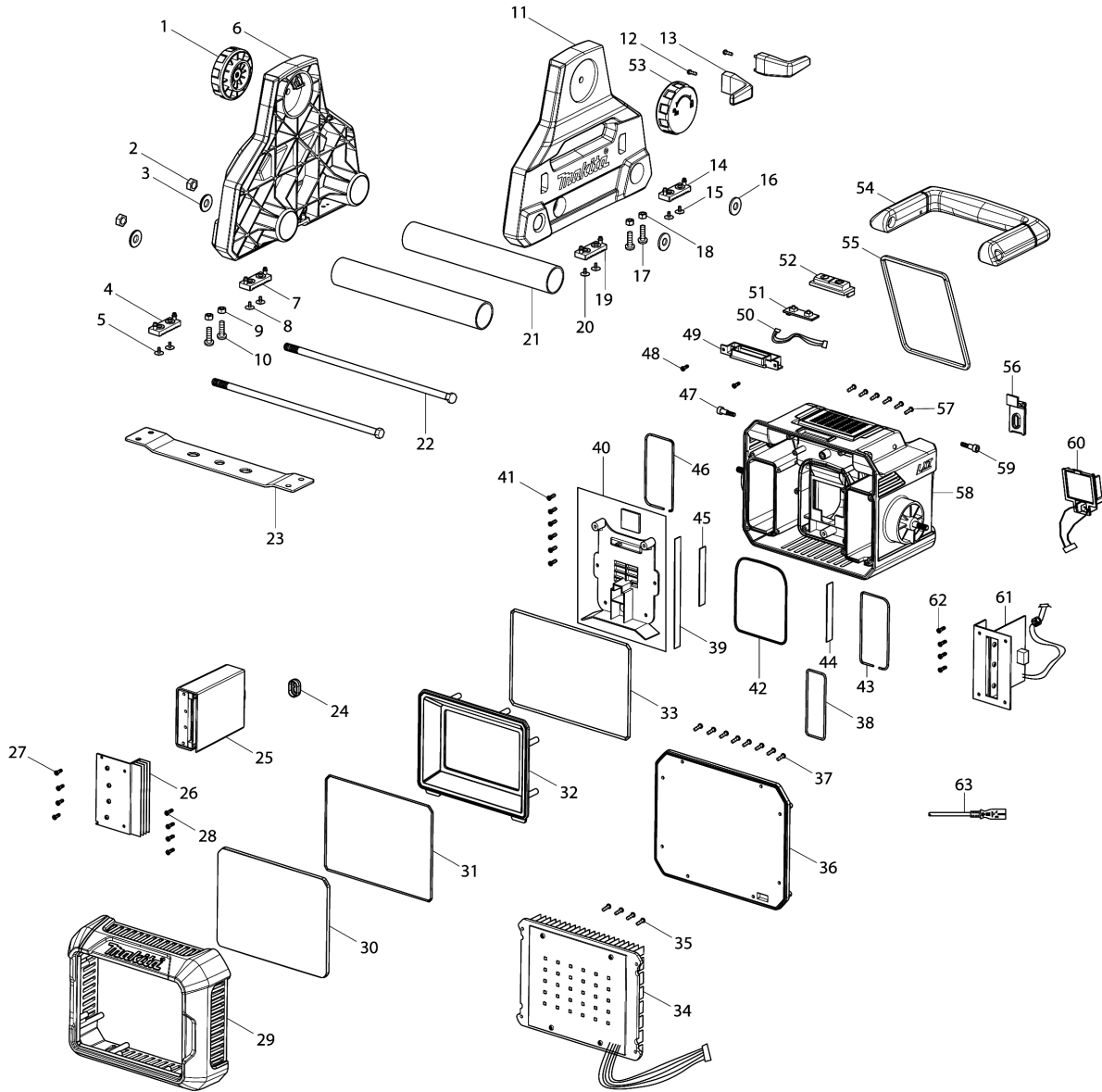


# Model No.DML811 CORDLESS WORKLIGHT



Model No.DML811 CORDLESS WORKLIGHT

分解圖號	零件編號	品名	交換	數量	New/Old	選擇1	選擇2	註記
001	GM00002160	LATCH KNOB ASSY		1				
002	GM00002158	NUT M8		2				
003	GM00002157	METAL OD20XID8.5X2MM		2				
004	GM00002154	RUBBER FOOT		1				
005	GM00002164	SCREW 3X6 PWB		2				
006	GM00002162	STAND LEFT ASSY		1				
007	GM00002154	RUBBER FOOT		1				
008	GM00002164	SCREW 3X6 PWB		2				
009	GM00002155	NUT M5		2				
010	GM00002156	SCREW 5X15 PM		2				
011	GM00002161	STAND RIGHT ASSY		1				
012	GM00002165	SCREW 3X18 PT		2				
013	GM00002159	AC POWER CORD HOOKS		2				
014	GM00002154	RUBBER FOOT		1				
015	GM00002164	SCREW 3X6 PWB		2				
016	GM00002157	METAL OD20XID8.5X2MM		2				
017	GM00002156	SCREW 5X15 PM		2				
018	GM00002155	NUT M5		2				
019	GM00002154	RUBBER FOOT		1				
020	GM00002164	SCREW 3X6 PWB		2				
021	GM00002153	STAND HOLDING TUBE		2				
022	GM00002152	METAL M8 BOLT		2				
023	GM00002151	BASE HOLDING PLATE		1				
024	GM00002150	AC SOCKET HOLDER O-RING		1				
025	GM00002146	UL/PSE - AC POWER ASSY		1	*			
025-1	GM00002146	UL/PSE - AC POWER ASSY	○	1				
026	GM00002145	AC POWER HEAT SINK ASSY		1				
027	GM00002149	SCREW 3X14 PB NI		4				
028	GM00002165	SCREW 3X18 PT		4				
029	GM00002114	FRONT COVER ASSY		1				
030	GM00002115	LENS ASSY		1				
031	GM00002116	LENS O-RING		1				
032	GM00002117	REFLECTOR ASSY		1				
033	GM00002118	RUBBER HEAT SINK O-RING A		1				
034	GM00002119	LED PCBA ASSY		1				
035	GM00002165	SCREW 3X18 PT		4				
036	GM00002120	MID-BODY COVER		1				

Please order the parts with part number.

Print Date 2020/6/5

Model No.DML811 CORDLESS WORKLIGHT

分解圖號	零件編號	品名	交換	數量	New/Old	選擇1	選擇2	註記
037	GM00002165	SCREW 3X18 PT		8				
038	GM00002133	MID-BODY O-RING		1				
039	GM00002166	EVA-B		1				
040	GM00002130	TERMINAL HOLDING PLATE ASSY		1				
041	GM00002165	SCREW 3X18 PT		6				
042	GM00002131	TERMINAL HOLDING PLATE O-RING		1				
043	GM00002132	MID-BODY O-RING		1				
044	GM00002134	EVA-B		1				
045	GM00002134	EVA-B		1				
046	GM00002132	MID-BODY O-RING		1				
047	GM00002137	INSIDE-HEX SCREW		1				
048	GM00002163	SCREW 3X14 PB NI		2	*			
048-1	GM00002149	SCREW 3X14 PB NI	○	2				
049	GM00002138	SWITCH HOLDER		1				
050	GM00002139	4P WAFER		1				
051	GM00002140	SWITCH PCBA ASSY		1				
052	GM00002141	SWITCH ASSY		1				
053	GM00002160	LATCH KNOB ASSY		1				
054	GM00002144	HANDLE ASSY		1				
055	GM00002143	LATCH O-RING		1				
056	GM00002142	AC SOCKET O-RING		1				
057	GM00002165	SCREW 3X18 PT		6				
058	GM00002136	MID-BODY ASSY		1				
059	GM00002137	INSIDE-HEX SCREW		1				
060	GM00002135	BATTERY HOLDER ASSY		1				
061	GM00002121	MAIN PCBA ASSY		1				
062	GM00002165	SCREW 3X18 PT		4				
063	GM00002129	TAIWAN AC POWER CORD		1				

Please order the parts with part number.

Print Date 2020/6/5