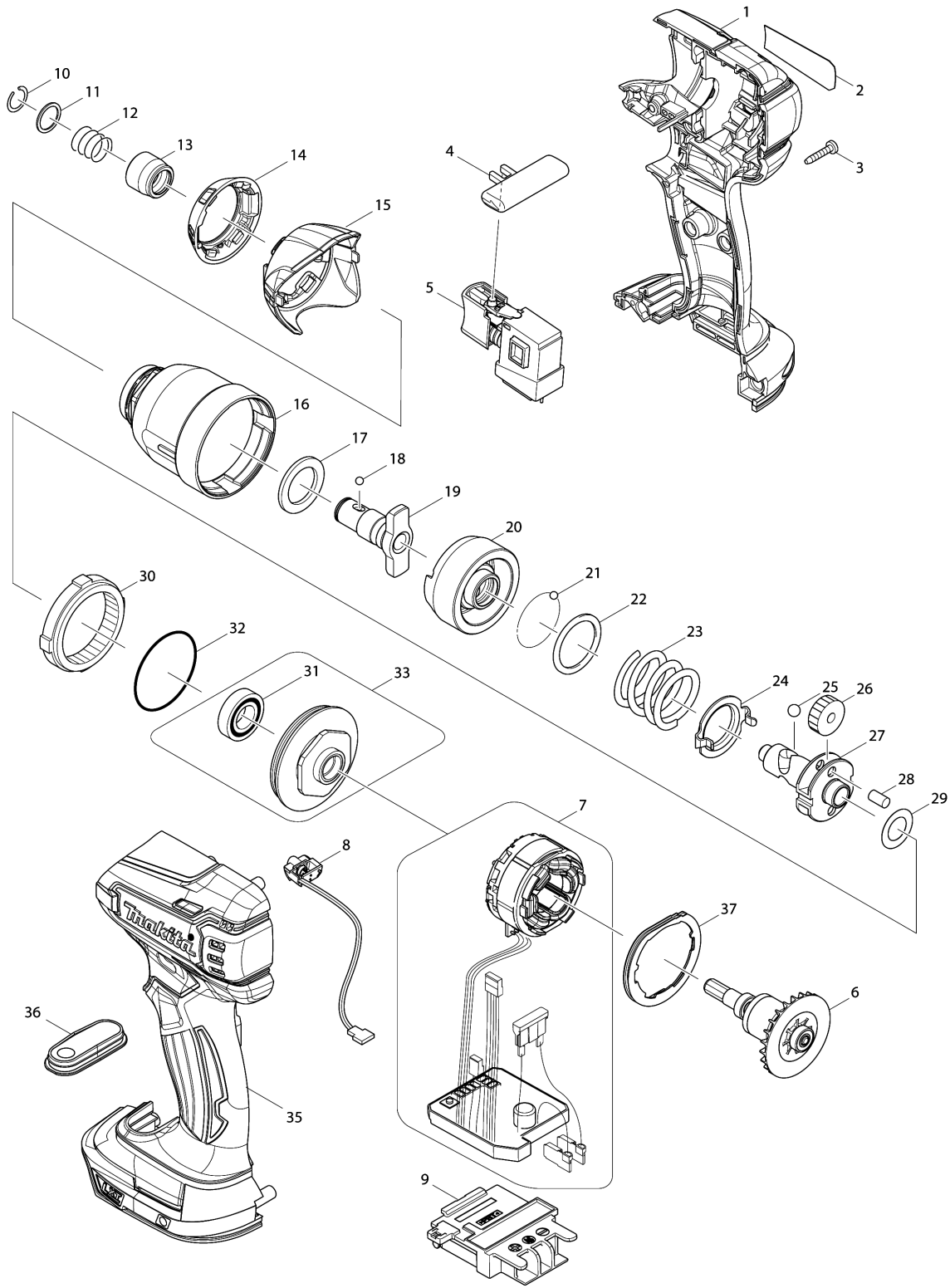


Model No.DTD147 CORDLESS IMPACT DRIVER



Model No.DTD147 CORDLESS IMPACT DRIVER

| 分解圖號 | 零件編號 | 品名 | 交換 | 數量 | New/Old | 選擇1 | 選擇2 | 註記 |
|--------|----------|--------------------------|----|----|---------|-----|-----|----|
| 001 | 187388-6 | 外殼組 F/BTD147 | | 1 | | | | |
| C10 | 263005-3 | 橡皮銷 6 | | 2 | | | | |
| D10 | | INC. 35 | | | | | | |
| 002 | 815F42-5 | DTD147 NAME PLATE | | 1 | | | | |
| 003 | 266130-9 | 螺絲 PT3X6 | | 9 | | | | |
| 004 | 419041-9 | 正逆切換桿 | | 1 | | | | |
| 005 | 141448-8 | 開關 | | 1 | | | | |
| C10 | 424496-5 | 章 | | 1 | | | | |
| 006C | 619297-6 | 轉子 C/619353-2 | | 1 | * | | | |
| 006D | 619297-6 | 轉子 C/619353-2 | | 1 | * | | | |
| 006-1C | 619353-2 | 直流馬達 | < | 1 | | | | |
| 006-1D | 619353-2 | 直流馬達 | < | 1 | | | | |
| 006-1E | 619353-2 | 直流馬達 | | 1 | | | | |
| 007 | 632A40-2 | 固定裝置 | | 1 | | | | |
| 008 | 620136-5 | L E D 電路 | | 1 | | | | |
| 009 | 643860-3 | 電池接端座 | | 1 | | | | |
| 010 | 231951-8 | 止動圈 11 | | 1 | | | | |
| 011 | 267085-1 | 墊片 12 | | 1 | | | | |
| 012 | 233005-7 | 彈簧 13 | | 1 | | | | |
| 013 | 326072-0 | 套筒 | | 1 | | | | |
| 014 | 424495-7 | 螢光環 F/BTD147 | | 1 | | | | |
| 015 | 453664-3 | 鏈箱蓋 F/BTD147 | | 1 | | | | |
| 016 | 141477-1 | 鏈箱蓋組 | | 1 | | | | |
| 017 | 261151-6 | 尼龍華司 19 | | 1 | | | | |
| 018 | 216001-0 | 鋼珠 3.5 | | 2 | | | | |
| 019 | 326070-4 | 鈦鐵 | | 1 | | | | |
| 020 | 326054-2 | 鏈 | | 1 | | | | |
| 021 | 216001-0 | 鋼珠 3.5 | | 24 | | | | |
| 022 | 267175-0 | F 華士 24 | | 1 | | | | |
| 023 | 234251-5 | 扭力彈簧 25 | | 1 | | | | |
| 024 | 346466-3 | 板 | | 1 | | | | |
| 025 | 216011-7 | 鋼珠 5.6 | | 2 | | | | |
| 026 | 227233-4 | 正齒輪22 F/BTD133RFE | | 2 | * | | | |
| 026-1 | 227362-3 | SPUR GEAR 22 | < | 2 | | | | |
| 027 | 326066-5 | 車心 | | 1 | | | | |
| 028 | 256253-1 | 銷5 | | 2 | | | | |
| 029 | 253362-7 | 薄華司 12 | | 1 | | | | |
| 030 | 227150-8 | 環型齒輪51 F/BTD130,TW251 | | 1 | | | | |
| 031C | 211140-1 | 軸承6901LLB | | 1 | * | | | |
| 031D | 211140-1 | 軸承6901LLB | | 1 | * | | | |

Model No.DTD147 CORDLESS IMPACT DRIVER

| 分解圖號 | 零件編號 | 品名 | 交換 | 數量 | New/Old | 選擇1 | 選擇2 | 註記 |
|--------|-----------|------------------------------|----|----|---------|-----|-----|----|
| 032 | 213507-9 | O圈 40 | | 1 | | | | |
| 033 | 158145-9 | 軸承座 F/BTW251 | | 1 | | | | |
| D10 | | INC. 31 | | | * | | | |
| D10 | | INC. 31 | | | * | | | |
| 035 | 187388-6 | 外殼組 F/BTD147 | | 1 | | | | |
| C10 | 263005-3 | 橡皮銷 6 | | 2 | | | | |
| D10 | | INC. 1 | | | | | | |
| 036 | 141583-2 | 開關板 | | 1 | * | | | |
| 036-1 | 141583-2 | 開關板 | < | 1 | | | | |
| 037 | 453665-1 | 板 F/BTD147 | | 1 | | | | |
| A01 | 346317-0 | 掛勾(大) | | 1 | | | | |
| A02 | 266622-8 | 螺絲M4X12 F/BTD145RFE | | 1 | | | | |
| A03C | ***DC18RC | 充電器C/195582-6 | | 1 | * | | | |
| A03E | ***DC18RC | 充電器C/195582-6 | | 1 | * | | | |
| A03-1C | ***DC18RC | 充電器C/195582-6 | < | 1 | | | | |
| A03-1E | ***DC18RC | 充電器C/195582-6 | < | 1 | | | | |
| A04C | 194204-5 | 電池 BL1830 | | 2 | * | | | |
| A04E | 196791-0 | 鋰電池BL1840 | | 2 | * | | | |
| A04-1C | 196789-7 | 鋰電池 BL1830 | O | 2 | * | | | |
| A04-1E | 196791-0 | 鋰電池BL1840 | O | 2 | * | | | |
| A04-2C | 196789-7 | 鋰電池 BL1830 | O | 2 | * | | | |
| A04-2E | 196976-8 | 鋰電池 BL1840*_盒裝 | < | 2 | * | | | |
| A04-3C | 196974-2 | 鋰電池 BL1830 | < | 2 | * | | | |
| A04-3E | 197272-7 | 鋰電池 顯示型 BL1840B | < | 2 | | | | |
| A04-4C | 197604-8 | 鋰電池 顯示型 BL1830B | < | 2 | | | | |
| A05C | 450128-8 | 電池保護蓋 | | 1 | | | | |
| A05E | 450128-8 | 電池保護蓋 | | 1 | | | | |
| A06C | 824979-9 | 塑膠工具箱 | | 1 | | | | |
| C10 | 162302-3 | 推板 | | 2 | | | | |
| C20 | 324319-6 | 桿 | | 1 | | | | |
| C30 | 451749-9 | 握把 | | 1 | | | | |
| A06E | 824979-9 | 塑膠工具箱 | | 1 | | | | |
| C10 | 162302-3 | 推板 | | 2 | | | | |
| C20 | 324319-6 | 桿 | | 1 | | | | |
| C30 | 451749-9 | 握把 | | 1 | | | | |
| A07C | 802U46-6 | DTD147RFE PLASTIC CASE LABEL | | 2 | | | | |
| A07E | 804R34-1 | DTD147RME PLASTIC CASE LABEL | | 2 | | | | |

Please order the parts with part number.

Print Date 2020/3/27