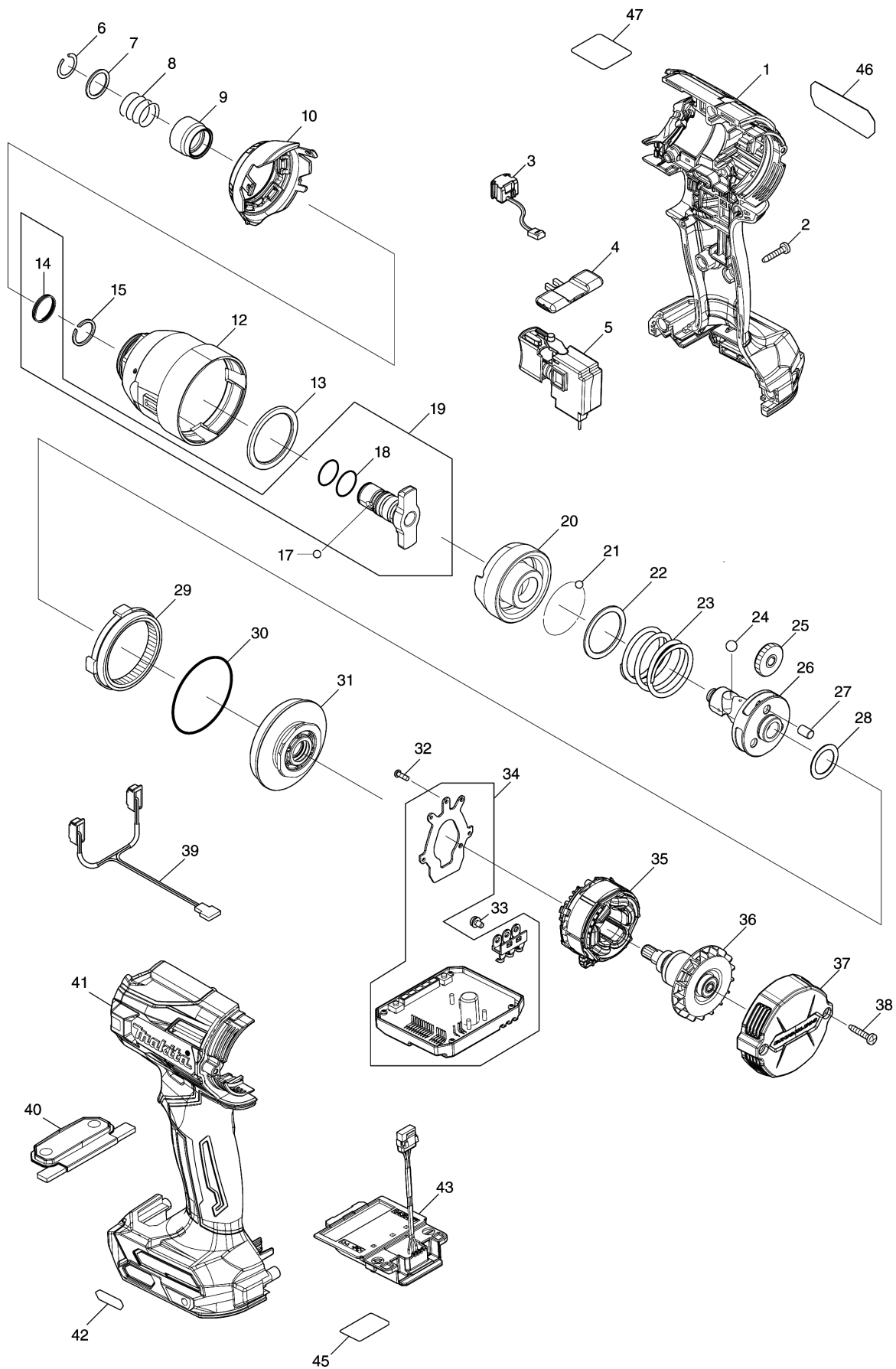


Model No. TD001G CORDLESS IMPACT DRIVER



Model No. TD001G CORDLESS IMPACT DRIVER

分解圖號	零件編號	品名	交換	數量	New/Old	選擇1	選擇2	註記
001A	183P56-5	HOUSING SET		1				
001B	183P56-5	HOUSING SET		1				
001C	183P57-3	HOUSING SET		1				
001D	183P57-3	HOUSING SET		1				
001E	183P58-1	HOUSING SET		1				
001F	183P59-9	HOUSING SET		1				
001G	183P73-5	HOUSING SET		1				
001H	183P74-3	HOUSING SET		1				
C10	263005-3	RUBBER PIN 6		2				
C20	252126-6	HEX. LOCK NUT M4-7		2				
C30	422616-5	SPONGE SHEET		1				
D10		INC. 41						
002	266130-9	TAPPING SCREW BIND PT 3X16		8				
003	632L84-8	SWITCH UNIT		1				
004	455053-8	F/R CHANGE LEVER		1				
005	651442-7	SWITCH C3JR-1A-1		1				
006	231952-6	RING SPRING 12		1				
007	267101-9	FLAT WASHER 14		1				
008	232592-3	COMPRESSION SPRING 14		1				
009	327530-9	BIT SLEEVE		1				
010	136171-8	HAMMER CASE COVER ASSY		1				
C10	422269-0	BUMPER		1				
012	140R47-1	HAMMER CASE COMPLETE		1				
C10	210177-5	BALL BEARING 68/14LLU		2				
C20	267063-1	FLAT WASHER 18		1				
C30	962113-4	RETAINING RING R-24		1				
013	261160-5	NYLON WASHER 30		1				
014A	232593-1	SPRING 12		1				
014B	232593-1	SPRING 12		1				
014C	232593-1	SPRING 12		1				
014D	232593-1	SPRING 12		1				
014E	232593-1	SPRING 12		1				
014F	232593-1	SPRING 12		1				
015	259075-8	RETAINING RING(EXT) WR-14		1				
017	216001-0	STEEL BALL 3.5		2				
018	213118-0	O RING 12		2				
019A	136211-2	ANVIL N ASSY		1				
019B	136211-2	ANVIL N ASSY		1				
019C	136211-2	ANVIL N ASSY		1				

019D	136211-2	ANVIL N ASSY		1			
019E	136211-2	ANVIL N ASSY		1			
019F	136211-2	ANVIL N ASSY		1			
019G	136168-7	ANVIL N ASSY		1			
019H	136168-7	ANVIL N ASSY		1			
D10		INC. 18					
020	327525-2	HAMMER		1			
021	216001-0	STEEL BALL 3.5		25			
022	267342-7	FLAT WASHER 26		1			
023	232591-5	COMPRESSION SPRING 25		1			
024	216013-3	STEEL BALL 6		2			
025	226960-0	SPUR GEAR 24		3			
026	327524-4	SPINDLE		1			
027	268311-1	PIN 5		3			
028	267194-6	FLAT WASHER 15		1			
029	226961-8	INTERNAL GEAR 56		1			
030	213892-0	O-RING 43		1			
031	140R48-9	BEARING BOX COMPLETE		1			
032	266490-9	TAPPING SCREW PT 2X6		3			
033	652069-6	FLAT HEAD SCREW M3X6		3			
034	620B96-3	CONTROLLER		1			
035	629464-5	STATOR		1			
036	619605-1	ROTOR		1			
037A	412339-3	REAR COVER		1			
037B	412339-3	REAR COVER		1			
037C	412340-8	REAR COVER		1			
037D	412340-8	REAR COVER		1			
037E	412402-2	REAR COVER		1			
037F	412403-0	REAR COVER		1			
037G	412404-8	REAR COVER		1			
037H	412405-6	REAR COVER		1			
038	266130-9	TAPPING SCREW BIND PT 3X16		2			
039	620B97-1	LED CIRCUIT		1			
040A	140R54-4	SWITCH PLATE COMPLETE		1			
C10	8011F4-1	SWITCH LABEL		1			
040B	140R54-4	SWITCH PLATE COMPLETE		1			
C10	8011F4-1	SWITCH LABEL		1			
040C	140R54-4	SWITCH PLATE COMPLETE		1			
C10	8011F4-1	SWITCH LABEL		1			
040D	140R54-4	SWITCH PLATE COMPLETE		1			
C10	8011F4-1	SWITCH LABEL		1			
040E	140R54-4	SWITCH PLATE COMPLETE		1			
C10	8011F4-1	SWITCH LABEL		1			
040F	140R54-4	SWITCH PLATE COMPLETE		1			

C10	8011F4-1	SWITCH LABEL	1				
040G	140V40-9	SWITCH PLATE COMPLETE	1				
C10	8016A7-0	SWITCH LABEL	1				
040H	140V41-7	SWITCH PLATE COMPLETE	1				
C10	8016A8-8	SWITCH LABEL	1				
041A	183P56-5	HOUSING SET	1				
041B	183P56-5	HOUSING SET	1				
041C	183P57-3	HOUSING SET	1				
041D	183P57-3	HOUSING SET	1				
041E	183P58-1	HOUSING SET	1				
041F	183P59-9	HOUSING SET	1				
041G	183P73-5	HOUSING SET	1				
041H	183P74-3	HOUSING SET	1				
C10	263005-3	RUBBER PIN 6	2				
C20	252126-6	HEX. LOCK NUT M4-7	2				
C30	422616-5	SPONGE SHEET	1				
D10		INC. 1					
042	8007R2-2	XGT LOGO LABEL	1				
043	632P49-4	TERMINAL UNIT	1				
044	163400-6	HANDSTRAP	1				
045	856V15-5	TD001G SERIAL NO. LABEL	1				
046	856V08-2	TD001G NAME PLATE	1				
A01	266622-8	+ TRUSS HEAD SCREW M4X12	1				
A02	346317-0	HOOK	1				
A03A	B-66721	TWIST TORSIONBIT PH2-65 1PC	1				
A03B	B-66721	TWIST TORSIONBIT PH2-65 1PC	1				
A03C	B-66721	TWIST TORSIONBIT PH2-65 1PC	1				
A03D	B-66721	TWIST TORSIONBIT PH2-65 1PC	1				
A03E	B-66737	TWIST TORSIONBIT PH2-90 1PC	1				
A03F	B-66737	TWIST TORSIONBIT PH2-90 1PC	1				
A03G	B-66737	TWIST TORSIONBIT PH2-90 1PC	1				
A03H	B-66737	TWIST TORSIONBIT PH2-90 1PC	1				
A04B	412393-7	BATTERY COVER	1				
A04D	412393-7	BATTERY COVER	1				
A04E	412393-7	BATTERY COVER	1				
A04F	412393-7	BATTERY COVER	1				
A04G	412393-7	BATTERY COVER	1				
A04H	412393-7	BATTERY COVER	1				

A05B	191B40-2	BATTERY BL4025 SET		2			
A05D	191B40-2	BATTERY BL4025 SET		2			
A05E	191B40-2	BATTERY BL4025 SET		2			
A05F	191B40-2	BATTERY BL4025 SET		2			
A05G	191B40-2	BATTERY BL4025 SET		2			
A05H	191B40-2	BATTERY BL4025 SET		2			
A06B	***DC40RA	DC40RA FAST CHARGER		1			
D10		COMPO-PARTS					
A06D	***DC40RA	DC40RA FAST CHARGER		1			
D10		COMPO-PARTS					
A06E	***DC40RA	DC40RA FAST CHARGER		1			
D10		COMPO-PARTS					
A06F	***DC40RA	DC40RA FAST CHARGER		1			
D10		COMPO-PARTS					
A06G	***DC40RA	DC40RA FAST CHARGER		1			
D10		COMPO-PARTS					
A06H	***DC40RA	DC40RA FAST CHARGER		1			
D10		COMPO-PARTS					
A07B	821811-8	PLASTIC CASE		1			
C10	458362-4	LATCH		3			
C20	324679-6	SHAFT		1			
C30	458363-2	HANDLE		1			
A07D	821811-8	PLASTIC CASE		1			
C10	458362-4	LATCH		3			
C20	324679-6	SHAFT		1			
C30	458363-2	HANDLE		1			
A07E	821811-8	PLASTIC CASE		1			
C10	458362-4	LATCH		3			
C20	324679-6	SHAFT		1			
C30	458363-2	HANDLE		1			
A07F	821811-8	PLASTIC CASE		1			
C10	458362-4	LATCH		3			
C20	324679-6	SHAFT		1			
C30	458363-2	HANDLE		1			
A07G	821811-8	PLASTIC CASE		1			
C10	458362-4	LATCH		3			
C20	324679-6	SHAFT		1			
C30	458363-2	HANDLE		1			
A07H	821811-8	PLASTIC CASE		1			
C10	458362-4	LATCH		3			
C20	324679-6	SHAFT		1			
C30	458363-2	HANDLE		1			
A08B	8011K6-2	TD001GD203 PLASTIC CASE LABEL		2			
		TD001GD204 PLASTIC					

A08D	8011K7-0	CASE LABEL		2				
A08E	8012K6-8	TD001GD205 PLASTIC CASE LABEL		2				
A08F	8012K7-6	TD001GD206 PLASTIC CASE LABEL		2				
A08G	8016V1-9	TD001GD207 PLASTIC CASE LABEL		2				
A08H	8016V3-5	TD001GD208 PLASTIC CASE LABEL		2				

Please order the parts with part number.

Print Date 2019/12/10