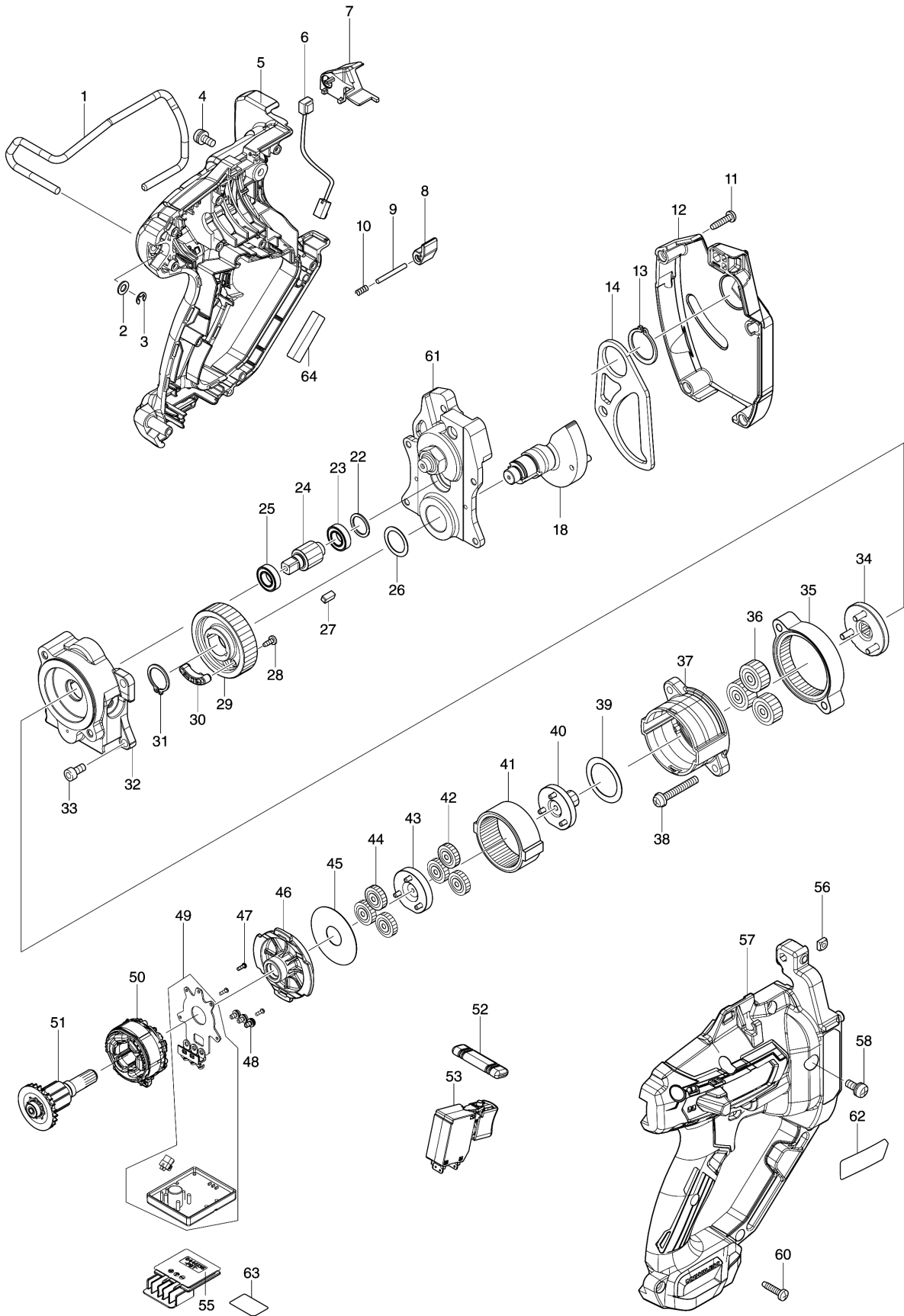


Model No.SC103D CORDLESS THREADED ROD CUTTER



Model No.SC103D CORDLESS THREADED ROD CUTTER

| 分解圖號 | 零件編號 | 品名 | 交換 | 數量 | New/Old | 選擇1 | 選擇2 | 註記 |
|------|----------|------------------------|----|----|---------|-----|-----|----|
| 001 | 281019-0 | HOOK | | 1 | | | | |
| 002 | 941102-2 | F 華士 5 | | 1 | | | | |
| 003 | 961011-9 | 擋圈 E-4 | | 1 | | | | |
| 004 | 911213-7 | 螺絲M5X12 | | 1 | | | | |
| 005 | 183N49-0 | HOUSING SET | | 1 | | | | |
| C10 | 263002-9 | 橡皮銷 4 | | 3 | | | | |
| C20 | 263005-3 | 橡皮銷 6 | | 1 | | | | |
| C30 | 816U42-8 | INDICATION LABEL | | 1 | | | | |
| C40 | 816V02-6 | CAUTION LABEL | | 1 | | | | |
| D10 | | INC. 57 | | | | | | |
| 006 | 620C15-5 | LED CIRCUIT | | 1 | | | | |
| 007 | 458373-9 | LED HOLDER | | 1 | | | | |
| 008 | 458379-7 | SCREW GUIDE | | 1 | | | | |
| 009 | 256267-0 | PIN 3 | | 1 | | | | |
| 010 | 231403-9 | 彈簧 3 F/HK1800 | | 1 | | | | |
| 011 | 265995-6 | 攻牙螺絲 4X18 | | 4 | | | | |
| 012 | 140B24-7 | FRONT COVER COMPLETE | | 1 | | | | |
| C10 | 816U44-4 | CAUTION LABEL | | 1 | | | | |
| 013 | 961104-2 | 擋圈 S-24 | | 1 | | | | |
| 014 | 347350-5 | RETURN PLATE | | 1 | | | | |
| 018 | 144986-9 | CAM COMPLETE | | 1 | | | | |
| 022 | 267447-3 | 平華司 14 | | 1 | | | | |
| 023 | 211485-7 | BALL BEARING 6800LLU | | 1 | | | | |
| 024 | 226168-6 | SPUR GEAR 10C | | 1 | | | | |
| 025 | 211485-7 | BALL BEARING 6800LLU | | 1 | | | | |
| 026 | 253409-7 | FLAT WASHER 17 | | 1 | | | | |
| 027 | 254202-2 | 鍵4 | | 2 | | | | |
| 028 | 265954-0 | 螺絲 PT3X8 | | 2 | | | | |
| 029 | 226169-4 | SPUR GEAR 39 | | 1 | | | | |
| 030 | 144990-8 | MAGNET HOLDER COMPLETE | | 1 | | | | |
| 031 | 961057-5 | 擋圈 S-17 | | 1 | | | | |
| 032 | 144992-4 | GEAR COVER COMLPETE | | 1 | | | | |
| 033 | 922212-4 | 螺栓 M5X12 | | 4 | | | | |
| 034 | 144989-3 | CARRIER COMPLETE | | 1 | | | | |
| 035 | 226166-0 | INTERNAL GEAR 48 | | 1 | | | | |
| 036 | 226165-2 | SPUR GEAR 19 | | 3 | | | | |
| 037 | 458374-7 | GEAR HOUSING | | 1 | | | | |
| 038 | 911258-5 | 螺絲 M5X35 | | 2 | | | | |
| 039 | 253792-2 | 平板墊片26 | | 1 | | | | |
| 040 | 144988-5 | SPUR GEAR 9 COMPLETE | | 1 | | | | |

Please order the parts with part number.

Print Date 2019/12/17

Model No.SC103D CORDLESS THREADED ROD CUTTER

| 分解圖號 | 零件編號 | 品名 | 交換 | 數量 | New/Old | 選擇1 | 選擇2 | 註記 |
|------|----------|-----------------------------|----|----|---------|-----|-----|----|
| 041 | 226164-4 | INTERNAL GEAR 53 | | 1 | | | | |
| 042 | 226163-6 | SPUR GEAR 21 | | 3 | | | | |
| 043 | 144987-7 | SPUR GEAR 10B COMPLETE | | 1 | | | | |
| 044 | 226163-6 | SPUR GEAR 21 | | 3 | | | | |
| 045 | 253410-2 | FLAT WASHER 15 | | 1 | | | | |
| 046 | 458375-5 | GEAR HOUSING COVER | | 1 | | | | |
| 047 | 266490-9 | 盤頭螺絲 PT 2X6 | | 3 | | | | |
| 048 | 652069-6 | 平頭螺絲M3X6 | | 3 | | | | |
| 049 | 620C14-7 | CONTROLLER | | 1 | | | | |
| 050 | 629448-3 | STATOR | | 1 | | | | |
| 051 | 619512-8 | ROTOR | | 1 | | | | |
| 052 | 458378-9 | F/R CHANGE LEVER | | 1 | | | | |
| 053 | 651367-5 | SWITCH C3JW-2CM | | 1 | | | | |
| 055 | 644813-5 | 端子 | | 1 | | | | |
| 056 | 252173-7 | SQUARE NUT | | 1 | | | | |
| 057 | 183N49-0 | HOUSING SET | | 1 | | | | |
| C10 | 263002-9 | 橡皮銷 4 | | 3 | | | | |
| C20 | 263005-3 | 橡皮銷 6 | | 1 | | | | |
| C30 | 816U42-8 | INDICATION LABEL | | 1 | | | | |
| C40 | 816V02-6 | CAUTION LABEL | | 1 | | | | |
| D10 | | INC. 5 | | | | | | |
| 058 | 911213-7 | 螺絲M5X12 | | 1 | | | | |
| 060 | 265995-6 | 攻牙螺絲 4X18 | | 10 | | | | |
| 061 | 126984-5 | CUTTING ARM ASSEMBLY | | 1 | | | | |
| 062 | 856M93-1 | SC103D NAME PLATE | | 1 | | | | |
| 063 | 856M99-9 | SC103D SERIAL NO. LABEL | | 1 | | | | |
| A01 | 271445-1 | THUMB SCREW M4X10 | | 1 | | | | |
| A02 | 415486-9 | 定位桿 | | 1 | | | | |
| A03 | 458380-2 | BLADE COVER | | 1 | | | | |
| A04 | 783202-0 | 六角板手 4 | | 1 | | | | |
| A05 | 922202-7 | H.S.H.螺絲 M5X8 | | 2 | | | | |
| A06 | 199081-0 | CUTTER BLADE 3/8 SET | | 1 | | | | |
| A11 | 821550-0 | 工具箱-堆疊型 2 | | 1 | | | | |
| C10 | 453974-8 | 塑膠箱門鎖 | | 4 | | | | |
| A12 | 835E29-5 | INNER TRAY | | 1 | | | | |
| A13 | 8007N2-4 | SC103DZJ PLASTIC CASE LABEL | | 2 | | | | |
| A14 | 8007N1-6 | SC103DZJ INDICATION LABEL | | 1 | | | | |

Please order the parts with part number.

Print Date 2019/12/17