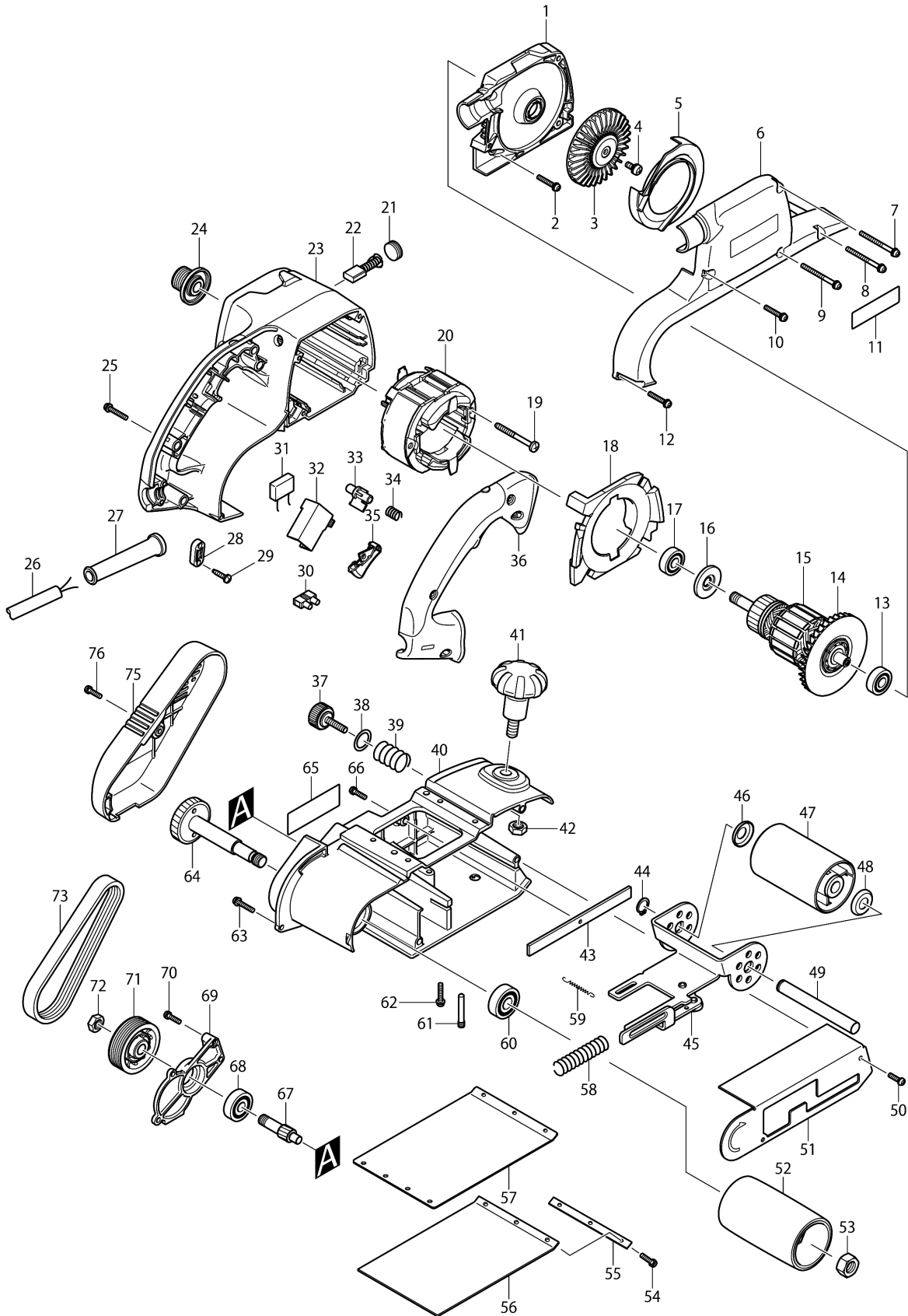


Model No.MT940 BELT SANDER 100MM



Model No.MT940 BELT SANDER 100MM

| 分解圖號 | 零件編號 | 品名 | 交換 | 數量 | New/Old | 選擇1 | 選擇2 | 註記 |
|-------|----------|---------------------|----|----|---------|-----|-----|----|
| 001 | 318075-8 | 集塵風穴 F/MT940 | | 1 | | | | |
| 002 | 265101-3 | 螺絲M4X25 F/MT_SYS | | 2 | | | | |
| 003 | 241662-7 | 風葉 80 | | 1 | | | | |
| 004 | 265170-4 | 螺絲 | | 1 | | | | |
| 005 | 419580-9 | 分隔器 | | 1 | | | | |
| 006 | 188254-0 | 集塵蓋 F/MT940 | | 1 | | | | |
| D10 | | INC. 11 | | | | | | |
| 007 | 265169-9 | 螺絲 | | 1 | | | | |
| 008 | 265169-9 | 螺絲 | | 1 | | | | |
| 009 | 265169-9 | 螺絲 | | 1 | | | | |
| 010 | 265101-3 | 螺絲M4X25 F/MT_SYS | | 1 | | | | |
| 011 | 819227-9 | 標籤 F/MT940 | | 1 | | | | |
| 012 | 265101-3 | 螺絲M4X25 F/MT_SYS | | 1 | | | | |
| 013 | 210067-2 | 滾珠軸承 6000ZZ | | 1 | * | | | |
| 013-1 | 211062-5 | 培林 6000ZZ | < | 1 | | | | |
| 014 | 240013-1 | 風葉 84 | | 1 | | | | |
| 015 | 516986-3 | 馬達心 F/MT940 | | 1 | * | | | |
| D10 | | INC. 13,14,16,17 | | | * | | | |
| 015-1 | 510129-9 | ARMATURE ASS'Y 115V | < | 1 | * | | | |
| D10 | | INC. 13,14,16,17 | | | * | | | |
| 015-2 | 510223-7 | 馬達心 | < | 1 | | | | |
| D10 | | INC. 13,14,16,17 | | | | | | |
| 016 | 681649-1 | 絕緣華士 | | 1 | | | | |
| 017 | 210067-2 | 滾珠軸承 6000ZZ | | 1 | * | | | |
| 017-1 | 211062-5 | 培林 6000ZZ | < | 1 | | | | |
| 018 | 419583-3 | 風葉座 F/MT940 | | 1 | | | | |
| 019 | 266397-9 | 自攻螺絲 | | 2 | | | | |
| 020 | 596296-4 | 外線圈 115V | | 1 | | | | |
| C10 | 654220-4 | 碳刷座圈 | | 2 | * | | | |
| C11 | 654449-2 | RING TERMINAL | O | 2 | | | | |
| C20 | 654501-6 | 連接頭 P-1.25 | | 2 | * | | | |
| C21 | 654485-8 | PARALLEL SPLICE | > | 2 | | | | |
| 021 | 643650-4 | 碳刷座蓋 6.5-13.5 | | 2 | * | | | |
| 021-1 | 643650-4 | 碳刷座蓋 6.5-13.5 | O | 2 | | | | |
| 022 | 181047-4 | 碳刷 CB-154 | | 1 | | | | |
| 023 | 158071-2 | 馬達座 F/MT940 | | 1 | | | | |
| C10 | 643653-8 | 碳刷座 6.5-13.5 | | 2 | | | | |
| 024 | 222168-4 | 皮帶盤 | | 1 | | | | |
| 025 | 265101-3 | 螺絲M4X25 F/MT_SYS | | 4 | | | | |
| 026 | 693504-5 | 電線 1.25-2-2.0 | | 1 | * | | | |
| 026-1 | 693504-5 | 電線 1.25-2-2.0 | < | 1 | | | | |

Model No.MT940 BELT SANDER 100MM

| 分解圖號 | 零件編號 | 品名 | 交換 | 數量 | New/Old | 選擇1 | 選擇2 | 註記 |
|-------|----------|-------------------------|----|----|---------|-----|-----|----|
| 027 | 682574-9 | 電線保護套 10-90 | | 1 | | | | |
| 028 | 687149-9 | 電線固定片 | | 1 | | | | |
| 029 | 266326-2 | 螺絲 M4X18 | | 2 | | | | |
| 031 | 645223-9 | 噪音防止器 F/MT360,958 | | 1 | * | | | |
| 031-1 | 645240-9 | 噪音防止器 | ○ | 1 | | | | |
| 032 | 650545-4 | 啟動開關 | | 1 | | | | |
| 033 | 418871-5 | 固定鈕 | | 1 | | | | |
| 034 | 233423-9 | 扭力彈簧 9 | | 1 | | | | |
| 035 | 418873-1 | 開關桿 | | 1 | | | | |
| 036 | 419582-5 | 把手外殼 F/MT940 | | 1 | | | | |
| 037 | 265763-7 | 螺絲 M6X25 | | 1 | | | | |
| 038 | 267356-6 | 華士 | | 1 | | | | |
| 039 | 231225-7 | 彈簧 16 | | 1 | | | | |
| 040 | 158070-4 | 車架 | | 1 | | | | |
| 041 | 271325-1 | 把手頭 55 | | 1 | | | | |
| 042 | 252172-9 | 六角螺母 M10 | | 1 | | | | |
| 043 | 345726-0 | 滑體 | | 1 | | | | |
| 044 | 961052-5 | 擋圈 S-12 | | 1 | | | | |
| 045 | 163398-7 | 張緊輥托架 | | 1 | * | | | |
| 045-1 | 163477-1 | 張力滾臂筒 | ○ | 1 | | | | |
| 046 | 253922-5 | L 華士 12 | | 1 | | | | |
| 047 | 150978-8 | 張力滾筒 | | 1 | * | | | |
| C10 | 214116-7 | 合銅12 F/MT940 | | 2 | * | | | |
| C20 | 421044-1 | 海棉 42-47 | | 1 | * | | | |
| 047-1 | 142719-6 | TENSION ROLLER COMPLETE | ○ | 1 | | | | |
| C10 | 214116-7 | 合銅12 F/MT940 | | 2 | | | | |
| C20 | 424614-5 | SPONGE SHEET 42-42 | | 1 | | | | |
| 048 | 253922-5 | L 華士 12 | | 1 | | | | |
| 049 | 323829-0 | 張力滾筒車心 | | 1 | | | | |
| 050 | 265112-8 | 螺絲 M4X18 | | 2 | | | | |
| 051 | 344622-9 | 安全蓋 | | 1 | | | | |
| 052 | 162248-3 | 驅動滾筒 | | 1 | | | | |
| 053 | 252087-0 | 六角螺帽 M12-19 | | 1 | | | | |
| 054 | 265112-8 | 螺絲 M4X18 | | 3 | | | | |
| 055 | 344623-7 | 華士 | | 1 | | | | |
| 056 | 421648-9 | 碳素板 | | 1 | * | | | |
| 056-1 | 424057-1 | 碳板 | ○ | 1 | | | | |
| 057 | 421093-8 | 軟木板 F/9401 | | 1 | * | | | |
| 057-1 | 424058-9 | 軟木板 | ○ | 1 | * | | | |
| 057-2 | 424058-9 | 軟木板 | ○ | 1 | | | | |

Model No.MT940 BELT SANDER 100MM

| 分解圖號 | 零件編號 | 品名 | 交換 | 數量 | New/Old | 選擇1 | 選擇2 | 註記 |
|-------|----------|------------------|----|----|---------|-----|-----|----|
| 058 | 233235-0 | 扭力彈簧 12 | | 1 | | | | |
| 059 | 231819-8 | 拉緊彈簧 4 | | 1 | | | | |
| 060 | 211145-1 | 軸承 6201ZZ | | 1 | * | | | |
| 060-1 | 211106-1 | 軸承 6201LLB | < | 1 | | | | |
| 061 | 321980-0 | 固定銷 | | 1 | | | | |
| 062 | 265147-9 | 螺絲M4X22 F/MT958 | | 4 | | | | |
| 063 | 265147-9 | 螺絲M4X22 F/MT958 | | 1 | | | | |
| 064 | 158072-0 | 螺旋齒輪 42 | | 1 | | | | |
| 065 | 863347-1 | 型牌 F/MT940 | | 1 | | | | |
| 066 | 265112-8 | 螺絲 M4X18 | | 1 | | | | |
| 067 | 226634-3 | 螺旋齒輪 10 | | 1 | | | | |
| 068 | 210070-3 | 軸承 6200ZZ | | 1 | * | | | |
| 068-1 | 211066-7 | 培林 6200LLB | < | 1 | | | | |
| 069 | 318074-0 | 齒輪箱蓋 | | 1 | | | | |
| 070 | 265112-8 | 螺絲 M4X18 | | 3 | | | | |
| 071 | 222169-2 | 皮帶盤 6-52.9 | | 1 | | | | |
| 072 | 252172-9 | 六角螺母 M10 | | 1 | | | | |
| 073 | 225021-3 | 皮帶 6-355 F/9401 | | 1 | * | | | |
| 073-1 | 225091-2 | 皮帶 6-355 | ○ | 1 | | | | |
| 075 | 419581-7 | 皮帶蓋 | | 1 | | | | |
| 076 | 265112-8 | 螺絲 M4X18 | | 1 | | | | |
| A01 | 135132-5 | 集塵袋組 | | 1 | | | | |
| C10 | 419876-8 | 扣件 | | 1 | | | | |
| A02 | 345729-4 | 台架 | | 1 | | | | |
| A03 | 742424-1 | 砂帶 F/MT940 | | 1 | * | | | |
| A03-1 | 742322-9 | 砂帶 610-80 | ○ | 1 | * | | | |
| A03-2 | 794135-4 | 砂布紙帶AA80 100X610 | < | 1 | | | | |
| A04 | 421648-9 | 碳素板 | | 1 | * | | | |
| A04-1 | 424057-1 | 碳板 | ○ | 1 | | | | |

Please order the parts with part number.

Print Date 2019/12/31