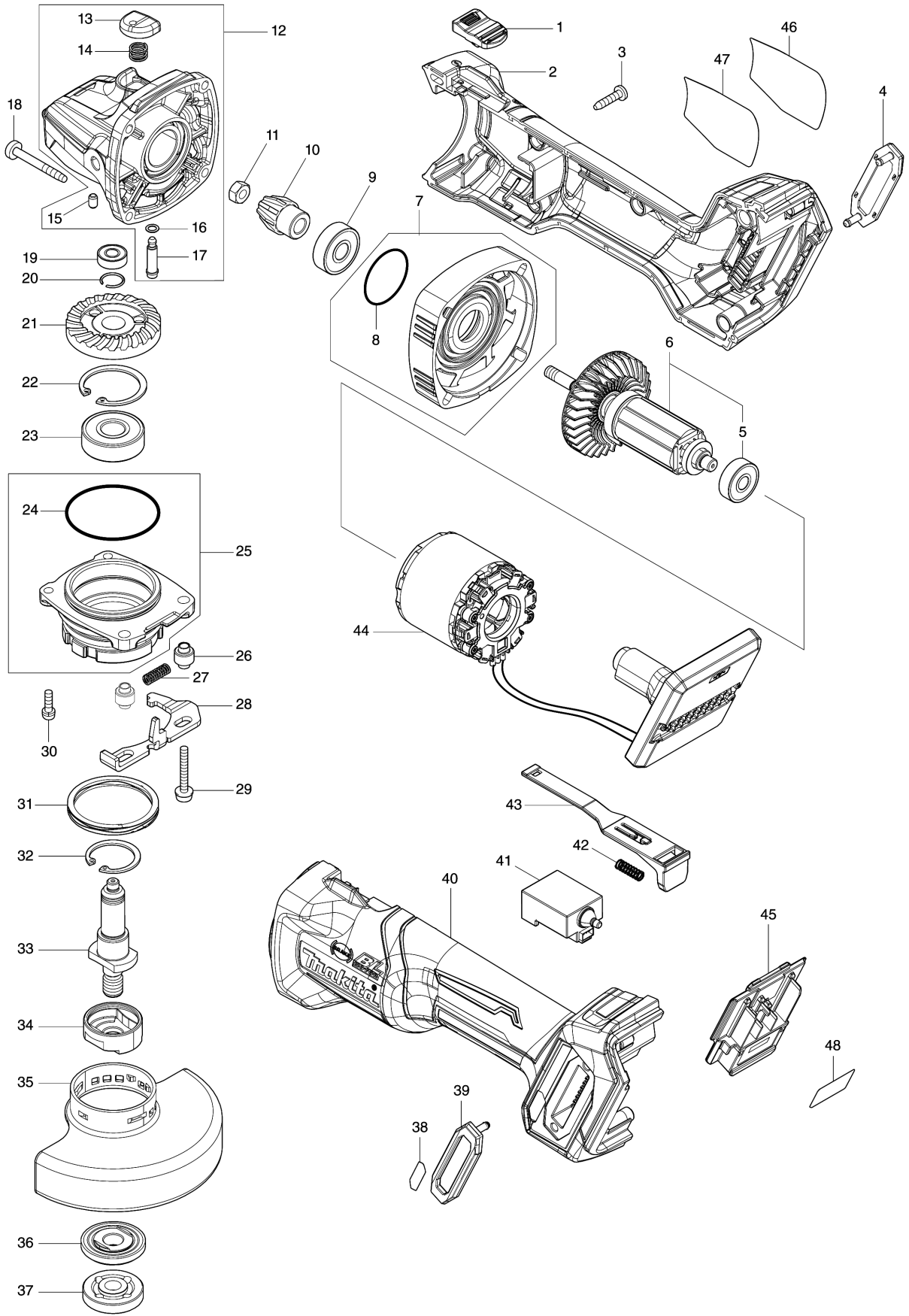


Model No.GA003G 100MM CORDLESS ANGLE GRINDER



Model No.GA003G 100MM CORDLESS ANGLE GRINDER

分解圖號	零件編號	品名	交換	數量	New/Old	選擇1	選擇2	註記
001	455447-7	SWITCH KNOB		1				
002	183N63-6	MOTOR HOUSING SET		1				
C10	263005-3	RUBBER PIN 6		2				
D10		INC. 40						
003	266326-2	TAPPING SCREW 4X18		5				
004	422563-0	DUST COVER		1				
005	210023-2	BALL BEARING 627DDW		1				
006	519595-7	ROTOR ASS'Y		1				
D10		INC. 5						
007	136190-4	GEAR HOUSING COVER ASS'Y		1				
D10		INC. 8						
008	213445-5	O-RING 26		1				
009	210042-8	BALL BEARING 629LLB		1				
010	226976-5	SPIRAL BEVEL GEAR 10		1				
011	252186-8	HEX. NUT M6		1				
012	136198-8	GEAR HOUSING ASS'Y		1				
D10		INC. 13-17						
013	412234-7	PIN CAP		1				
014	233072-2	COMPRESSION SPRING 8		1				
015	263002-9	RUBBER PIN 4		1				
016	213960-9	O RING 5		1				
017	256546-6	SHOULDER PIN 4		1				
018	266048-4	TAPPING SCREW 4X40		4				
019	210006-2	BALL BEARING 696ZZ		1				
020	233950-6	RING SPRING 11		1				
021	226862-0	SPIRAL BEVEL GEAR 37		1				
022	962151-6	RETAINING RING R-32		1				
023	211129-9	BALL BEARING 6201DDW		1				
024	213622-9	O RING 45		1				
025	136197-0	BEARING BOX ASS'Y		1				
D10		INC. 24						
026	327322-6	SLEEVE 4		2				
027	232490-1	COMPRESSION SPRING 4		1				
028	347641-4	LEVER B		1				
029	911159-7	PAN HEAD SCREW M4X30		2				
030	911138-5	PAN HEAD SCREW M4X20		2				
031	232542-8	SCROW WAVE SPRING 41		1				
032	962105-3	RETAINING RING R-26		1				
033	326669-5	SPINDLE		1				
034	310516-0	LEAD FLANGE B		1				

Please order the parts with part number.

Print Date 2019/12/12

Model No.GA003G 100MM CORDLESS ANGLE GRINDER

分解圖號	零件編號	品名	交換	數量	New/Old	選擇1	選擇2	註記
035	140N04-5	WHEEL COVER 100T COMPLETE		1				
036	224492-1	INNER FLANGE 29B		1				
037	224493-9	LOCK NUT 10-29		1				
038	8007R2-2	XGT LOGO LABEL		1				
039	422563-0	DUST COVER		1				
040	183N63-6	MOTOR HOUSING SET		1				
C10	263005-3	RUBBER PIN 6		2				
D10		INC. 2						
041	651445-1	SWITCH FPM-1130		1				
042	233121-5	COMPRESSION SPRING 4		1				
043	412233-9	SWITCH LEVER		1				
044	629458-0	STATOR COMPLETE		1				
045	632P65-6	TERMINAL UNIT		1				
046	8008U5-3	CLEAR LABEL		1				
047	856T91-7	GA003G NAME PLATE		1				
048	856T94-1	GA003G SERIAL NO. LABEL		1				
A01	158237-4	GRIP 36 COMPLETE		1				
A02	B-52392	FLEXIBLE GRINDING WHEEL100X4.0		1				
A03	782420-7	LOCK NUT WRENCH 20		1				
A04B	412393-7	BATTERY COVER		2				
A05B	***DC40RA	DC40RA FAST CHARGER		1				
D10		COMPO-PARTS						
A06B	191B30-5	BATTERY BL4040 SET		2				
A07B	821552-6	CONNECTOR PLASTIC CASE (TYPE4)		1				
C10	453974-8	LATCH		4				
A08B	8011B2-7	GA003GM201 INDICATION LABEL		1				
A09B	8011B3-5	GA003GM201 PLASTIC CASE LABEL		2				
A10B	835E79-0	INNER TRAY		1				

Please order the parts with part number.

Print Date 2019/12/12