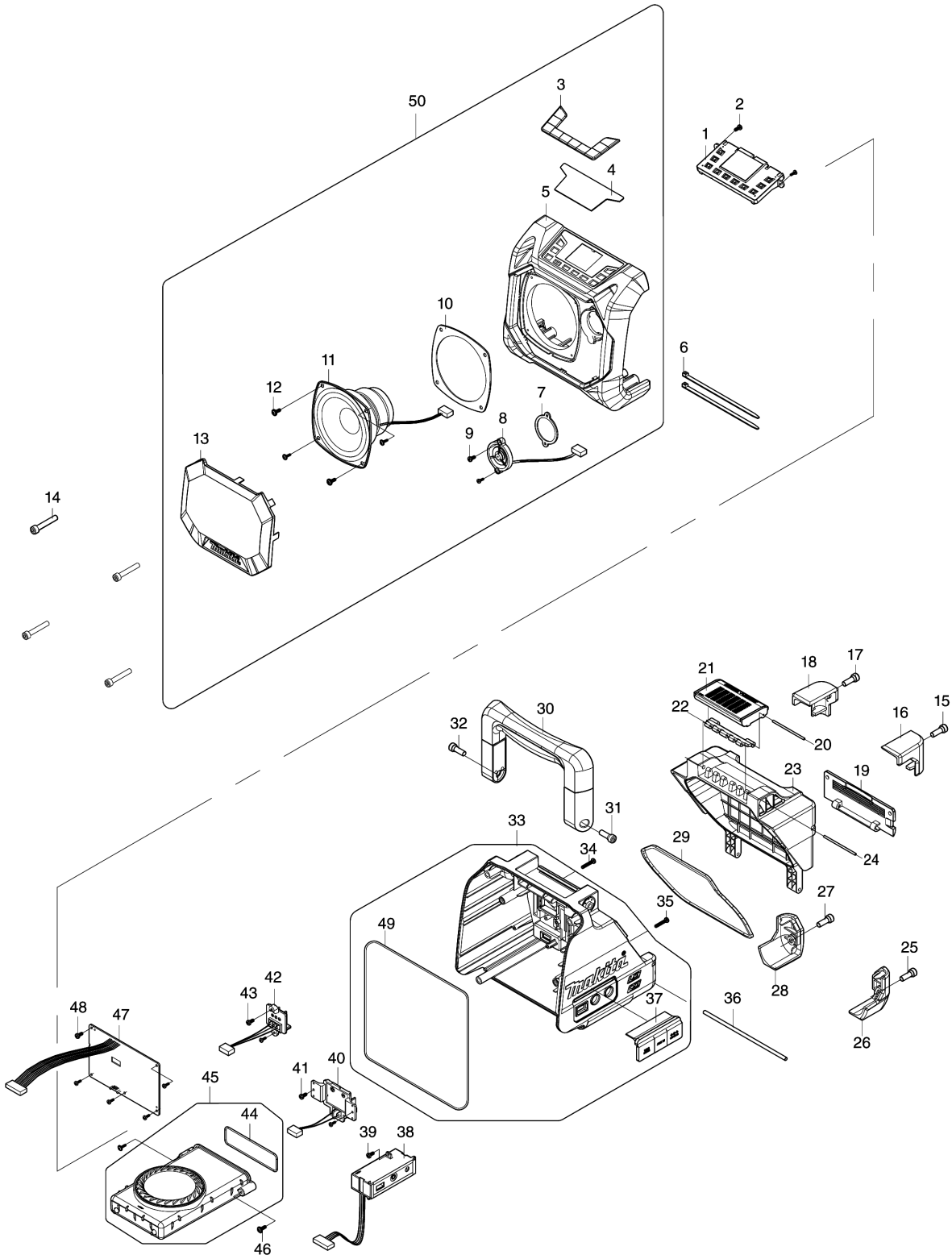


Model No.DMR203 CORDLESS JOB SITE SPEAKER



Model No.DMR203 CORDLESS JOB SITE SPEAKER

分解圖號	零件編號	品名	交換	數量	New/Old	選擇1	選擇2	註記
001	SE00000796	PCB C ASS'Y		1				
002	SE00000521	SCREW PTB 3X8(ZK) 29S16308001		2				
003	SE00000797	RUBBER KEY		1				
004	SE00000798	DISPLAY PLATE		1				
005	SE00000799	FRONT CABINET(BLUE)		1				
006	SE00000195	W/TIES 100MM		2				
007	SE00000801	SPEAKER PACKING B		1				
008	SE00000802	TWEETER SPEAKER ASS'Y		1				
009	SE00000521	SCREW PTB 3X8(ZK) 29S16308001		2				
010	SE00000803	SPEAKER PACKING A		1				
011	SE00000804	MAIN SPEAKER ASS'Y		1				
012	SE00000557	SCREW PTPW 3X10(ZK) 29S1531000		4				
013	SE00000805	SPEAKER GRILL ASS'Y		1				
014	SE00000530	SCREW PTHE 6X37(CR) 29S1793701		4				
015	SE09176166	HEX SCREW M6X16		1				
016	SE00000531	BATTERY BUMPER R 3163B30000010		1				
017	SE09176166	HEX SCREW M6X16		1				
018	SE00000532	BATTERY BUMPER L 3162B30000010		1				
019	SE00000534	PHONE COVER ASS'Y 011B3A5		1				
020	SE00000533	PIN D2X88 2100B300100		1				
021	SE00000535	LOCKER COVER 3121B30000010		1				
022	SE00000536	LOCKER HINGE 3300B30000010		1				
023	SE00000537	BATTERY COVER (BLUE) 3120B3000		1				
024	SE00000539	PIN D2X77 2100B300200		1				
025	SE09176166	HEX SCREW M6X16		1				
026	SE00000541	REAR BUMPER R 3161B30000010		1				
027	SE09176166	HEX SCREW M6X16		1				
028	SE00000540	REAR BUMPER L 3160B30000010		1				
029	SE00000542	BATTERY PACKING 2400B300200		1				

Model No.DMR203 CORDLESS JOB SITE SPEAKER

分解圖號	零件編號	品名	交換	數量	New/Old	選擇1	選擇2	註記
030	SE00000543	HANDLE ASS'Y-BLUE 01HB3A1		1				
031	SE09176166	HEX SCREW M6X16		1				
032	SE09176166	HEX SCREW M6X16		1				
033	SE00000808	REAR CABINET ASS'Y(BLUE)		1				
D10		INC. 37,49						
034	SE00000548	SCREW PTB 3X20(ZK) 29S09990047		1				
035	SE00000548	SCREW PTB 3X20(ZK) 29S09990047		1				
036	SE00000549	BATTERY COVER FIXER PIN 2100b3		1				
037	SE00000810	JACK RUBBER COVER		1				
038	SE00000654	JACK HOLDER ASS'Y- BLUE 011 AA3		1				
039	SE00000521	SCREW PTB 3X8(ZK) 29S16308001		1				
040	SE00000652	TERMINAL D ASSY 011 AA2		1				
041	SE00000521	SCREW PTB 3X8(ZK) 29S16308001		2				
042	SE00000651	TERMINAL 10.8V ASSY 011 AA1		1				
043	SE00000521	SCREW PTB 3X8(ZK) 29S16308001		2				
044	SE00000556	PHONE CASE PACKING 2400B300400		1				
045	SE00000555	MOBILE-PHONE-CASE ASS'Y 011B3A		1				
D10		INC. 44						
046	SE00000557	SCREW PTPW 3X10(ZK) 29S1531000		2				
047	SE00000812	PCB A ASS'Y		1				
048	SE00000521	SCREW PTB 3X8(ZK) 29S16308001		5				
049	SE024PC040	PACKING		1				
050	SE00000806	FRONT CABINET ASS'Y(BLUE)		1				
D10		INC. 3-5,7-13						
A01	SE00000515	AC ADAPTER (TW) 3A8A12C313B11		1				

Please order the parts with part number.

Print Date 2019/12/16