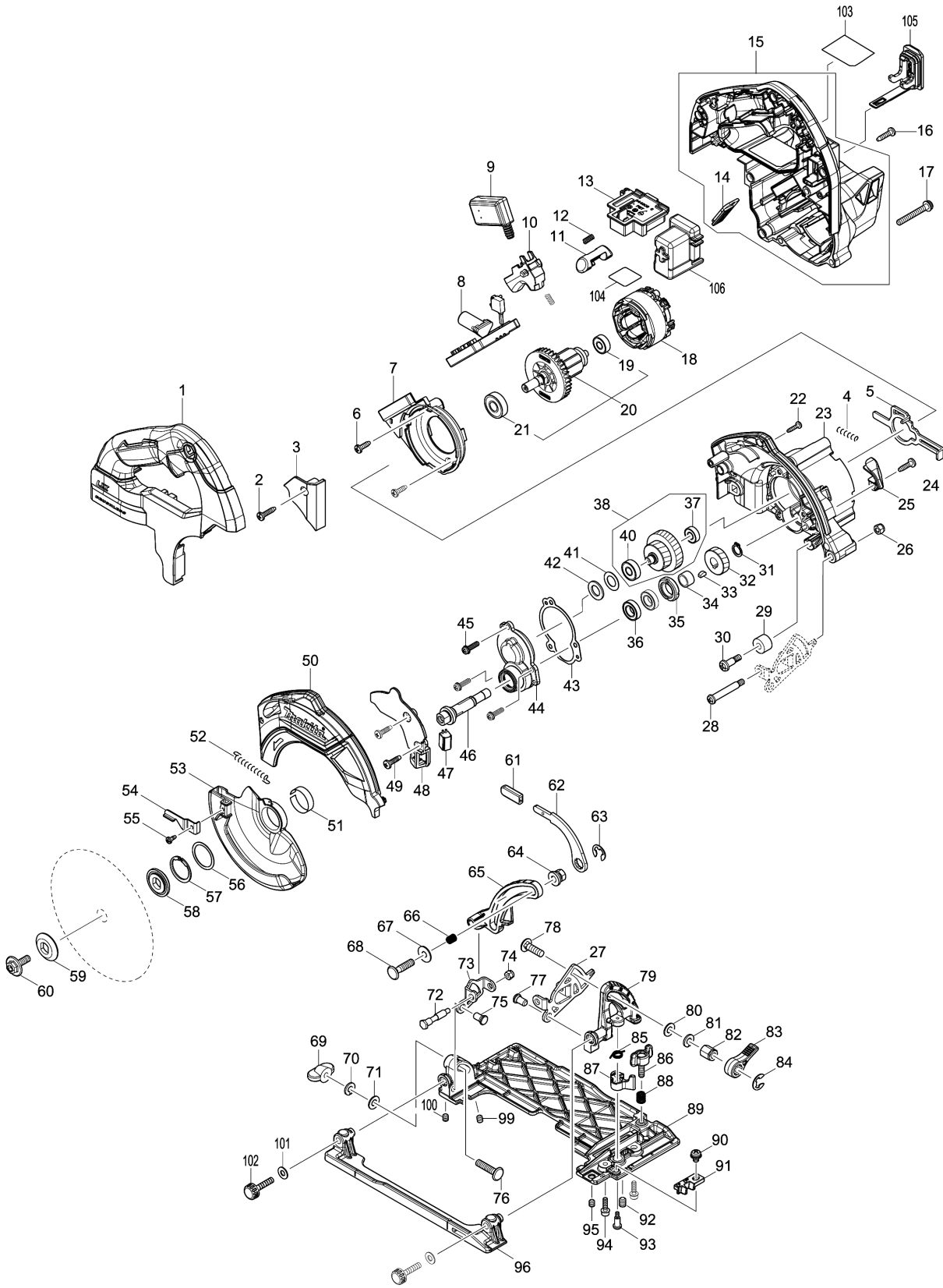


Model No.DHS475 125MM CORDLESS CIRCULAR SAW



Model No.DHS475 125MM CORDLESS CIRCULAR SAW

分解圖號	零件編號	品名	交換	數量	New/Old	選擇1	選擇2	註記
001	183L58-7	MOTOR HOUSING HANDLE COVER SET		1				
C10	263005-3	橡皮銷 6		2				
D10		INC. 14,15						
002	265995-6	攻牙螺絲 4X18		1				
003	459255-8	LEAD COVER		1				
004	233117-6	彈簧 6		1				
005	347512-5	SHAFT LOCK		1	*			
005-1	347643-0	SHAFT LOCK	○	1				
006	266192-7	自攻螺絲 4X14		2				
007	459252-4	BAFFLE PLATE		1				
008	620A81-0	CONTROLLER		1				
009	651083-9	SWITCH C3XA-1PSPM		1				
010	458594-3	SWITCH LEVER		1				
011	459264-7	LOCK OFF BUTTON		1				
012	231433-0	彈簧 4		2				
013	644809-6	TERMINAL		1				
014	144251-6	INDICATION PLATE COMPLETE		1				
015	183L58-7	MOTOR HOUSING HANDLE COVER SET		1				
C10	263005-3	橡皮銷 6		2				
D10		INC. 1,14						
016	265995-6	攻牙螺絲 4X18		6				
017	911263-2	螺絲 M5X40		3				
018	629404-3	STATOR		1				
019	211012-0	軸承 606ZZ		1				
020	519555-9	ROTOR ASSY		1				
D10		INC. 19,21						
021	210051-7	軸承 F/HR2453		1				
022	266404-8	螺絲3X14		3				
023	140K73-8	GEAR HOUSING COMPLETE		1	*			
C10	213953-6	O圈 24		1	*			
C20	819H92-4	CAUTION LABEL		1	*			
023-1	140P48-7	GEAR HOUSING COMPLETE	○	1				
C10	213953-6	O圈 24		1				
C20	819H92-4	CAUTION LABEL		1				
024	266034-5	螺絲 4X16		1				
025	459257-4	DUCT		1				
026	252103-8	六角螺母 M5-8		1				

Please order the parts with part number.

Print Date 2019/12/16

Model No.DHS475 125MM CORDLESS CIRCULAR SAW

分解圖號	零件編號	品名	交換	數量	New/Old	選擇1	選擇2	註記
027	347510-9	ANGULER GUIDE		1				
028	265056-2	十字螺絲M5		1				
029	262511-5	橡皮套筒 6		1				
030	265115-2	+ PAN HEAD SCREW M5		1				
031	961006-2	擋圈 S-10		1				
032	226882-4	HELICAL GEAR 22		1				
033	254031-3	半圓鍵3		1				
034	257728-3	SLEEVE 10		1	*			
034-1	257493-4	SLEEVE 10	O	1				
035	285847-5	培林押14-23		1				
036	211485-7	BALL BEARING 6800LLU		2				
037	210033-9	軸承 696ZZ		1				
038	136113-2	GEAR ASSY		1				
D10		INC. 37,40						
040	210062-2	軸承 607ZZ		1				
041	253376-6	FLAT WASHER 11		1				
042	262180-2	RUBBER RING 11		1				
043	459253-2	GASKET		1				
044	140J72-4	BEARING BOX COMPLETE		1				
C10	263002-9	橡皮銷 4		1				
045	911128-8	平頭螺絲 4X16		3				
046	327339-9	SPINDLE		1				
047	620A84-4	LED CIRCUIT		1				
048	459258-2	LIGHT CASE		1				
049	266034-5	螺絲 4X16		2				
050	459251-6	BLADE COVER		1				
051	346679-6	THICKNESS RING 23		1				
052	231792-2	拉緊彈簧 3		1				
053	454396-5	SAFETY COVER		1				
054	272277-9	LEVER 33		1				
055	265954-0	螺絲 PT3X8		1				
056	267471-6	FLAT WASHER 23		1				
057	961122-0	RETAINING RING S-22		1				
058	224417-5	INNER FLANGE 28		1				
059	224421-4	OUTER FLANGE 28		1				
060	266458-5	六角頭螺絲 M6X18		1				
061	286036-5	CAP		1				
062	347087-4	LEVER PLATE		1				
063	257982-9	停止圈 E-8		1				
064	252265-2	HEX. NUT M6		1				
065	319818-1	DEPTH GUIDE		1				

Model No.DHS475 125MM CORDLESS CIRCULAR SAW

分解圖號	零件編號	品名	交換	數量	New/Old	選擇1	選擇2	註記
066	232556-7	COMPRESSION SPRING 6		1				
067	253047-5	F 華士 6		1				
068	266931-5	FLAT HEAD SQ. NECK BOLT M6X25		1				
069	252631-3	螺絲 M6		1				
070	942151-2	彈性墊圈 6		1				
071	941151-9	平面墊圈 6		1				
072	266932-3	HEX. BOLT M4		1				
073	347511-7	REAR ANGULAR GUIDE		1				
074	252126-6	六角鎖定螺母M4-7		1				
075	256336-7	SHOULDER PIN 6-7		1				
076	266018-3	螺絲M6X26		1				
077	256336-7	SHOULDER PIN 6-7		1				
078	251919-8	螺絲 M6X20		1				
079	319819-9	ANGULAR PLATE		1	*			
079-1	319907-2	ANGULAR PLATE	○	1				
080	941151-9	平面墊圈 6		1				
081	942151-2	彈性墊圈 6		1				
082	252133-9	螺母 M6		1				
083	272251-7	桿 30		1				
084	961014-3	停止圈 E-8		1				
085	231661-7	TORSION SPRING 9		1				
086	265761-1	蝶螺絲 M5X16		1				
087	317574-7	STOPPER		1				
088	231456-8	COMPRESSION SPRING 7		1				
089	319814-9	BASE		1				
090	911203-0	平頭螺絲 M5X8		1				
091	454397-3	TOP GUIDE		1				
092	266225-8	螺絲 M6X8		1				
093	265A32-2	+ PAN HEAD SCREW M3		1				
094	251501-3	HEX. SOCKET HEAD BOLT M4X14		2				
095	266264-8	HS螺絲 M5X6		1				
096	140J79-0	SUB BASE COMPLETE		1	*			
096-1	140P14-4	SUB BASE COMPLETE	<	1				
099	266264-8	HS螺絲 M5X6		1				
100	266264-8	HS螺絲 M5X6		1				
101	941101-4	F 華士 5		2				
102	252272-5	THUMB SCREW M5X21		2				
103	855R74-2	DHS475 NAME PLATE		1				
104	855R78-4	DHS475 SERIAL NO. LABEL		1				

Model No.DHS475 125MM CORDLESS CIRCULAR SAW

分解圖號	零件編號	品名	交換	數量	New/Old	選擇1	選擇2	註記
105	140F99-0	CAP COMPLETE		1				
C10	213218-6	O圈 1 6		1				
C20	818H07-8	CAP LABEL		1				
106	459256-6	HOLDER		1				
A01	B-69462	EFFICUT WOOD CUTTING/ GENERAL		1				
A02	783203-8	六角板手 5		1				
A03	164095-8	導規		1				
A04	194202-9	DUST NOZZLE SET		1				

Please order the parts with part number.

Print Date 2019/12/16