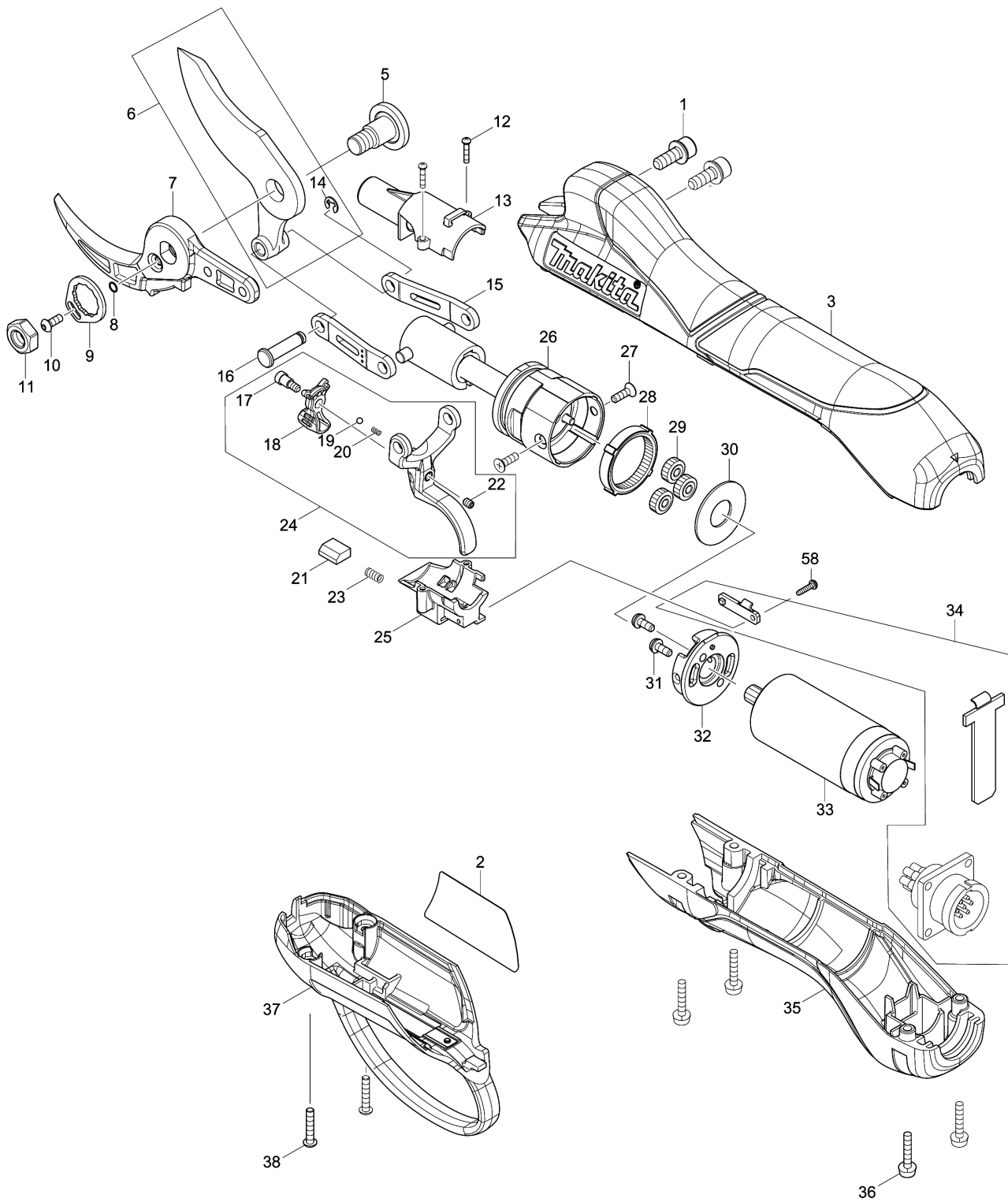
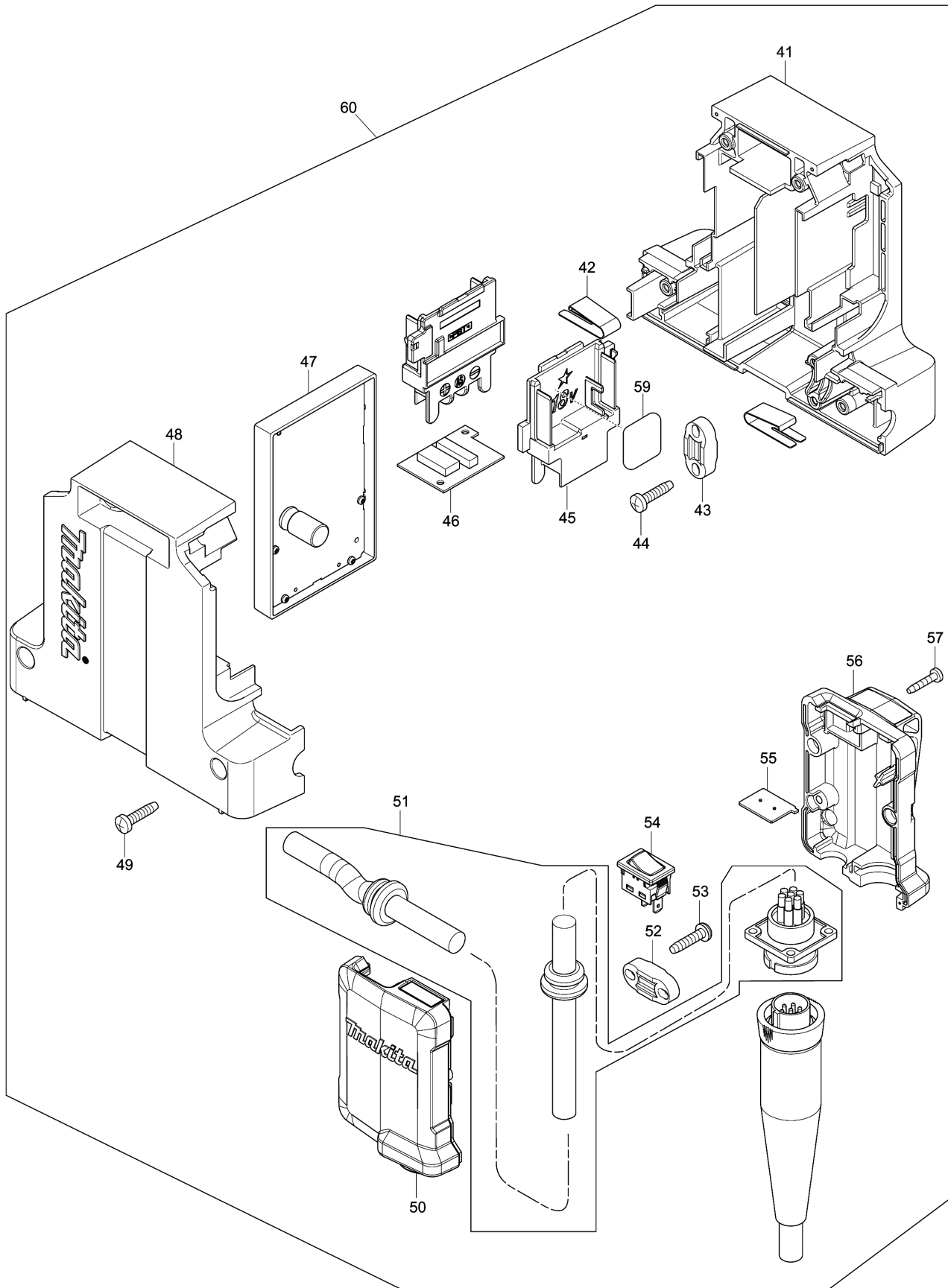


Model No.DUP362 BATTERY POWERED PRUNING SHEARS



Model No.DUP362 BATTERY POWERED PRUNING SHEARS



Model No.DUP362 BATTERY POWERED PRUNING SHEARS

分解圖號	零件編號	品名	交換	數量	New/Old	選擇1	選擇2	註記
001	251490-2	H.S.H.BOLT M5X14 WITH WR		2				
002A	855F93-6	DUP362 NAME PLATE		1				
002B	855F93-6	DUP362 NAME PLATE		1				
002C	856D81-4	DUP362 NAME PLATE		1				
003	456209-6	UPPER HOUSING		1				
005	251474-0	SHOULDER SCREW M8		1				
006	199168-8	SHEAR BLADE U SET		1				
D10		INC. 14						
007	199169-6	SHEAR BLADE L SET		1				
008	213034-6	O RING 3		1				
009	346940-1	LOCK PLATE		1				
010	266557-3	H.S.BUTTON HEAD BOLT M3X8		1				
011	264118-3	HEX. NUT M8		1				
012	266786-8	+ PAN HEAD TAPPING SCREW 2X10		2				
013	456218-5	BALL NUT COVER B		1				
014	961011-9	STOP RING E-4		1				
015	347165-0	LINK ARM		2				
016	256568-6	FLAT FILLISTER HD.PIN 5		1				
017	251484-7	+ FLAT HEAD SCREW M3X4		1				
018	456215-1	LEVER		1				
019	216031-1	STEEL BALL 2.3		1				
020	233491-2	COMPRESSION SPRING 2		1				
021	688189-0	MAGNET		1				
022	266999-1	H.S.SET SCREW(FLAT POINT)M3X4		1				
023	231397-8	COMPRESSION SPRING 4		1				
024	123536-3	TRIGGER ASS'Y		1				
D10		INC. 17-20,22						
025	456217-7	BALL NUT COVER A		1				
026	127142-6	BALL SCREW ASSEMBLY		1				
027	912012-0	C.H.SCREW M3X10		2				
028	226866-2	INTERNAL GEAR 49		1				
029	226865-4	SPUR GEAR 19		3				
030	253810-6	FLAT WASHER 12		1				
031	911006-2	PAN HEAD SCREW M3X8		2				
032	319349-0	MOTOR HOLDER		1				
033	629397-4	DC MOTOR		1				
034	620459-1	SUB CONTROLLER		1				
035	456211-9	LOWER HOUSING		1				
036	911028-2	PAN HEAD SCREW M3X16		4				

037	143935-3	FRONT HOUSING COMPLETE		1			
C10	807L80-7	INDICATION LABEL		1			
038	266980-2	HEX.S.BUTTON HEAD SCREW M3X16		2			
041A	183B69-2	CONTROLLER HOUSING SET		1			
D10		INC. 48					
041B	183B69-2	CONTROLLER HOUSING SET		1			
D10		INC. 48					
042A	232267-4	LEAF SPRING		2			
042B	232267-4	LEAF SPRING		2			
043A	687053-2	STRAIN RELIEF		1			
043B	687053-2	STRAIN RELIEF		1			
044A	265995-6	TAPPING SCREW 4X18		2			
044B	265995-6	TAPPING SCREW 4X18		2			
045A	643899-6	TERMINAL		2			
045B	643899-6	TERMINAL		2			
046A	620461-4	RF UNIT		1			
046B	620461-4	RF UNIT		1			
047A	620458-3	CONTROLLER		1			
047B	620458-3	CONTROLLER		1			
048A	183B69-2	CONTROLLER HOUSING SET		1			
D10		INC. 41					
048B	183B69-2	CONTROLLER HOUSING SET		1			
D10		INC. 41					
049A	265995-6	TAPPING SCREW 4X18		4			
049B	265995-6	TAPPING SCREW 4X18		4			
050A	183B76-5	SWITCH HOUSING SET		1			
C10	807E89-7	INDICATION LABEL		1			
C20	807F74-6	CAUTION LABEL		1			
D10		INC. 56					
050B	183B76-5	SWITCH HOUSING SET		1			
C10	807E89-7	INDICATION LABEL		1			
C20	807F74-6	CAUTION LABEL		1			
D10		INC. 56					
051A	699086-5	POWER SUPPLY CORD UNIT		1			
051B	699086-5	POWER SUPPLY CORD UNIT		1			
052A	687053-2	STRAIN RELIEF		1			
052B	687053-2	STRAIN RELIEF		1			
053A	265995-6	TAPPING SCREW 4X18		2			
053B	265995-6	TAPPING SCREW 4X18		2			

054A	651536-8	SWITCH 1941. 1451	1			
054B	651536-8	SWITCH 1941. 1451	1			
055A	620460-6	LED CIRCUIT	1			
055B	620460-6	LED CIRCUIT	1			
056A	183B76-5	SWITCH HOUSING SET	1			
C10	807E89-7	INDICATION LABEL	1			
C20	807F74-6	CAUTION LABEL	1			
D10		INC. 50				
056B	183B76-5	SWITCH HOUSING SET	1			
C10	807E89-7	INDICATION LABEL	1			
C20	807F74-6	CAUTION LABEL	1			
D10		INC. 50				
057A	266429-2	TAPPING SCREW 3X16	3			
057B	266429-2	TAPPING SCREW 3X16	3			
058	266786-8	+ PAN HEAD TAPPING SCREW 2X10	1			
059A	855F95-2	DUP362 SERIAL NO. LABEL	1			
059B	855F95-2	DUP362 SERIAL NO. LABEL	1			
060A	630999-1	CONTROLLER	1			
D10		INC. 41-57,59				
060B	630999-1	CONTROLLER	1			
D10		INC. 41-57,59				
A01A	154511-8	CORD HOLDER COMPLETE	1			
A01B	154511-8	CORD HOLDER COMPLETE	1			
A02A	161603-6	HARNESS	1			
A02B	161603-6	HARNESS	1			
A03A	161379-5	HOLSTER	1			
A03B	161379-5	HOLSTER	1			
A04A	166062-9	ARM BAND	1			
A04B	166062-9	ARM BAND	1			
A05	182470-6	OIL SUPPLY	1			
A06A	661445-3	CONNECTION CORD	1			
A06B	661445-3	CONNECTION CORD	1			
A07	794530-8	DIAMOND FILE 140	1			
A08A	782212-4	SOCKET WRENCH 13	1			
A08B	782212-4	SOCKET WRENCH 13	1			
A09A	783021-4	HEX. WRENCH 1.5	1			
A09B	783021-4	HEX. WRENCH 1.5	1			
A10A	783202-0	HEX. WRENCH 4	1			
A10B	783202-0	HEX. WRENCH 4	1			
A11A	783214-3	HEX.SOCKET SCREW KEY 2	1			
A11B	783214-3	HEX.SOCKET SCREW KEY 2	1			
A12A	831284-7	TOOL BAG	1			

A12B	831284-7	TOOL BAG		1				
A14B	197427-4	BATTERY BL1860B SET		2				
A15B	450128-8	BATTERY COVER		2				
A16B	***DC18RD	DC18RD TWO PORT FAST CHARGER		1				
D10		COMPO-PARTS						
A17	199168-8	SHEAR BLADE U SET		1				

Please order the parts with part number.

Print Date 2019/8/1