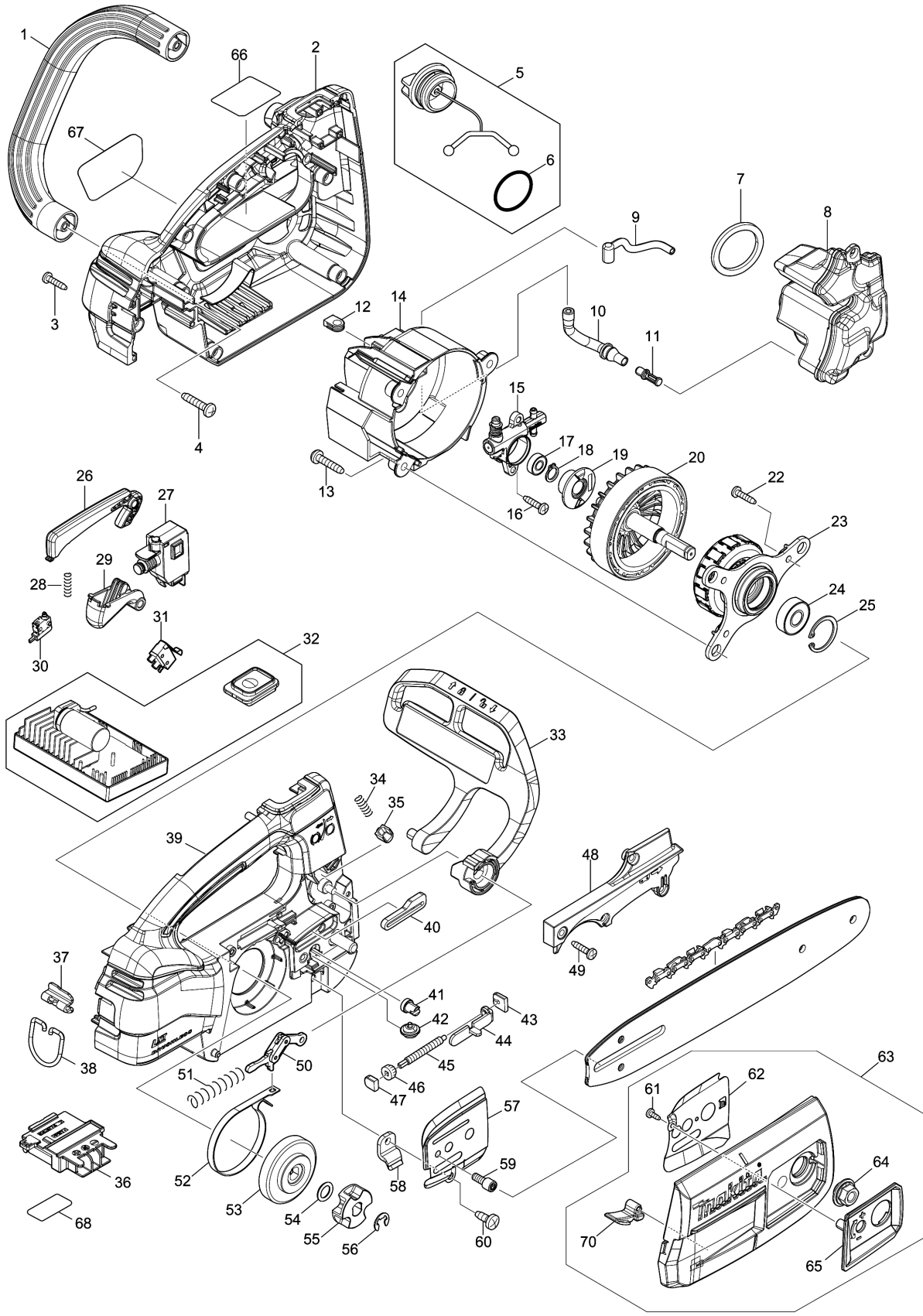


Model No.DUC204 200MM CORDLESS CHAIN SAW



Model No.DUC204 200MM CORDLESS CHAIN SAW

分解圖號	零件編號	品名	交換	數量	New/Old	選擇1	選擇2	註記
001	458490-5	SIDE HANDLE		1				
002	183J27-6	HOUSING SET		1				
C10	263005-3	橡皮銷 6		2				
D10		INC. 39						
003	266326-2	螺絲 M4X18		8				
004	266041-8	螺絲 5X25		2				
005	168508-1	油箱蓋完整		1				
D10		INC. 6						
006	213355-6	O圈 25		1				
007	421959-2	海綿密封件		1				
008	140A75-4	OIL TANK COMPLETE		1				
009	422271-3	CONNECTOR A		1				
010	422272-1	CONNECTOR B		1				
011	450437-5	過濾器		1				
012	424612-9	扣環		1				
013	266041-8	螺絲 5X25		3				
014	458489-0	MOTOR HOUSING		1				
015	142857-4	OIL PUMP COMPLETE		1				
016	266326-2	螺絲 M4X18		2				
017	210026-6	軸承 F/DA3010F		1				
018	961006-2	擋圈 S-10		1				
019	221428-1	WORM GEAR		1				
020	619518-6	ROTOR		1				
022	266326-2	螺絲 M4X18		3				
023	629378-8	STATOR COMPLETE		1				
024	210059-1	滾珠軸承 6000DDW		1				
025	962105-3	擋圈R-26		1				
026	458497-1	CATCH LEVER		1				
027	651365-9	SWITCH C3JW-6BM-P		1				
028	233476-8	COMPRESSION SPRING 4 F/BTP35		1				
029	458495-5	SWITCH LEVER		1				
030	632L49-0	SWITCH UNIT		1				
031	632L48-2	SWITCH UNIT		1				
032	140A77-0	CONTROLLER COMPLETE		1	*			
C10	810D46-0	SWITCH LABEL		1	*			
032-1	140P57-6	CONTROLLER COMPLETE	<	1				
C10	810D46-0	SWITCH LABEL		1				
033	140A71-2	FRONT HAND GUARD COMPLETE		1				
C10	816U30-5	CAUTION LABEL		1				

Model No.DUC204 200MM CORDLESS CHAIN SAW

分解圖號	零件編號	品名	交換	數量	New/Old	選擇1	選擇2	註記
034	232453-7	COMPRESSION SPRING 3		1				
035	310879-4	HAND GUARD GUIDE		1				
036	643874-2	端子座		1				
037	347377-5	HOOK SUPPORT		1				
038	281222-3	HOOK		1				
039	183J27-6	HOUSING SET		1				
C10	263005-3	橡皮銷 6		2				
D10		INC. 2						
040	422270-5	GROMET		1				
041	227620-7	傳動齒輪		1				
042	227634-6	STRAIGHT BEVEL GEAR 14		1				
043	455241-7	CLAMP SCREW		1				
044	347376-7	TENSION SLIDE		1	*			
044-1	347569-6	TENSION SLIDE	S	1				
045	327120-8	ADJUST SCREW		1				
046	227496-2	直齒傘齒輪		1				
047	455242-5	CLAMP SCREW		1				
048	458491-3	HOUSING R COVER		1				
049	266326-2	螺絲 M4X18		4				
050	140A74-6	LINK PLATE COMPLETE		1				
051	232452-9	COMPRESSION SPRING 7		1				
052	347372-5	BRAKE BAND		1				
053	161871-1	BRAKE DRUM COMPLETE		1				
054	213060-5	O圈 10 AT		1				
055	221464-7	鏈輪6		1				
056	961013-5	停止圈 E-7		1				
057	347374-1	GUIDE PLATE L		1	*			
057-1	347567-0	GUIDE PLATE L	S	1				
058	347373-3	CHAIN CATCHER		1				
059	266905-6	H.L. SOCKET HEAD BOLT M5X12		1				
060	266388-0	自攻螺絲 5X16		1				
061	266007-8	自攻螺絲 PT 3X10		1				
062	347375-9	GUIDE PLATE R		1	*			
062-1	347568-8	GUIDE PLATE R	S	1				
063	136010-2	SPROCKET COVER ASS'Y		1	*			
D10		INC. 61,62,64,65,70			*			
063-1	136010-2	SPROCKET COVER ASS'Y	<	1	*			
D10		INC. 61,62,64,65,70,71			*			
063-2	136036-4	SPROCKET COVER ASS'Y	<	1	*			
D10		INC. 61,62,64,65,70,71			*			

Model No.DUC204 200MM CORDLESS CHAIN SAW

分解圖號	零件編號	品名	交換	數量	New/Old	選擇1	選擇2	註記
063-3	136122-1	SPROCKET COVER ASS'Y	S	1				
D10		INC. 61,62,64,65,70,71						
064	161870-3	FRANGE NUT COMPLETE		1	*			
064-1	162494-8	FLANGE NUT COMPLETE	<	1				
065	458499-7	NUT COVER		1				
066	854G13-3	DUC204 NAME PLATE		1				
067	816U23-2	DUC204 MODEL NO. LABEL		1				
068	854G16-7	DUC204 SERIAL NO. LABEL		1				
070	422310-9	CHIP GUIDE		1				
071	458493-9	SPROCKET COVER		1	*			
071-1	459771-0	SPROCKET COVER	S	1				
A01	161848-6	GUIDE BAR 8		1				
A02	458503-2	GUIDE BAR CASE		1				
A03	199076-3	SAW CHAIN SET		1				
A04	782023-7	扳手 13-16		1				
A09	831304-7	附件袋		1				

Please order the parts with part number.

Print Date 2019/8/12