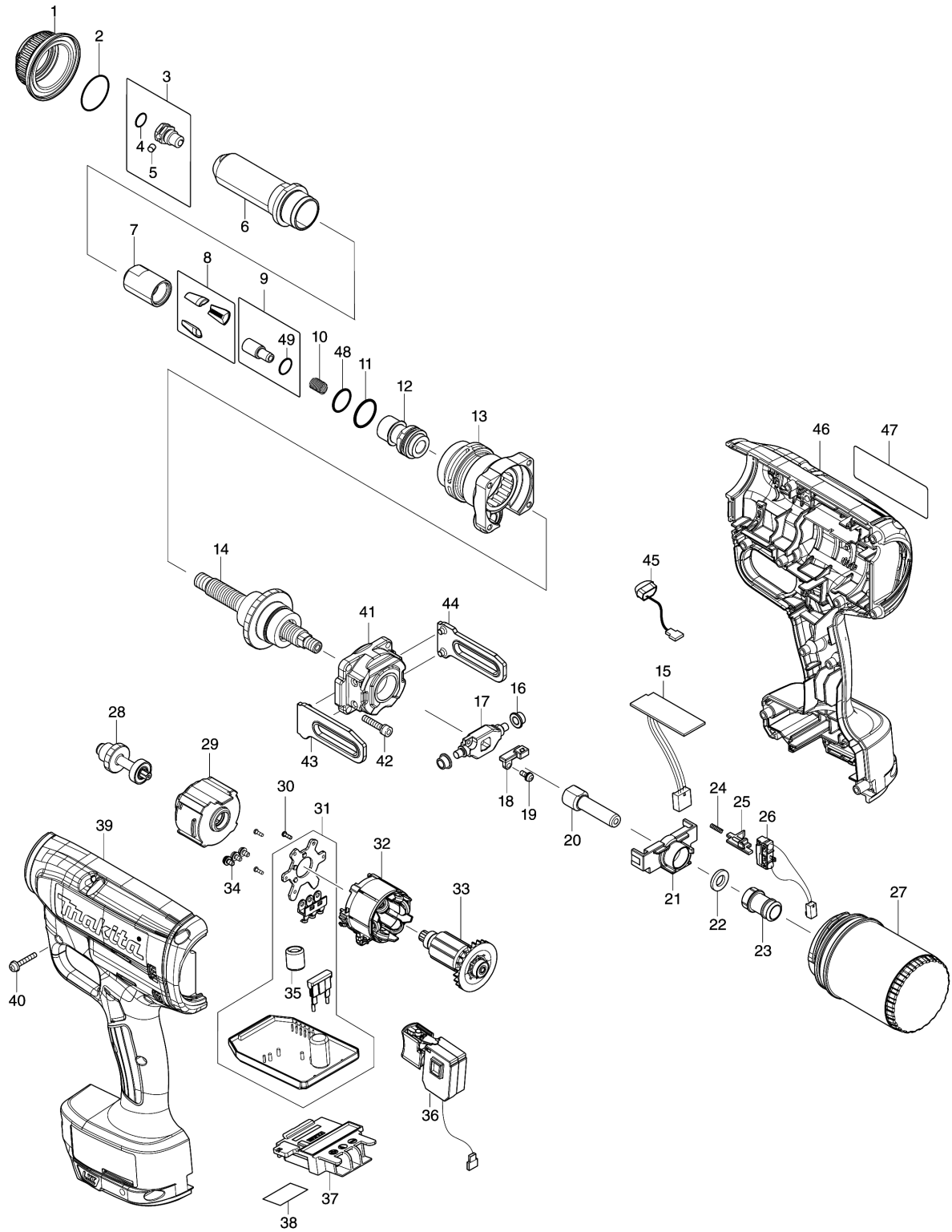


Model No.DRV150 CORDLESS RIVET GUN



Model No.DRV150 CORDLESS RIVET GUN

| 分解圖號 | 零件編號 | 品名 | 交換 | 數量 | New/Old | 選擇1 | 選擇2 | 註記 |
|-------|----------|----------------------------|----|----|---------|-----|-----|----|
| 001 | 319812-3 | SCREW NUT 4.8 | | 1 | | | | |
| 002 | 213380-7 | 圈24 | | 1 | | | | |
| 003 | 127225-2 | NOSEPIECE 4.8A ASSEMBLY | | 1 | | | | |
| D10 | | INC. 4,5 | | | | | | |
| 004 | 213011-8 | O圈 7 F/LS1212 | | 1 | | | | |
| 005 | 256217-5 | 銷子4 | | 1 | | | | |
| 006 | 327281-4 | JAW CASE | | 1 | | | | |
| 007 | 327279-1 | HEAD 6.4 | | 1 | | | | |
| 008 | 199731-7 | JAW 4.8 SET | | 1 | | | | |
| 009 | 127475-9 | JAW PUSHER 3.6 ASSEMBLY | | 1 | | | | |
| D10 | | INC. 49 | | | | | | |
| 010 | 232586-8 | COMPRESSION SPRING 7 | | 1 | | | | |
| 011 | 213265-7 | O形圈 17 | | 1 | | | | |
| 012 | 327285-6 | JOINT 4.8 | | 1 | | | | |
| 013 | 140J44-9 | FRONT HOUSING COMPLETE | | 1 | | | | |
| 014 | 127221-0 | BALL SCREW | | 1 | | | | |
| 015 | 620A44-6 | HALL IC CIRCUIT | | 1 | | | | |
| 016 | 257457-8 | RING 5 | | 2 | | | | |
| 017 | 310935-0 | ROLLER SHAFT 4.8 | | 1 | | | | |
| 018 | 140E40-7 | MAGNET HOLDER COMPLETE | | 1 | * | | | |
| 018-1 | 140T04-1 | MAGNET HOLDER COMPLETE | < | 1 | | | | |
| 019 | 911008-8 | PAN HEAD SCREW M3X8 | | 1 | | | | |
| 020 | 327284-8 | TUBE 4.8 | | 1 | | | | |
| 021 | 458772-5 | TUBE GUIDE A | | 1 | | | | |
| 022 | 261161-3 | FELT RING 8 | | 1 | | | | |
| 023 | 458773-3 | TUBE GUIDE B | | 1 | | | | |
| 024 | 233025-1 | 壓縮彈簧 2 | | 1 | | | | |
| 025 | 458774-1 | SWITCH LEVER | | 1 | | | | |
| 026 | 632M90-9 | SWITCH UNIT | | 1 | | | | |
| 027 | 162500-9 | MANDREL CONTAINER COMPLETE | | 1 | | | | |
| 028 | 140J46-5 | SPUR GEAR 10 COMPLETE | | 1 | | | | |
| 029 | 127222-8 | GEAR ASSEMBLY | | 1 | | | | |
| 030 | 266490-9 | 盤頭螺絲 PT 2X6 | | 3 | | | | |
| 031 | 632M67-4 | CONTROLLER UNIT | | 1 | | | | |
| 032 | 629373-8 | STATOR | | 1 | | | | |
| 033 | 619535-6 | ROTOR | | 1 | | | | |

Please order the parts with part number.

Print Date 2019/11/11

Model No.DRV150 CORDLESS RIVET GUN

| 分解圖號 | 零件編號 | 品名 | 交換 | 數量 | New/Old | 選擇1 | 選擇2 | 註記 |
|-------|----------|-------------------------|----|----|---------|-----|-----|----|
| 034 | 652069-6 | 平頭螺絲M3X6 | | 3 | | | | |
| 036 | 651379-8 | SWITCH C3JW-1A-S | | 1 | | | | |
| 037 | 643874-2 | 端子座 | | 1 | | | | |
| 038 | 855M09-3 | DRV150 SERIAL NO. LABEL | | 1 | | | | |
| 039 | 183L30-9 | HOUSING SET | | 1 | | | | |
| C10 | 263005-3 | 橡皮銷 6 | | 2 | | | | |
| C20 | 252126-6 | 六角鎖定螺母M4-7 | | 2 | | | | |
| C30 | 931002-4 | HEX. NUT M3 | | 10 | | | | |
| D10 | | INC. 46 | | | | | | |
| 040 | 265095-2 | 螺絲 M3X20 | | 10 | | | | |
| 041 | 140J45-7 | REAR HOUSING COMPLETE | | 1 | | | | |
| 042 | 265490-6 | H.S.H螺絲 M4X16 | | 4 | | | | |
| 043 | 310908-3 | GUIDE PLATE L | | 1 | * | | | |
| 043-1 | 313297-5 | GUIDE PLATE L | < | 1 | | | | |
| 044 | 310909-1 | GUIDE PLATE R | | 1 | * | | | |
| 044-1 | 313298-3 | GUIDE PLATE R | < | 1 | | | | |
| 045 | 620549-0 | 本體外殼組 | | 1 | | | | |
| 046 | 183L30-9 | HOUSING SET | | 1 | | | | |
| C10 | 263005-3 | 橡皮銷 6 | | 2 | | | | |
| C20 | 252126-6 | 六角鎖定螺母M4-7 | | 2 | | | | |
| C30 | 931002-4 | HEX. NUT M3 | | 10 | | | | |
| D10 | | INC. 39 | | | | | | |
| 047 | 855M01-9 | DRV150 NAME PLATE | | 1 | | | | |
| 048 | 213891-2 | O RING 14.5 | | 1 | | | | |
| 049 | 213054-0 | O圈 9 F/HM1302 | | 1 | | | | |
| A01 | 251314-2 | 螺絲 M4X12 | | 1 | | | | |
| A02 | 346317-0 | 掛勾(大) | | 1 | | | | |
| A03 | 191C04-2 | ACCESSORY SET B FOR 4.0 | | 1 | | | | |
| C10 | 213011-8 | O圈 7 F/LS1212 | | 1 | | | | |
| C20 | 256217-5 | 銷子4 | | 1 | | | | |
| C30 | 213054-0 | O圈 9 F/HM1302 | | 1 | | | | |
| A04 | 199728-6 | ACCESSORY SET FOR 3.2 | | 1 | | | | |
| C10 | 213011-8 | O圈 7 F/LS1212 | | 1 | | | | |
| C20 | 256217-5 | 銷子4 | | 1 | | | | |
| C30 | 213054-0 | O圈 9 F/HM1302 | | 1 | | | | |
| A05 | 199729-4 | ACCESSORY SET FOR 2.4 | | 1 | | | | |
| C10 | 213011-8 | O圈 7 F/LS1212 | | 1 | | | | |
| C20 | 256217-5 | 銷子4 | | 1 | | | | |
| C30 | 213054-0 | O圈 9 F/HM1302 | | 1 | | | | |
| A06 | 191D57-7 | GREASE SET | | 1 | | | | |

Please order the parts with part number.

Print Date 2019/11/11