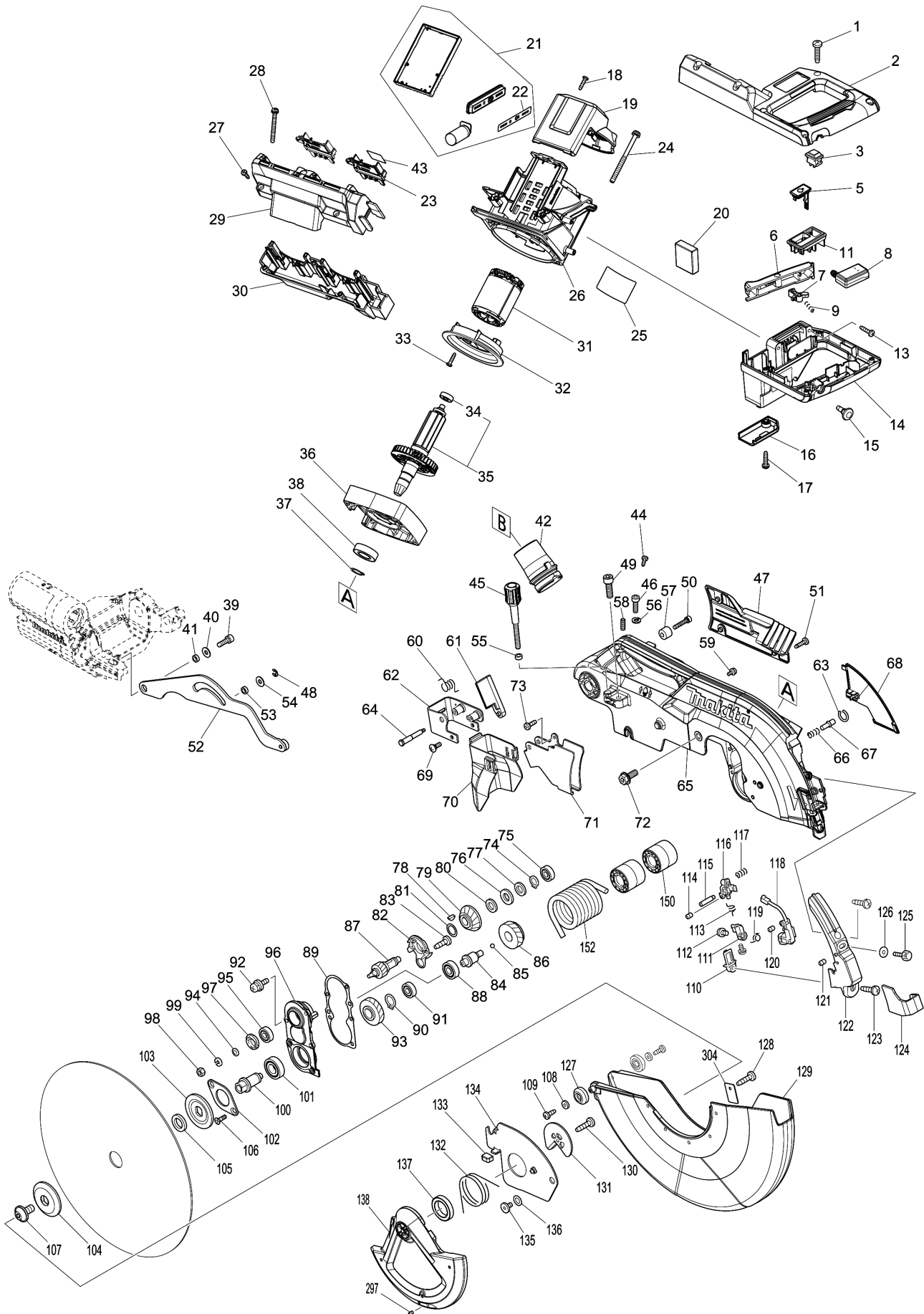
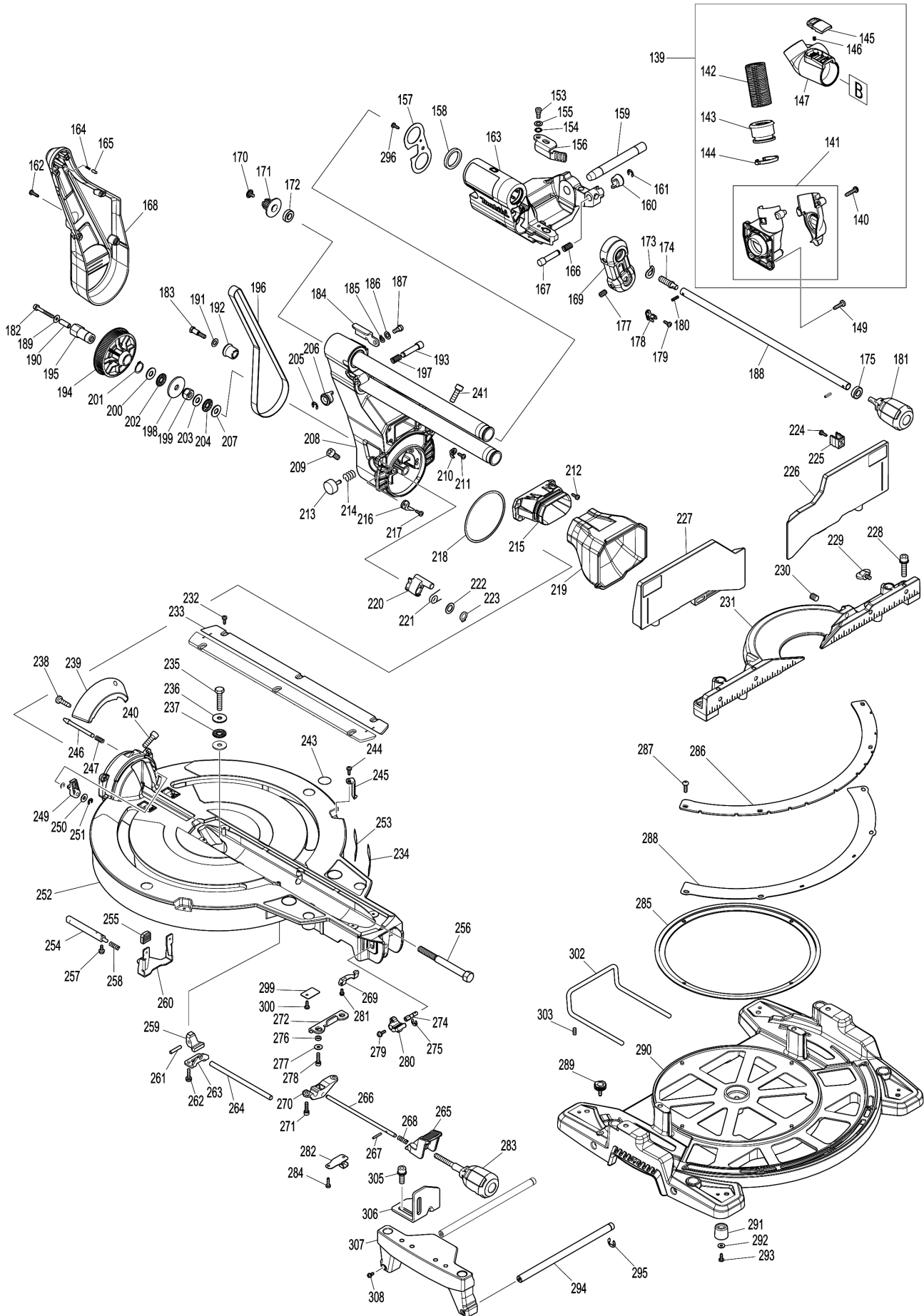


Model No.DLS211 305MM DC SLIDE CPD. MITER SAW



Model No.DLS211 305MM DC SLIDE CPD. MITER SAW



Model No.DLS211 305MM DC SLIDE CPD. MITER SAW

分解圖號	零件編號	品名	交換	數量	New/Old	選擇1	選擇2	註記
001	265995-6	TAPPING SCREW 4X18		6				
002	183H70-3	HANDLE SET		1				
C10	810486-8	CAUTION LABEL		1				
D10		INC. 14						
003	632L09-2	SWITCH UNIT		1				
005	140G30-2	CAP COMPLETE		1				
C10	213218-6	O RING 16		1				
C20	818H48-4	CAP LABEL		1				
006	457935-0	SWITCH LEVER		1				
007	416356-5	LOCK-OFF LEVER		1				
008	651083-9	SWITCH C3XA-1PSPM		1				
009	231026-3	COMPRESSION SPRING 4		1				
011	458079-9	SWITCH COVER		1				
013	265995-6	TAPPING SCREW 4X18		3				
014	183H70-3	HANDLE SET		1				
C10	810486-8	CAUTION LABEL		1				
D10		INC. 2						
015	451037-4	SWITCH BUTTON		1				
016	451000-7	LEAD COVER HOLDER		1				
017	265995-6	TAPPING SCREW 4X18		1				
018	265995-6	TAPPING SCREW 4X18		2				
019	457933-4	REAR COVER		1				
020	620742-6	POWER SUPPLY CIRCUIT		1				
021	620B81-6	CONTROLLER COMPLETE		1				
D10		INC. 22						
022	813T74-0	INDICATION LABEL		1				
023	643874-2	TERMINAL		2				
024	911948-0	PAN HEAD SCREW M6X80 WITH WR		4				
025	855P61-9	DLS211 NAME PLATE		1				
026	457906-7	MOTOR HOUSING		1				
027	265995-6	TAPPING SCREW 4X18		3				
028	911273-9	PAN HEAD SCREW M5X50		2				
029	183L40-6	BATTERY HOUSING SET		1				
C10	263005-3	RUBBER PIN 6		4				
D10		INC. 30						
030	183L40-6	BATTERY HOUSING SET		1				
C10	263005-3	RUBBER PIN 6		4				
D10		INC. 29						
031	629282-1	STATOR		1				
032	457934-2	BAFFLE PLATE		1				
033	265995-6	TAPPING SCREW 4X18		2				

034	211021-9	BALL BEARING 607LLB	1				
035	519554-1	ROTOR ASS'Y	1				
D10		INC. 34					
036	318471-0	MOTOR BRACKET	1				
037	961057-5	RETAINING RING S-17	1				
038	210301-0	BALL BEARING 6003DDW	1				
039	922331-6	HEX. SOCKET HEAD BOLT M6X20	1				
040	253804-1	FLAT WASHER 6	1				
041	257461-7	RING 6	1				
042	459250-8	DUST NOZZLE	1				
043	855P68-5	DLS211 SERIAL NO. LABEL	1				
044	266034-5	TAPPING SCREW CT 4X16	1				
045	251554-2	THUMB SCREW M6X40	1				
046	265A36-4	H.S.H.BOLT M6X16	1				
047	458146-0	LOGO PLATE	1				
048	961018-5	STOP RING E-5	1				
049	251547-9	HEX.SOCKET HEAD BOLT M8X25	1				
050	922251-4	HEX. SOCKET HEAD BOLT M5X30	1				
051	266034-5	TAPPING SCREW CT 4X16	3				
052	140J53-8	LINK PLATE COMPLETE	1				
053	257461-7	RING 6	1				
054	253804-1	FLAT WASHER 6	1				
055	262190-9	URETHANE RING 5	1				
056	253428-3	SPRING WASHER 6	1				
057	257449-7	SLEEVE 6	1				
058	266321-2	H.S.SET SCREW(FLAT POINT)M6X16	1				
059	911114-9	PAN HEAD SCREW M4X10	2				
060	232412-1	TORSION SPRING 11	1				
061	457764-1	DUST GUIDE PLATE	1				
062	161647-6	GUARD HOLDER	1				
063	231928-3	RING SPRING 8	1				
064	251544-5	SHOULDER HEX. BOLT M4	1				
065	140K55-0	BLADE CASE COMPLETE	1				
C10	263005-3	RUBBER PIN 6	3				
C20	810064-4	LASER BEAM CAUTION LABEL	1				
C30	810354-5	LASER BEAM LABEL	1				
C40	807W91-8	CAUTION LABEL	1				
066	231240-1	COMPRESSION SPRING 7	1				
067	256633-1	PIN 6	1				
068	458148-6	LEAD COVER	1				

069	265028-7	+ PAN HEAD SCREW M4X11	1				
070	422235-7	GUARD	1				
071	347308-4	GUARD PLATE	1				
072	266283-4	HEX. SOCKET HEX. BOLT M8X20	1				
073	266020-6	TAPPING SCREW 4X12	1				
074	961052-5	RETAINING RING S-12	1				
075	210005-4	BALL BEARING 608DDW	1				
076	261104-5	RUBBER WASHER 12	1				
077	253744-3	FLAT WASHER 12	1				
078	254001-2	WOODRUFF KEY 4	1				
079	227550-2	SPIRAL BEVEL GEAR 32	1				
080	253744-3	FLAT WASHER 12	1				
081	253313-0	THIN WASHER 14	1				
082	451002-3	GREASE HOLDER	1				
083	266026-4	TAPPING SCREW BIND CT 4X12	2				
084	325643-0	GEAR SHAFT	1				
085	216049-2	STEEL BALL 4	1				
086	227702-5	HELICAL GEAR 27	1				
087	227701-7	HELICAL GEAR 14	1				
088	210067-2	BALL BEARING 6000ZZ	1				
089	442147-8	GASKET	1				
090	961055-9	RETAINING RING S-15	1				
091	210005-4	BALL BEARING 608DDW	1				
092	911223-4	PAN HEAD SCREW M5X16	3				
093	227703-3	HELICAL GEAR 28	1				
094	267010-2	FLAT WASHER 5	1				
095	210005-4	BALL BEARING 608DDW	1				
096	158957-0	BEARING BOX COMPLETE	1				
C10	263002-9	RUBBER PIN 4	1				
097	285847-5	BEARING RETAINER 14-23	1				
098	931202-6	HEX. NUT M5	1				
099	253427-5	SPRING WASHER 5	1				
100	325644-8	SPINDLE	1				
101	211236-8	BALL BEARING 6002DDW	1				
102	285732-2	BEARING RETAINER 51	1				
103	224431-1	INNER FLANGE 53	1				
104	224432-9	OUTER FLANGE 53	1				
105	257060-5	RING 15.8	1				
106	265034-2	+ COUNTERSUNK HEAD SCREW M5X16	2				
107	266755-9	HEX.SOCKET HEAD BOLT M10X20	1				
108	941051-3	FLAT WASHER 4	2				
109	266020-6	TAPPING SCREW 4X12	2				

110	418104-8	LENS	1				
111	419378-4	BLOCK B	1				
112	911003-8	PAN HEAD SCREW M3X6	2				
113	231664-1	TORSION SPRING 9	1				
114	266318-1	H.S.SET SCREW(FLAT POINT)M4X6	1				
115	266306-8	SHOULDER SCREW M5	1				
116	419379-2	BLOCK C	1				
117	233471-8	COMPRESSION SPRING 6	1				
118	638651-5	LASER CIRCUIT COMPLETE	1				
119	231664-1	TORSION SPRING 9	1				
120	266318-1	H.S.SET SCREW(FLAT POINT)M4X6	1				
121	266229-0	H.S.SET SCREW(CUP POINT)M5X8	2				
122	458903-6	LASER COVER	1				
123	266034-5	TAPPING SCREW CT 4X16	2				
124	457664-5	PROTECTOR	1				
125	265753-0	THUMB SCREW M5X24	1				
126	267066-5	FLAT WASHER 5	1				
127	424193-3	ROLLER	2				
128	266385-6	TAPPING SCREW 4X14	3				
129	458144-4	SAFETY COVER B	1				
130	266385-6	TAPPING SCREW 4X14	1				
131	347213-5	CENTER PLATE	1				
132	231634-0	TORSION SPRING 45	1				
133	424190-9	CUSHION	1				
134	347214-3	CENTER COVER	1				
135	265985-9	HEX.SOCKET HEAD BOLT M6	1				
136	253932-2	WAVE WASHER 10	1				
137	210168-6	BALL BEARING 6805DDW	1				
138	458437-9	SAFETY COVER A	1				
139	127274-9	DUST NOZZLE ASSEMBLY	1				
D10		INC. 140-147					
140	265995-6	TAPPING SCREW 4X18	3				
141	183H71-1	HOSE CONNECTOR SET	1				
142	245048-7	HOSE 28-0.5	1				
143	457672-6	SLEEVE	1				
144	457673-4	STOPPER	1				
145	458939-5	BUTTON A	1				
146	232485-4	COMPRESSION SPRING 5	1				
147	459249-3	HOSE JOINT	1				
149	266034-5	TAPPING SCREW CT 4X16	3				
150	458149-4	SLEEVE 17	2				
152	233542-1	TORSION SPRING 40	1				

153	251267-5	+ PAN HEAD SCREW M6		1			
154	253948-7	WAVE WASHER 8		1			
155	253835-0	FLAT WASHER 8		1			
156	347221-6	STOPPER ARM		1			
157	347222-4	FRONT ARM PLATE		1			
158	262076-7	FELT RING 30		2			
159	326994-4	ROD 16		1			
160	271437-0	KNOB 22		1			
161	961013-5	STOP RING E-7		1			
162	266034-5	TAPPING SCREW CT 4X16		4			
163	144912-8	FRONT ARM COMPLETE		1			
C10	263005-3	RUBBER PIN 6		2			
164	233151-6	COMPRESSION SPRING 4		1			
165	256364-2	PIN 4		1			
166	232384-0	COMPRESSION SPRING 10		1			
167	326977-4	STOPPER PIN		1			
168	458145-2	ARM COVER		1			
169	144658-6	HOLDER COMPLETE		1			
C10	812X89-8	INDICATION LABEL		1			
170	265008-3	+ FLAT HEAD SCREW M5		1			
171	222191-9	PULLEY 17-19.3		1			
172	210167-8	BALL BEARING 6900LLB		1			
173	267804-5	WAVE WASHER 15		1			
174	326975-8	SHAFT		1			
175	210167-8	BALL BEARING 6900LLB		1			
177	913416-9	SET SCREW M8X12		2			
178	416536-3	WRENCH HOLDER		1			
179	266026-4	TAPPING SCREW BIND CT 4X12		1			
180	951107-4	SPRING PIN 4-14		2			
181	273016-0	GRIP 50 B		1			
182	266440-4	HEX SOCKET HEAD BOLT M5X40		1			
183	251545-3	SHOULDER HEX. BOLT M6		1			
184	144930-6	STOP LEVER COMPLETE		1			
C10	812X87-2	INDICATION LABEL		1			
185	253948-7	WAVE WASHER 8		1			
186	253835-0	FLAT WASHER 8		1			
187	251267-5	+ PAN HEAD SCREW M6		1			
188	327054-5	PIN 9-418		1			
189	253194-2	FLAT WASHER 5		1			
190	257436-6	SLEEVE 5		1			
191	253165-9	FLAT WASHER 8		1			
192	457666-1	SLEEVE 20		1			
193	326977-4	STOPPER PIN		1			

194	222192-7	PULLEY 17-87.8		1				
195	327053-7	HEX. NUT M10-19		1				
196	225102-3	SYNCHRO BELT 15-810		1				
197	232384-0	COMPRESSION SPRING 10		1				
198	253388-9	FLAT WASHER 10		1				
199	252244-0	HEX.LOCK NUT M10-17		1				
200	253024-7	FLAT WASHER 10		1				
201	961057-5	RETAINING RING S-17		1				
202	216413-7	THRUST NEEDLE CAGE 1024		1				
203	253024-7	FLAT WASHER 10		1				
204	216413-7	THRUST NEEDLE CAGE 1024		1				
205	961013-5	STOP RING E-7		1				
206	271437-0	KNOB 22		1				
207	253024-7	FLAT WASHER 10		1				
208	144911-0	ARM COMPLETE		1				
C10	812X88-0	INDICATION LABEL		1				
209	251547-9	HEX.SOCKET HEAD BOLT M8X25		1				
210	458151-7	INDICATION PLATE R		1				
211	266026-4	TAPPING SCREW BIND CT 4X12		1				
212	266034-5	TAPPING SCREW CT 4X16		4				
213	415208-7	RELEASE BUTTON		1				
214	233031-6	COMPRESSION SPRING 12		1				
215	457654-8	DUST GUIDE HOLDER		1				
216	458150-9	INDICATION PLATE L		1				
217	266026-4	TAPPING SCREW BIND CT 4X12		1				
218	253389-7	WASHER 94		1				
219	422229-2	DUST GUIDE		1				
220	319593-9	STOPPER		1				
221	231646-3	TORSION SPRING 14		1				
222	253744-3	FLAT WASHER 12		1				
223	961052-5	RETAINING RING S-12		1				
224	266026-4	TAPPING SCREW BIND CT 4X12		2				
225	457668-7	HOLDER		2				
226	144925-9	UPPER FENCE R COMPLETE		1				
C10	810503-4	CAUTION LABEL		1				
227	144922-5	UPPER FENCE L COMPLETE		1				
C10	810503-4	CAUTION LABEL		1				
228	922458-2	H.S.H.BOLT M8X35 WITH WR		4				

229	251887-5	SCREW M6X10		2				
230	251561-5	H.SOCKET HEAD SET SCREW M10X12		2				
231	319565-4	GUIDE FENCE		1				
232	266026-4	TAPPING SCREW BIND CT 4X12		6				
233	451201-7	KERF BOARD		2				
235	265442-7	HEX. BOLT M8X40		1				
236	253852-0	FLAT WASHER 8		2				
237	216413-7	THRUST NEEDLE CAGE 1024		1				
238	266385-6	TAPPING SCREW 4X14		2				
239	458147-8	BEVEL SCALE PLATE		1				
240	251547-9	HEX.SOCKET HEAD BOLT M8X25		1				
241	251547-9	HEX.SOCKET HEAD BOLT M8X25		1				
243	813L22-1	CAUTION LABEL		2				
244	266026-4	TAPPING SCREW BIND CT 4X12		2				
245	457702-3	INDICATION PLATE		2				
246	326970-8	LOCK PIN 8		1				
247	234122-6	COMPRESSION SPRING 6		1				
249	457657-2	LEVER 25		1				
250	253804-1	FLAT WASHER 6		1				
251	961018-5	STOP RING E-5		2				
252	144928-3	TURN BASE COMPLETE		1				
D10		INC. 243,253						
253	812X85-6	CAUTION LABEL		1				
254	326973-2	ROD 12		1				
255	286039-9	CAP		2				
256	326976-6	CENTER SHAFT		1				
257	911113-1	PAN HEAD SCREW M4X10 WITH WR		2				
258	231325-3	COMPRESSION SPRING 6		1				
259	310803-7	TURN STOPPER		1				
260	347217-7	LEVER PLATE		1				
261	256186-0	PIN 5		1				
262	911231-5	PAN HEAD SCREW M5X20		2				
263	347219-3	STOPPER HOLDER		1				
264	327052-9	LOCK ROD		1				
265	457656-4	LOCK LEVER		1				
266	327051-1	LOCK PIN 6		1				
267	256158-5	PIN 3		1				
268	231325-3	COMPRESSION SPRING 6		1				
269	347237-1	CAM PLATE		1				
270	319592-1	PIN HOLDER		1				

271	922231-0	HEX. SOCKET HEAD BOLT M5X20	2				
272	347216-9	LOCK PLATE	1				
274	326972-4	ROD 6	1				
275	961011-9	STOP RING E-4	1				
276	257425-1	RING 5	2				
277	253194-2	FLAT WASHER 5	2				
278	922231-0	HEX. SOCKET HEAD BOLT M5X20	2				
279	911113-1	PAN HEAD SCREW M4X10 WITH WR	1				
280	144656-0	LEVER 25 COMPLETE	1				
C10	263005-3	RUBBER PIN 6	1				
281	911008-8	PAN HEAD SCREW M3X8	1				
282	345272-3	LOCK LEVER PLATE	1				
283	273015-2	GRIP 50A	1				
284	266026-4	TAPPING SCREW BIND CT 4X12	2				
285	457655-6	SLIDE PLATE	1				
286	347412-9	MITER SCALE PLATE	1				
287	251546-1	+ PAN HEAD SCREW M5	4				
288	347218-5	MITER LOCK PLATE	1				
289	265786-5	SCREW M5X16	2				
290	310891-4	BASE	1				
291	421845-7	FOOT	4				
292	267195-4	FLAT WASHER 4	4				
293	266026-4	TAPPING SCREW BIND CT 4X12	4				
294	327315-3	ROD 12	4				
295	961015-1	STOP RING E-9	2				
296	266026-4	TAPPING SCREW BIND CT 4X12	1				
297	266318-1	H.S.SET SCREW(FLAT POINT)M4X6	1				
299	232249-6	LEAF SPRING	1				
300	266026-4	TAPPING SCREW BIND CT 4X12	1				
302	327145-2	HOLDER 90	1				
303	266213-5	H.S.SET SCREW(FLAT POINT)M5X12	1				
304	232249-6	LEAF SPRING	1				
305	922443-5	H.S.H.BOLT M8X25 WITH WR	4				
306	347509-4	SUB FENCE	2				
307	319815-7	SUB BASE	2				
308	911113-1	PAN HEAD SCREW M4X10 WITH WR	4				
A01	122852-0	DUST BAG ASS'Y	1				

C10	410602-8	FASTENER		1				
A02	126617-2	WISE ASS'Y		1				
A03	762001-3	TRIANGULAR RULE		1				
A04	783208-8	HEX. WRENCH 2.5		1				
A06	B-67474	TCT BLADE305X100T WOOD EFFICUT		1				
A07	781044-6	HEX. WRENCH 6		1				

Please order the parts with part number.

Print Date 2019/7/30