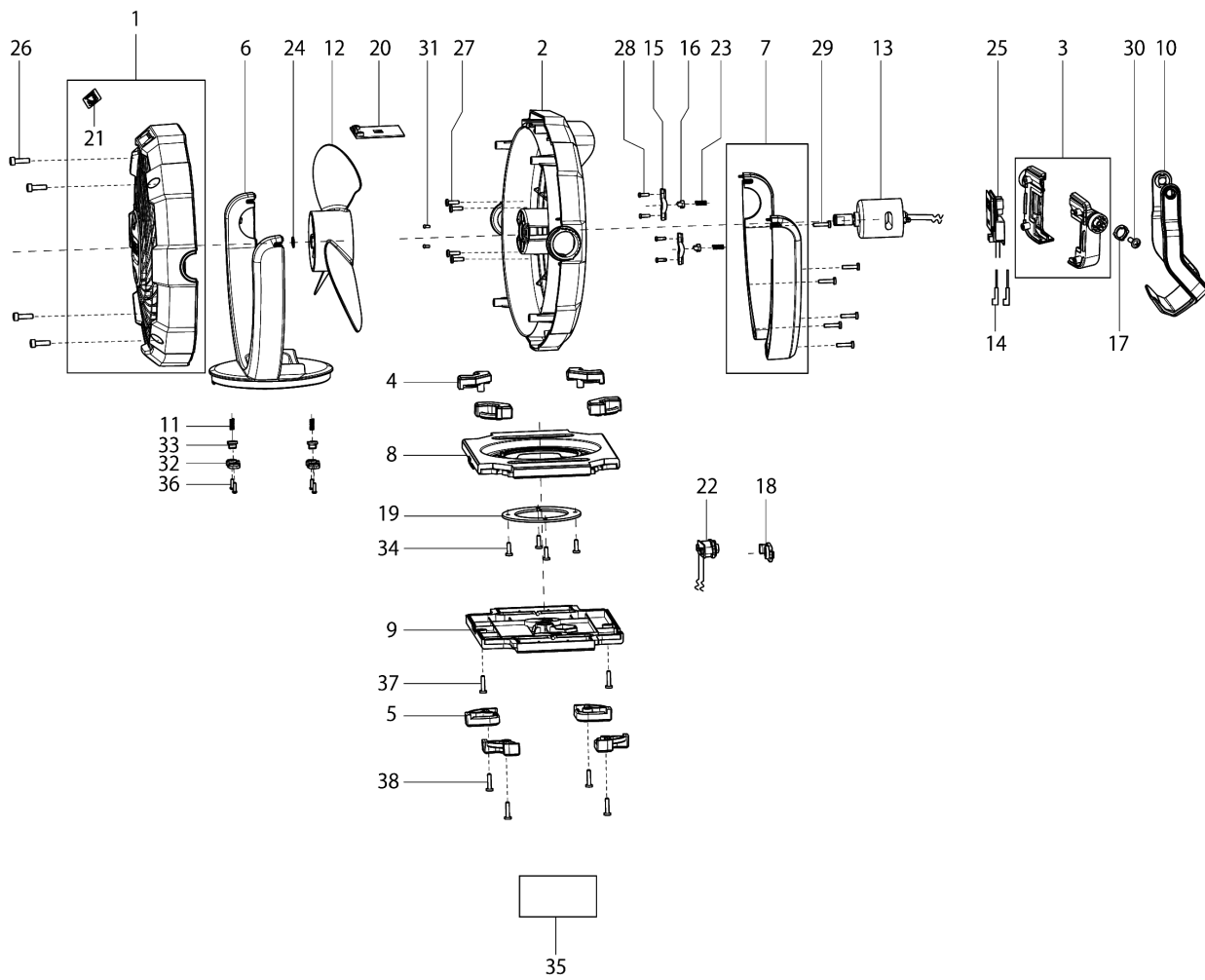


Model No.CF100D CORDLESS FAN



Model No.CF100D CORDLESS FAN

分解圖號	零件編號	品名	交換	數量	New/Old	選擇1	選擇2	註記
001	TE00000177	FRONT COVER		1				
D10		INC. 21						
002	TE00000178	BACK COVER		1				
003	TE00000179	THE BATTERY HOUSING		1				
004	TE00000180	UP INSERT OF BOTTOM		4				
005	TE00000180	UP INSERT OF BOTTOM		4				
006	TE00000181	FRONT COVER OF THE STAND		1				
007	TE00000182	BACK COVER OF THE SUPPORT		1				
008	TE00000183	UP COVER OF THE BASE		1				
009	TE00000184	LOWER COVER OF THE BASE		1				
010	TE00000185	HOOK AND HANDLE		1				
011	TE00000197	SPRING1		2				
012	TE00000186	FAN BLADE		1				
013	TE00000187	MOTOR AND LEAD		1				
014	TE00000188	LEAD WITH INSERTING PIECE		2				
015	TE00000189	STOPPER SUPPORT		2	*			
015-1	TE00000189	STOPPER SUPPORT	O	2				
016	TE00000190	STOPPER		2	*			
016-1	TE00000190	STOPPER	O	2				
017	TE00000191	STOPPER FOR HOOK AND HANDLE		2	*			
017-1	TE00000191	STOPPER FOR HOOK AND HANDLE	O	2				
018	TE00000192	CHARGING SOCKET PLUG		1				
019	TE00000193	WASHER 48		1	*			
019-1	TE00000193	WASHER 48	O	1				
020	TE00000194	PCB		1				
021	TE00000195	SWITCH LABEL		1				
022	TE00000196	PCB DC JACK ASS'Y		1	*			
022-1	TE00000196	PCB DC JACK ASS'Y	O	1				
023	TE00000198	SPRING2		2				
024	TE00000199	CIRCLIP		1				
025	644813-5	TERMINAL		1				
026	TE00000201	HEX TAPPING SCREW 4X14		4	*			
026-1	TE00000201	HEX TAPPING SCREW 4X14	O	4				
027	TE00000202	SCREW 3X10		4				
028	TE00000203	SELF-TAPPING SCREW 2.5X8		4				
029	TE00000204	SCREW 3X14		6				
030	TE00000205	CROSS BELT PAD SCREWS		2				

		4X10						
031	TE00000206	P.H. SCREW M3X5		2				
032	TE00000189	STOPPER SUPPORT		2	*			
032-1	TE00000189	STOPPER SUPPORT	O	2				
033	TE00000190	STOPPER		2	*			
033-1	TE00000190	STOPPER	O	2				
034	TE00000202	SCREW 3X10		4				
035	TE00000232	RATING LABEL		1				
036	TE00000203	SELF-TAPPING SCREW 2.5X8		4				
037	TE00000204	SCREW 3X14		2				
038	TE00000204	SCREW 3X14		4				
039	TE00000239	ADAPTER(TW)		1				

Please order the parts with part number.

Print Date 2019/7/31