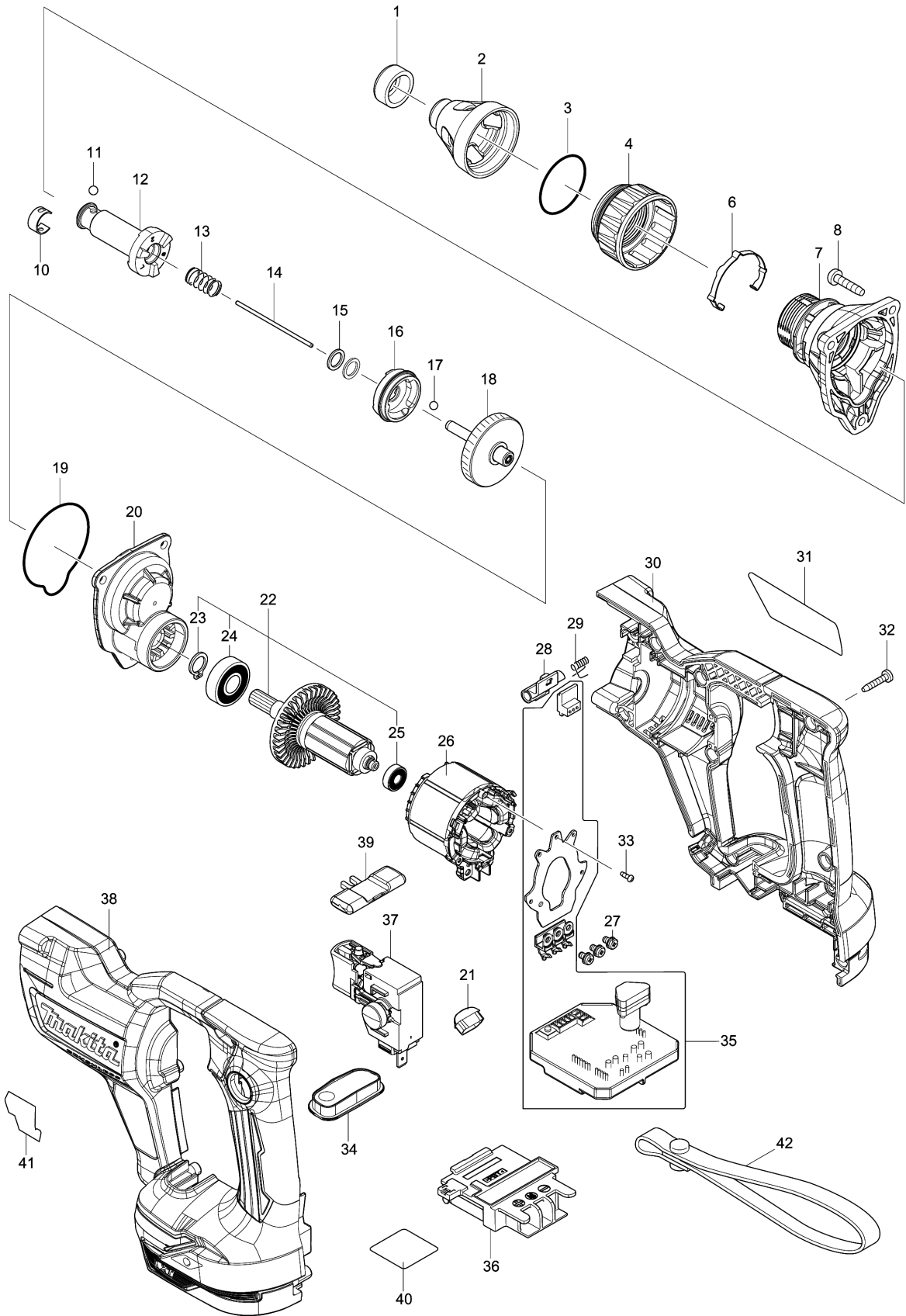


Model No.DFS600 CORDLESS SCREWDRIVER



Model No.DFS600 CORDLESS SCREWDRIVER

分解圖號	零件編號	品名	交換	數量	New/Old	選擇1	選擇2	註記
001	421641-3	RUBBER CAP		1				
002	143218-1	LOCATOR COMPLETE		1				
003	213406-5	O RING 30		1				
004	452371-5	LOCK RING		1				
006	232266-6	LEAF SPRING		1				
007	143352-7	GEAR HOUSING COMPLETE		1				
C10	213824-7	OIL SEAL 14		1				
008	266045-0	TAPPING SCREW 4X20		3				
010	232265-8	LEAF SPRING		1				
011	216001-0	STEEL BALL 3.5		2				
012	140K32-2	SPINDLE 270S COMPLETE		1				
013	234121-8	COMPRESSION SPRING 8		1				
014	268325-0	ROD 2		1				
015	267202-3	FLAT WASHER 8		2				
016	223192-0	CLUTCH CAM 270S		1				
017	216008-6	STEEL BALL 4		3				
018	140K31-4	GEAR COMPLETE		1				
C10	424663-2	SEAL		1				
019	424664-0	SEAL RING		1				
020	140K34-8	GEAR HOUSING COVER COMPLETE		1				
021	620549-0	LED CIRCUIT		1				
022	519558-3	ROTOR ASSEMBLY		1				
D10		INC. 23-25						
023	961005-4	RETAINING RING S-9		1				
024	211493-8	BALL BEARING 609DDW		1				
025	210039-7	BALL BEARING 695DDW		1				
026	629405-1	STATOR		1				
027	652069-6	FLAT HEAD SCREW M3X6		3				
028	142908-3	LEVER COMPLETE		1				
029	233619-2	TORSION SPRING 3		1				
030	183L64-2	HOUSING SET		1				
C10	263005-3	RUBBER PIN 6		2				
C20	252126-6	HEX. LOCKING NUT M4-7		2				
D10		INC. 38						
031	855T51-6	DFS600 NAME PLATE		1				
032	266130-9	TAPPING SCREW BIND PT 3X16		8				
033	266490-9	TAPPING SCREW PT 2X6		3				
034	140L51-4	SWITCH PLATE COMPLETE		1				

Model No.DFS600 CORDLESS SCREWDRIVER

分解圖號	零件編號	品名	交換	數量	New/Old	選擇1	選擇2	註記
035	620A95-9	CONTROLLER		1				
036	643874-2	TERMINAL		1				
037	651088-9	SWITCH C3JW-4B-1L		1				
038	183L64-2	HOUSING SET		1				
C10	263005-3	RUBBER PIN 6		2				
C20	252126-6	HEX. LOCKING NUT M4-7		2				
D10		INC. 30						
039	455053-8	F/R CHANGE LEVER		1				
040	855T53-2	DFS600 SERIAL NO. LABEL		1				
041	819J95-0	6000 RPM INDICATION LABEL		1				
042	163400-6	HANDSTRAP		1				
A01	266622-8	+ TRUSS HEAD SCREW M4X12		1				
A02	346317-0	HOOK		1				
A03	784229-3	PHILLIPS BIT 2-45		1				

Please order the parts with part number.

Print Date 2019/7/26