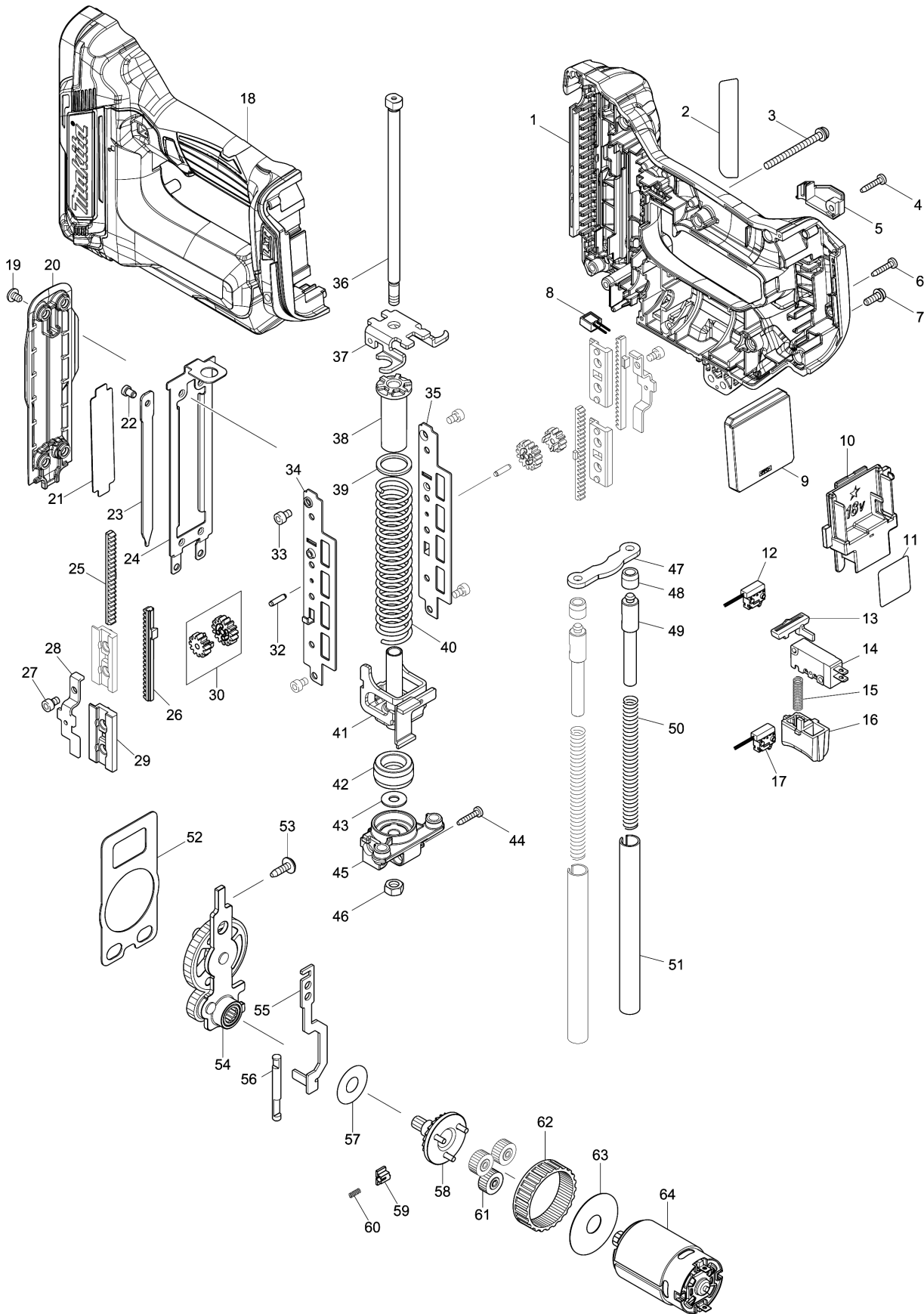
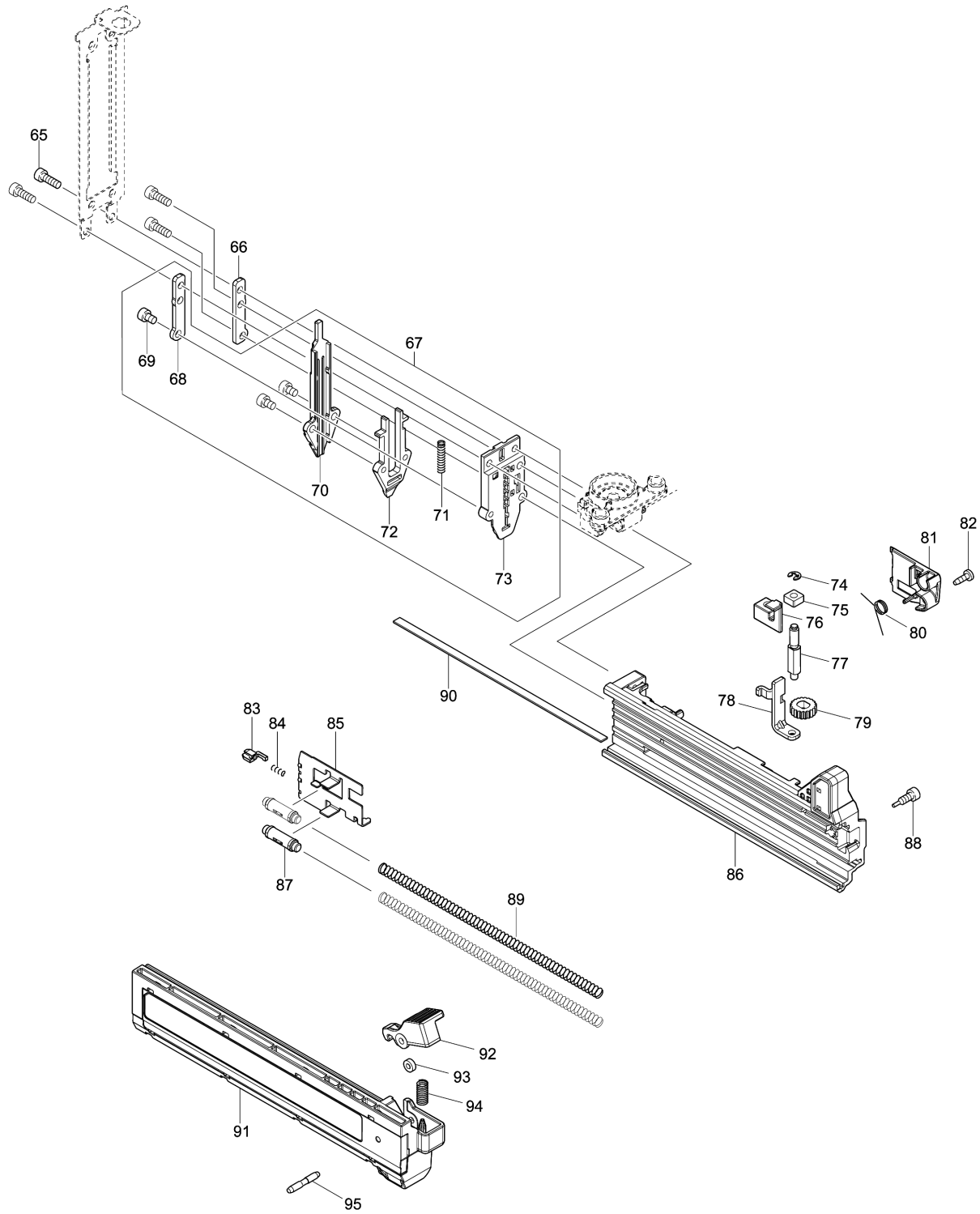


Model No.DFN350 35MM CORDLESS BRAD NAILER



Model No.DFN350 35MM CORDLESS BRAD NAILER



Model No.DFN350 35MM CORDLESS BRAD NAILER

分解圖號	零件編號	品名	交換	數量	New/Old	選擇1	選擇2	註記
001	183L67-6	HOUSING SET		1				
C10	263005-3	RUBBER PIN 6		2				
C20	252126-6	HEX. LOCKING NUT M4-7		2				
C30	931102-0	HEX. NUT M4		1				
D10		INC. 18						
002	855T69-7	DFN350 NAME PLATE		1				
003	911173-3	PAN HEAD SCREW M4X45		1				
004	266130-9	TAPPING SCREW BIND PT 3X16		1				
005	457385-9	HOUSING R COVER		1				
006	266130-9	TAPPING SCREW BIND PT 3X16		8	*			
006-1	266130-9	TAPPING SCREW BIND PT 3X16	<	7				
007	911118-1	PAN HEAD SCREW M4X12		2				
008	620507-6	LED CIRCUIT		1				
009	632N38-7	CONTROLLER UNIT		1				
010	643860-3	TERMINAL		1				
011	855T76-0	DFN350 SERIAL NO. LABEL		1				
012	632G60-2	SWITCH UNIT		1				
013	456799-9	TRIGGER LOCK		1				
014	651910-0	SWITCH D2VW-01-3HS		1				
015	232370-1	COMPRESSION SPRING 5		1				
016	457386-7	TRIGGER		1				
017	632K06-2	SWITCH UNIT		1				
018	183L67-6	HOUSING SET		1				
C10	263005-3	RUBBER PIN 6		2				
C20	252126-6	HEX. LOCKING NUT M4-7		2				
C30	931102-0	HEX. NUT M4		1				
D10		INC. 1						
019	915101-0	BINDING HEAD SCREW M4X6		4				
020	459369-3	FRONT COVER		1				
021	347528-0	UPPER PLATE		1				
022	256882-0	FLAT FILLISTER HD. PIN 4		1				
023	347519-1	DRIVER		1				
024	347521-4	RAIL		1				
025	310924-5	COUNTER WEIGHT A		2				
026	310925-3	COUNTER WEIGHT B		2				
027	251566-5	H.S.H BOLT M4X6 WITH W		2				
028	347146-4	PINION GUIDE		2				

Model No.DFN350 35MM CORDLESS BRAD NAILER

分解圖號	零件編號	品名	交換	數量	New/Old	選擇1	選擇2	註記
029	457390-6	COUNTER WEIGHT HOLDER		4				
030	136104-3	SPUR GEAR ASSEMBLY		2				
032	326902-5	PINION SHAFT		2				
033	266199-3	HEX.SOCKET HEAD BOLT M4X6		4				
034	347145-6	GUIDE RAIL R		1				
035	347144-8	GUIDE RAIL L		1				
036	326903-3	GUIDE BOLT		1				
037	347526-4	BOTTOM PLATE		1				
038	459311-4	SPRING HOLDER		1				
039	347522-2	SPRING BASE		1				
040	232511-9	COMPRESSION SPRING 17		1				
041	347524-8	HAMMER		1	*			
041-1	347657-9	HAMMER	<	1				
042	422457-9	CUSHION		1				
043	253804-1	FLAT WASHER 6		1				
044	266130-9	TAPPING SCREW BIND PT 3X16		1				
045	319824-6	HOLDER		1				
046	252273-3	HEX. NUT M6		1				
047	347527-2	COUNTER STOPPER		1				
048	422456-1	COUNTER CUSHION		2				
049	326904-1	WEIGHT		2				
050	232363-8	COMPRESSION SPRING 7		2				
051	327328-4	GUIDE PIPE		2				
052	347525-6	GEAR PLATE		1				
053	266901-4	TAPPING SCREW 4X14		1				
054	140K45-3	SPUR GEAR 61 COMPLETE		1				
055	347139-1	LOCK ARM		1				
056	327327-6	LOCK PIN		1				
057	253353-8	THIN WASHER 10		1				
058	140K48-7	SPUR GEAR 8 COMPLETE		1				
059	310945-7	LOCK BLOCK		1				
060	232513-5	COMPRESSION SPRING 3		1				
061	221961-3	SPUR GEAR 27		3				
062	227166-3	INTERNAL GEAR 69		1				
063	267053-4	FLAT WASHER 12		1				
064	629408-5	DC MOTOR		1				
065	922117-8	HEX. SOCKET HEAD BOLT M4X12		4				

Model No.DFN350 35MM CORDLESS BRAD NAILER

分解圖號	零件編號	品名	交換	數量	New/Old	選擇1	選擇2	註記
066	347523-0	PLATE		1				
067	127291-9	DRIVER GUIDE ASSEMBLY		1				
D10		INC. 68-73						
068	347523-0	PLATE		1				
069	922102-1	HEX. SOCKET HEAD BOLT M4X6		3				
070	310942-3	DRIVER GUIDE		1				
071	232512-7	COMPRESSION SPRING 3		1				
072	310943-1	CENTER PLATE		1				
073	310941-5	SET PLATE		1				
074	961017-7	STOP RING E-3		1				
075	264050-1	SQUARE NUT M5-8		1	*			
075-1	264050-1	SQUARE NUT M5-8	S	1				
076	459309-1	CONTACT ARM		1	*			
076-1	412237-1	CONTACT ARM	<	1				
077	327326-8	ADJUSTER SHAFT		1				
078	347529-8	ARM		1				
079	459310-6	ADJUSTER		1				
080	232514-3	TORSION SPRING 7		1				
081	459312-2	ADJUSTER COVER		1				
082	266007-8	TAPPING SCREW BIND PT 3X10		1				
083	310176-8	STOPPER		1				
084	233018-8	COMPRESSION SPRING 3		1				
085	347520-6	PUSHER		1				
086	459305-9	MAGAZINE		1				
087	459313-0	SLEEVE		2				
088	265A52-6	HEX.SOCKET HEAD BOLT M4X14		1				
089	234325-2	COMPRESSION SPRING 6		2				
090	346774-2	NAIL PLATE		1				
091	140K97-4	SLIDE DOOR COMPLETE		1				
092	457388-3	LEVER		1				
093	262054-7	URETHANE RING 3		1				
094	233117-6	COMPRESSION SPRING 6		1				
095	256877-3	PIN 3		1				
096	253334-2	THIN WASHER 5		1				
A01	195246-2	SAFETY GOGGLE		1				
A02	251314-2	+ SCREW M4X12		1				
A03	346317-0	HOOK		1				
A04	422464-2	NOSE ADAPTER		1				

Model No.DFN350 35MM CORDLESS BRAD NAILER

分解圖號	零件編號	品名	交換	數量	New/Old	選擇1	選擇2	註記
A05	783201-2	HEX. WRENCH 3		1				
A06	140J12-2	PLASTIC CASE COMPLETE		1				
C10	162302-3	LATCH		2				
C20	324319-6	SHAFT		1				
C30	451749-9	HANDLE		1				
C40	835A38-0	INNER TRAY		1				

Please order the parts with part number.

Print Date 2019/7/29