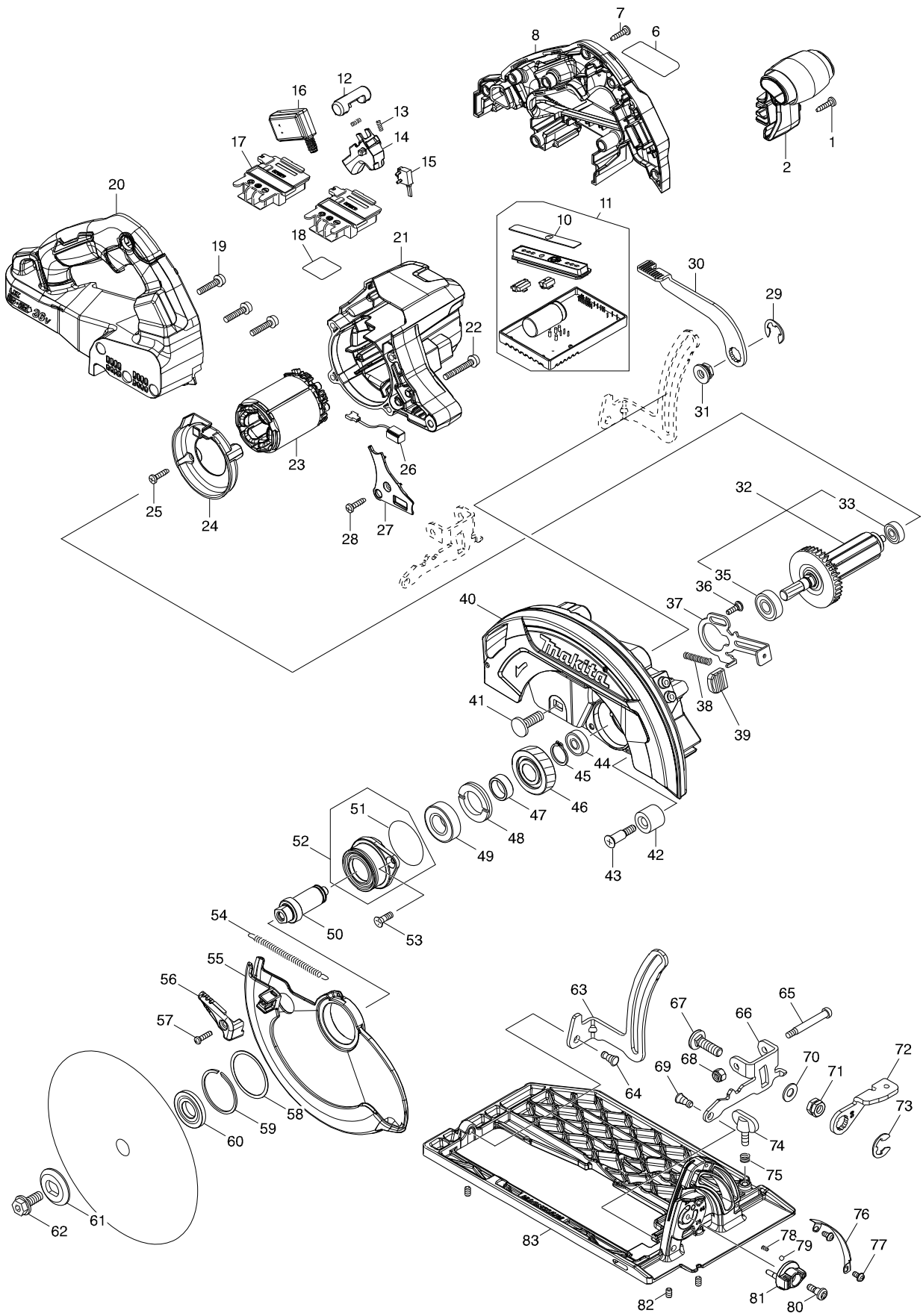


型號 DHS780 185MM CORDLESS CIRCULAR SAW



型號 DHS780 185MM CORDLESS CIRCULAR SAW

頁次 1 / 2

分解圖號	零件編號	品名	交換	數量	N/O	選擇1	選擇2	註記
001	266326-2	TAPPING SCREW 4X18		1				
002	458750-5	FRONT GRIP		1				
006	854X94-9	DHS780 NAME PLATE		1				
007	266326-2	TAPPING SCREW 4X18		8				
008	183K51-5	HANDLE SET		1				
C10	263005-3	RUBBER PIN 6		4				
D10		INC. 20						
010	812G25-2	INDICATION LABEL		1				
011	620983-4	CONTROLLER COMPLETE		1				
D10		INC. 10						
012	419704-7	LOCK OFF BUTTON		1				
013	231433-0	COMPRESSION SPRING 4		2				
014	458594-3	SWITCH LEVER		1				
015	632M92-5	SWITCH UNIT		1				
016	651083-9	SWITCH C3XA-1PSPM		1				
017	643874-2	TERMINAL		2				
018	854Y00-0	DHS780 SERIAL NO. LABEL		1				
019	911243-8	PAN HEAD SCREW M5X25		3				
020	183K51-5	HANDLE SET		1				
C10	263005-3	RUBBER PIN 6		4				
D10		INC. 8						
021	458746-6	MOTOR HOUSING		1				
022	911258-5	PAN HEAD SCREW M5X35		4				
023	629375-4	STATOR		1				
024	458749-0	BAFFLE PLATE		1				
025	266326-2	TAPPING SCREW 4X18		2				
026	620936-3	LED CIRCUIT		1				
027	458751-3	LIGHT COVER		1				
028	266326-2	TAPPING SCREW 4X18		1				
029	257953-6	BOW STOP RING E-12		1				
030	271447-7	LEVER 110		1				
031	252262-8	COLLERED HEX. NUT M8		1				
032	519534-7	ROTOR ASSY		1				
D10		INC. 33,35						
033	210022-4	BALL BEARING 626DDW		1				
035	210059-1	BALL BEARING 6000DDW		1				
036	251529-1	+ PAN HEAD SCREW M4X14		1				
037	347441-2	SHAFT LOCK		1				
038	232381-6	COMPRESSION SPRING 6		1				
039	286039-9	CAP		1				
040	140F65-7	BLADE CASE COMPLETE		1				
C10	213434-0	O RING 26		1				
C20	818C46-8	SCALE LABEL		1				
C30	807V70-0	CAUTION LABEL		1				
041	266396-1	FLATHEAD SQUARENECKBOLT M8X24		1				
042	262185-2	RUBBER SLEEVE8		1				
043	251572-0	+ COUNTERSUNK HEAD SCREW M6X3		1				
044	210029-0	BALL BEARING 608ZZ		1				

請訂購一個零件。

列印日期 2019/01/22

型號 DHS780 185MM CORDLESS CIRCULAR SAW

分解圖號	零件編號	品名	交換	數量	N/O	選擇1	選擇2	註記
045	961057-5	RETAINING RING S-17		1				
046	226838-7	HELICAL GEAR 37		1				
047	257451-0	RING 17		1				
048	285809-3	BEARING RETAINER 23-36		1				
049	210301-0	BALL BEARING 6003DDW		1				
050	327192-3	SPINDLE		1				
051	213565-5	O RING 42		1				
052	136021-7	BEARING BOX ASSY		1				
D10		INC. 51						
053	265034-2	+ COUNTERSUNK HEAD SCREW M5X1		2				
054	232467-6	TENSION SPRING 4		1				
055	319740-2	SAFETY COVER		1				
056	271448-5	LEVER 37		1				
057	265178-8	PAN HEAD SCREW M4X16		1				
058	267337-0	FLAT WASHER 40		1				
059	257452-8	RETAINING RING (EXT) WR-40		1				
060	224441-8	INNER FLANGE 35		1				
061	224409-4	OUTER FLANGE 35		1				
062	266283-4	HEX. SOCKET HEX. BOLT M8X20		1				
063	347439-9	DEPTH GUIDE		1				
064	256511-5	SHOULDER PIN 6-7		1				
065	265075-8	+ PAN HEAD SCREW M5		1				
066	347440-4	ANGULAR GUIDE		1				
067	266227-4	CAP SQUARE NECK BOLT M8X28		1				
068	252103-8	HEX. LOCK NUT M5-8		1				
069	256511-5	SHOULDER PIN 6-7		1				
070	941201-0	FLAT WASHER 8		1				
071	264006-4	HEX. NUT M8-13		1				
072	346003-3	LEVER PLATE		1				
073	257953-6	BOW STOP RING E-12		1				
074	265701-9	THUMB SCREW M6X14		1				
075	233376-2	COMPRESSION SPRING 8		1				
076	347442-0	SCALE PLATE		1				
077	251358-2	+ PAN HEAD SCREW M4X8		2				
078	233314-4	COMPRESSION SPRING 4		1				
079	216008-6	STEEL BALL 4		1				
080	251370-2	+ PAN HEAD SCREW M5		1				
081	450704-8	DIAL 27		1				
082	266229-0	H.S.SET SCREW(CUP POINT)M5X8		3				
083	319743-6	BASE		1				
A01	196520-1	DUST NOZZLE SET		1				
C10	911128-8	P.H.SCREW M4X16 WITH WR		1				
A02	B-62022	TCT BLADE185X24T WOOD EFFICUT		1				
A03	783204-6	HEX. WRENCH 6		1				

請訂購一個零件。

列印日期 2019/01/22