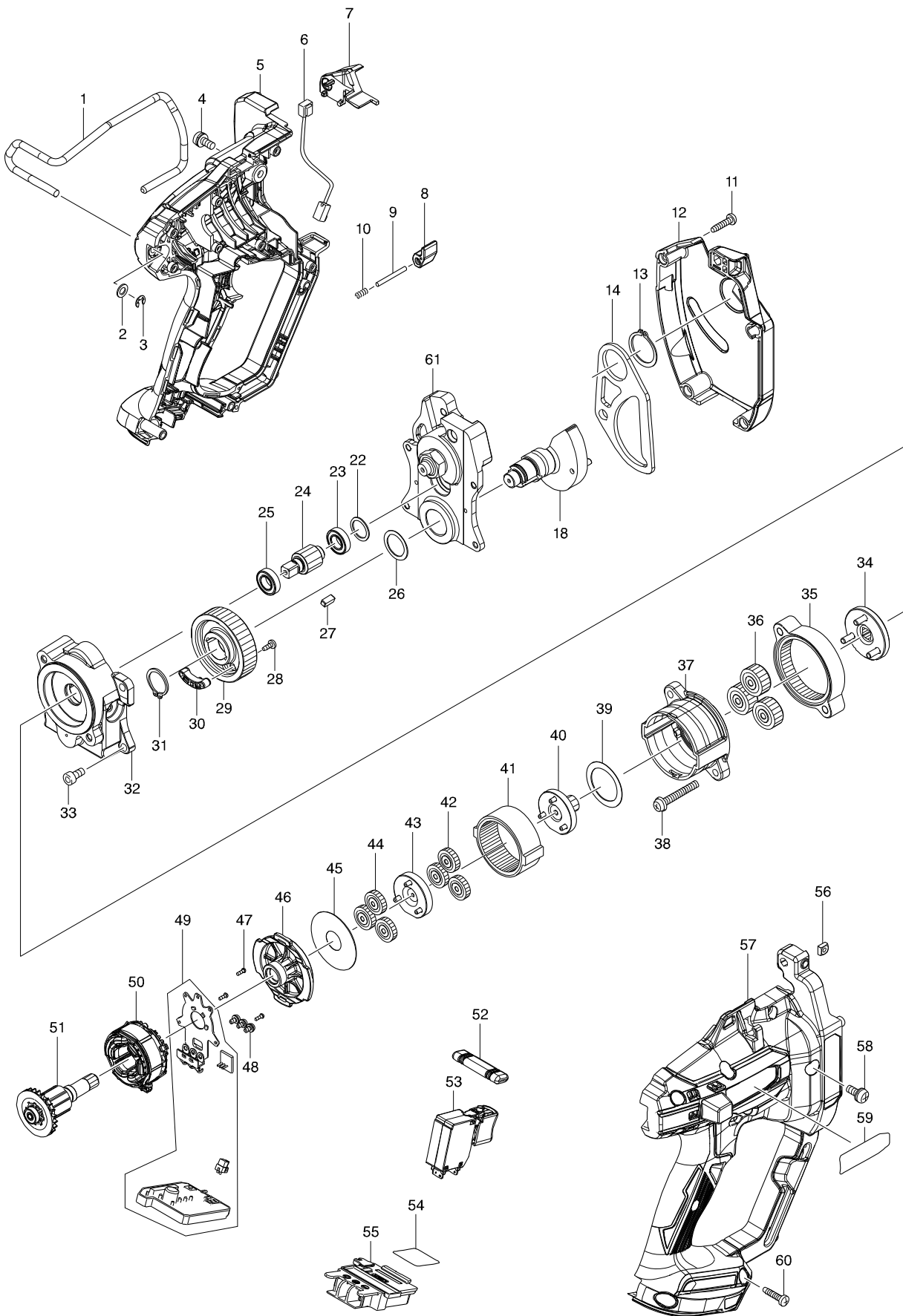


型號 DSC102 CORDLESS THREADED ROD CUTTER



型號 DSC102 CORDLESS THREADED ROD CUTTER

分解圖號	零件編號	品名	交換	數量	N/O	選擇1	選擇2	註記
001	281019-0	HOOK		1				
002	941102-2	FLAT WASHER 5		1				
003	961011-9	STOP RING E-4		1				
004	911213-7	PAN HEAD SCREW M5X12		1				
005	183J34-9	HOUSING SET		1				
C10	263002-9	RUBBER PIN 4		1				
C20	263005-3	RUBBER PIN 6		3				
C30	816U42-8	INDICATION LABEL		1				
C40	816V02-6	CAUTION LABEL		1				
D10		INC. 57						
006	620821-0	LED CIRCUIT		1				
007	458373-9	LED HOLDER		1				
008	458379-7	SCREW GUIDE		1				
009	256267-0	PIN 3		1				
010	231403-9	COMPRESSION SPRING 3		1				
011	265995-6	TAPPING SCREW 4X18		4				
012	140B24-7	FRONT COVER COMPLETE		1				
C10	816U44-4	CAUTION LABEL		1				
013	961104-2	RETAINING RING S-24		1				
014	347350-5	RETURN PLATE		1				
018	144986-9	CAM COMPLETE		1				
022	267447-3	FLAT WASHER 14		1				
023	211485-7	BALL BEARING 6800LLU		1				
024	226168-6	SPUR GEAR 10C		1				
025	211485-7	BALL BEARING 6800LLU		1				
026	253409-7	FLAT WASHER 17		1				
027	254202-2	KEY 4		2				
028	265954-0	TAPPING SCREW BIND PT3X8		2				
029	226169-4	SPUR GEAR 39		1				
030	144990-8	MAGNET HOLDER COMPLETE		1				
031	961057-5	RETAINING RING S-17		1				
032	144992-4	GEAR COVER COMLPETE		1				
033	922212-4	HEX. SOCKET HEAD BOLT M5X12		4				
034	144989-3	CARRIER COMPLETE		1				
035	226166-0	INTERNAL GEAR 48		1				
036	226165-2	SPUR GEAR 19		3				
037	458374-7	GEAR HOUSING		1				
038	911258-5	PAN HEAD SCREW M5X35		2				
039	253792-2	FLAT WASHER 26		1				
040	144988-5	SPUR GEAR 9 COMPLETE		1				
041	226164-4	INTERNAL GEAR 53		1				
042	226163-6	SPUR GEAR 21		3				
043	144987-7	SPUR GEAR 10B COMPLETE		1				
044	226163-6	SPUR GEAR 21		3				
045	253410-2	FLAT WASHER 15		1				
046	458375-5	GEAR HOUSING COVER		1				
047	266490-9	TAPPING SCREW PT 2X6		3				
048	652069-6	FLAT HEAD SCREW M3X6		3				

型號 DSC102 CORDLESS THREADED ROD CUTTER

分解圖號	零件編號	品名	交換	數量	N/O	選擇1	選擇2	註記
049	620820-2	CONTROLLER		1				
050	629339-8	STATOR		1				
051	619512-8	ROTOR		1				
052	458378-9	F/R CHANGE LEVER		1				
053	651367-5	SWITCH		1				
054	854H32-5	DSC102 SERIAL NO. LABEL		1				
055	643874-2	TERMINAL		1				
056	252173-7	SQUARE NUT		1				
057	183J34-9	HOUSING SET		1				
C10	263002-9	RUBBER PIN 4		1				
C20	263005-3	RUBBER PIN 6		3				
C30	816U42-8	INDICATION LABEL		1				
C40	816V02-6	CAUTION LABEL		1				
D10		INC. 5						
058	911213-7	PAN HEAD SCREW M5X12		1				
059	854H30-9	DSC102 NAME PLATE		1				
060	265995-6	TAPPING SCREW 4X18		10				
061	126984-5	CUTTING ARM ASSEMBLY		1				
A01	271445-1	THUMB SCREW M4X10		1				
A02	415486-9	DEPTH GAUGE		1				
A03	458380-2	BLADE COVER		1				
A04	783202-0	HEX. WRENCH 4		1				
A05	922202-7	HEX. SOCKET HEAD BOLT M5X8		2				
A06	199080-2	CUTTER BLADE W3/8 SET		1				
A09B	821551-8	CONNECTOR PLASTIC CASE (TYPE3)		1				
C10	453974-8	LATCH		4				
A10B	816W24-2	DSC102ZJ INDICATION LABEL		1				
A11B	816W26-8	DSC102ZJ PLASTIC CASE LABEL		2				
A12B	839527-1	INNER TRAY		1				