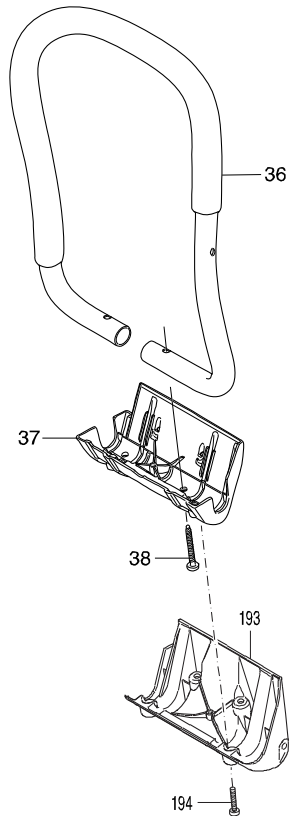
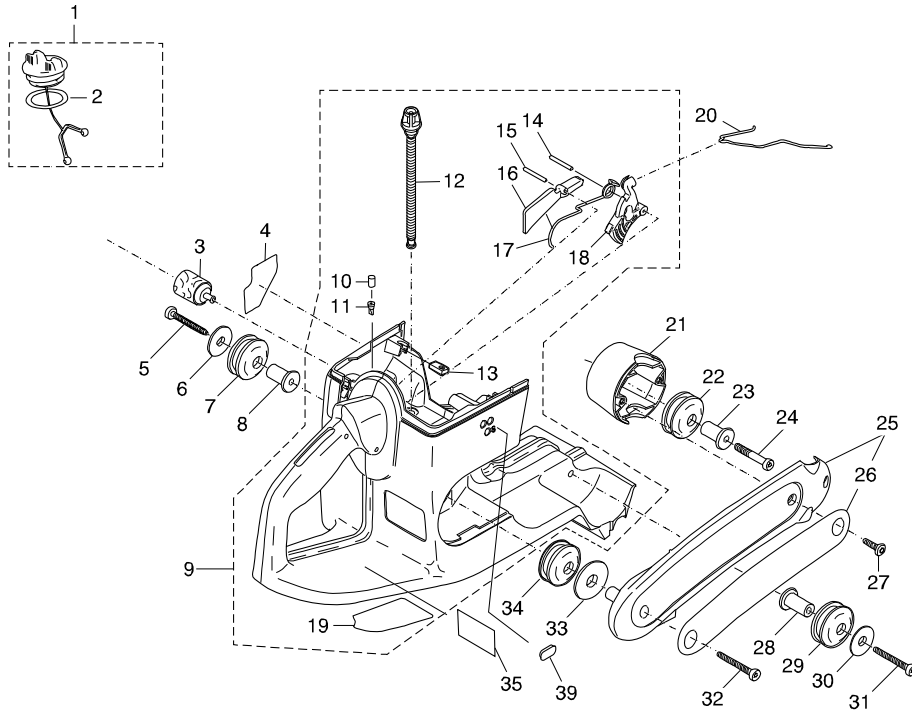
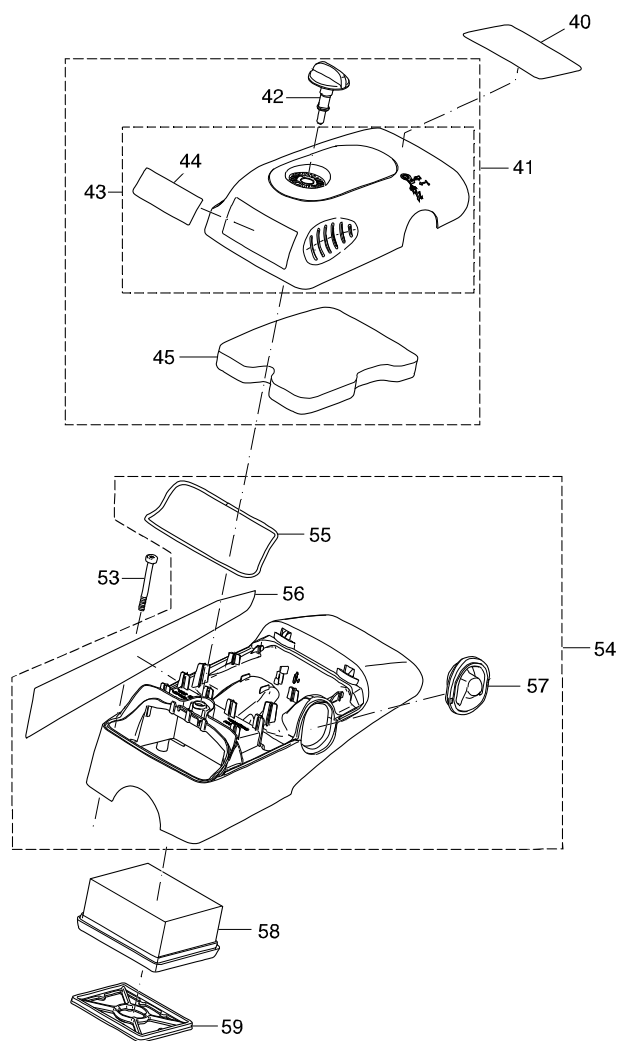


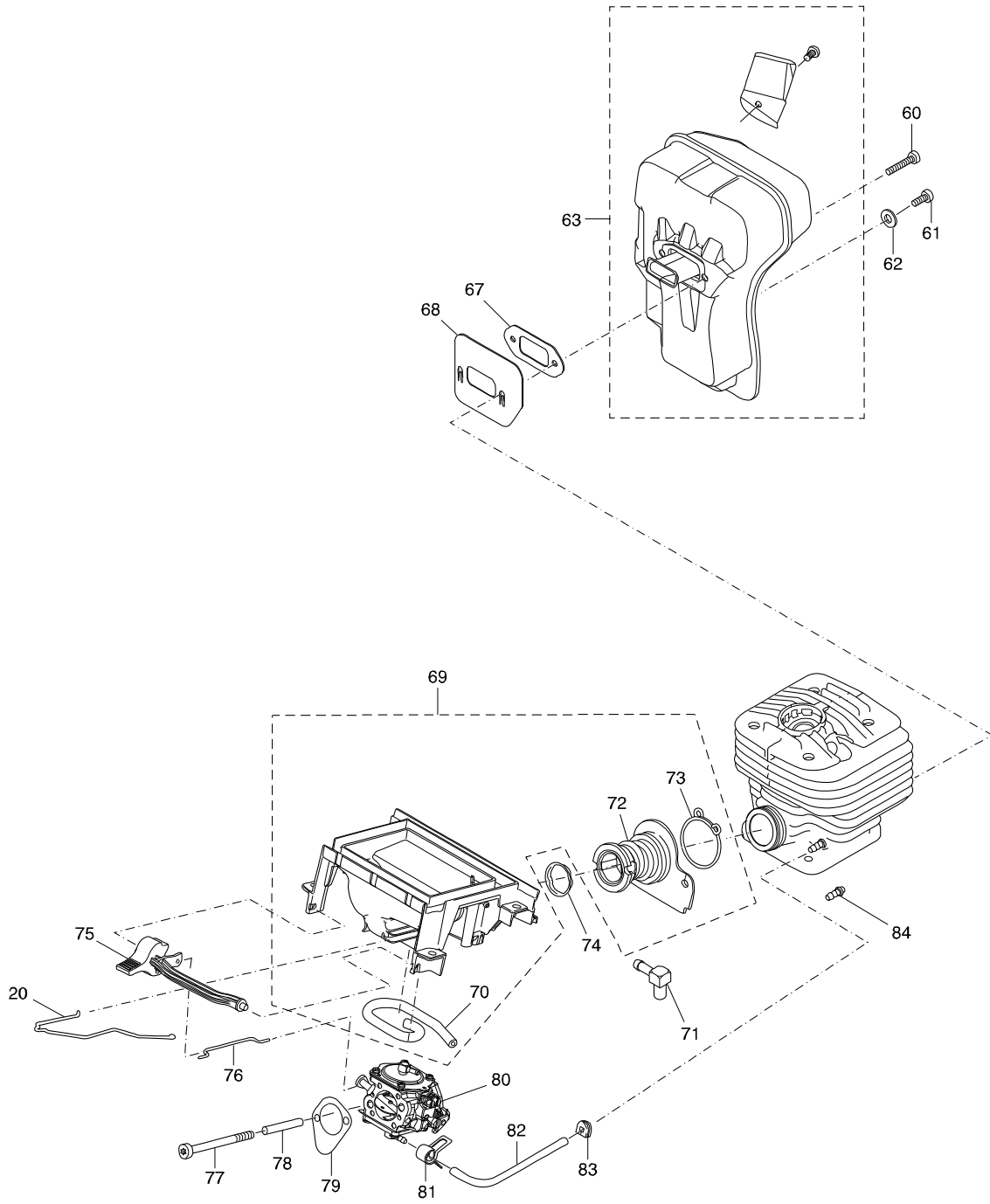
# 型號 EK8100 POWER CUTTER



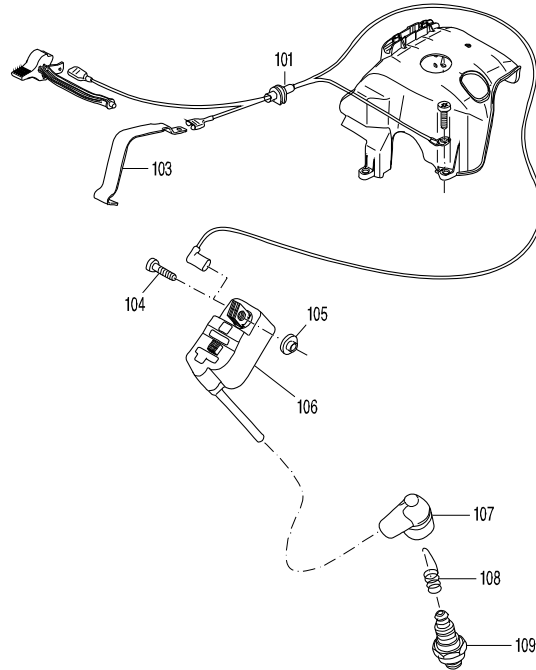
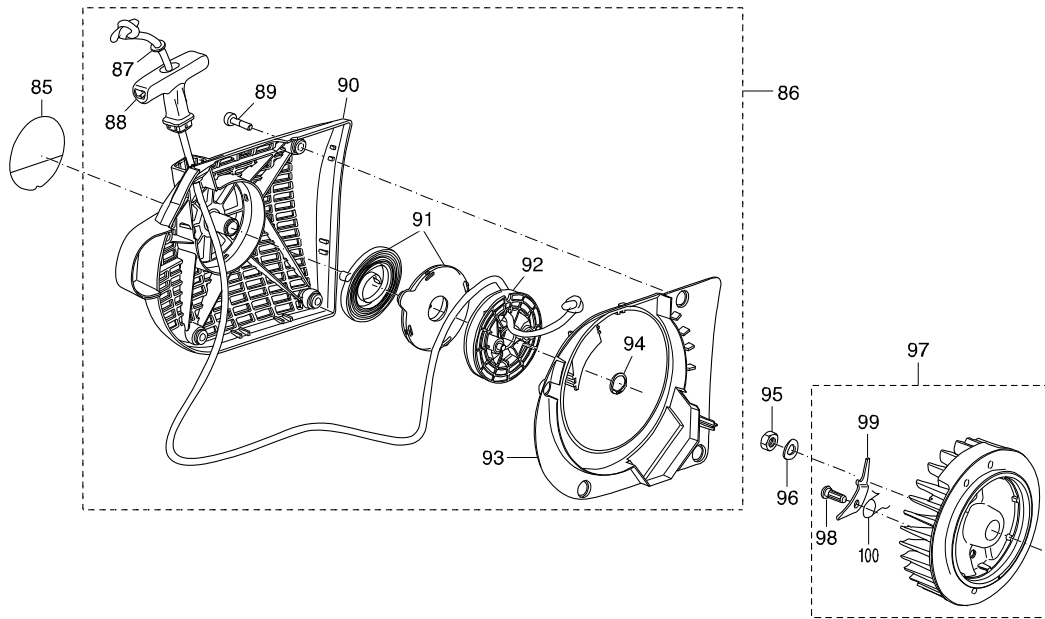
# 型號 EK8100 POWER CUTTER



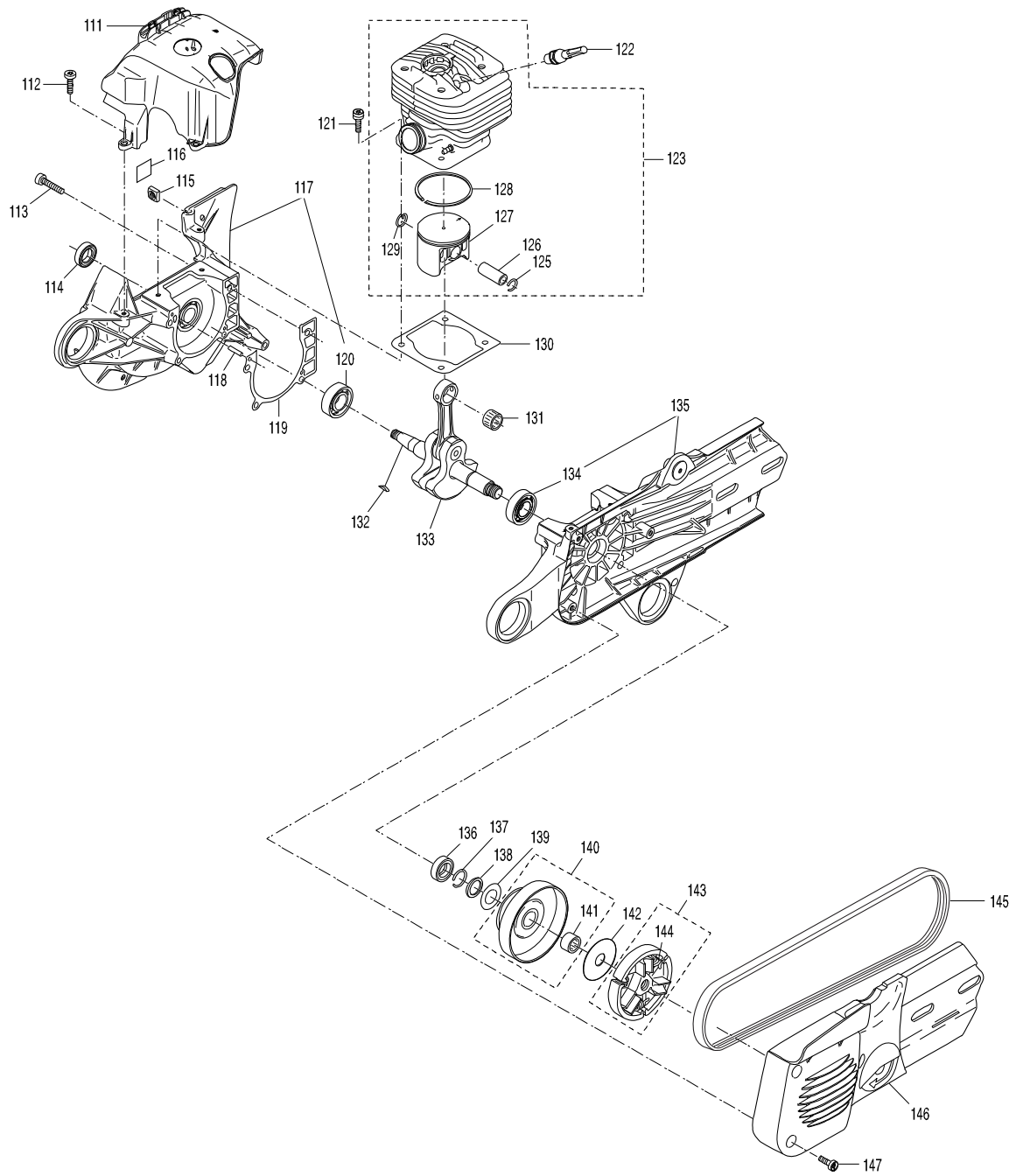
# 型號 EK8100 POWER CUTTER



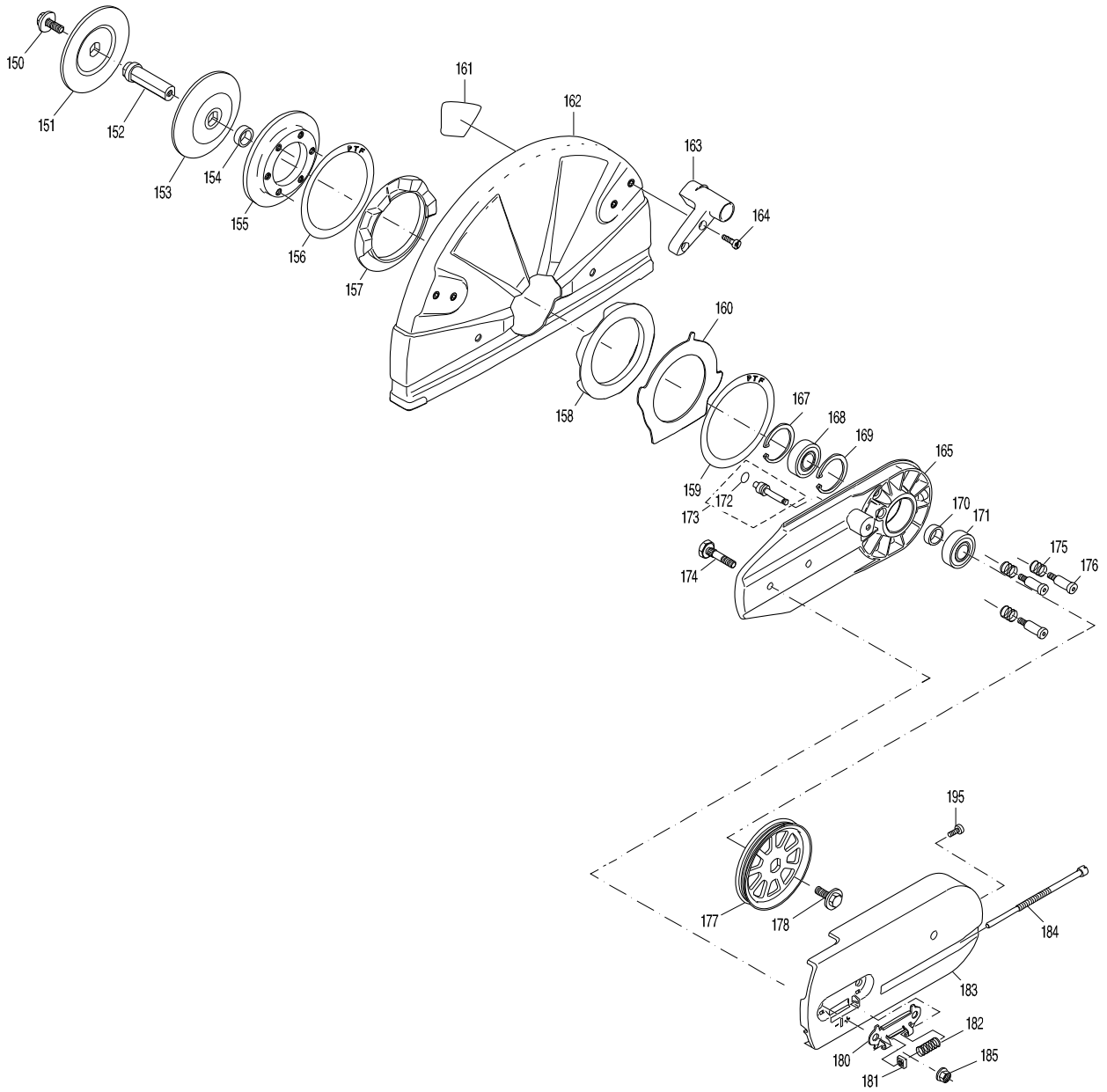
# 型號 EK8100 POWER CUTTER



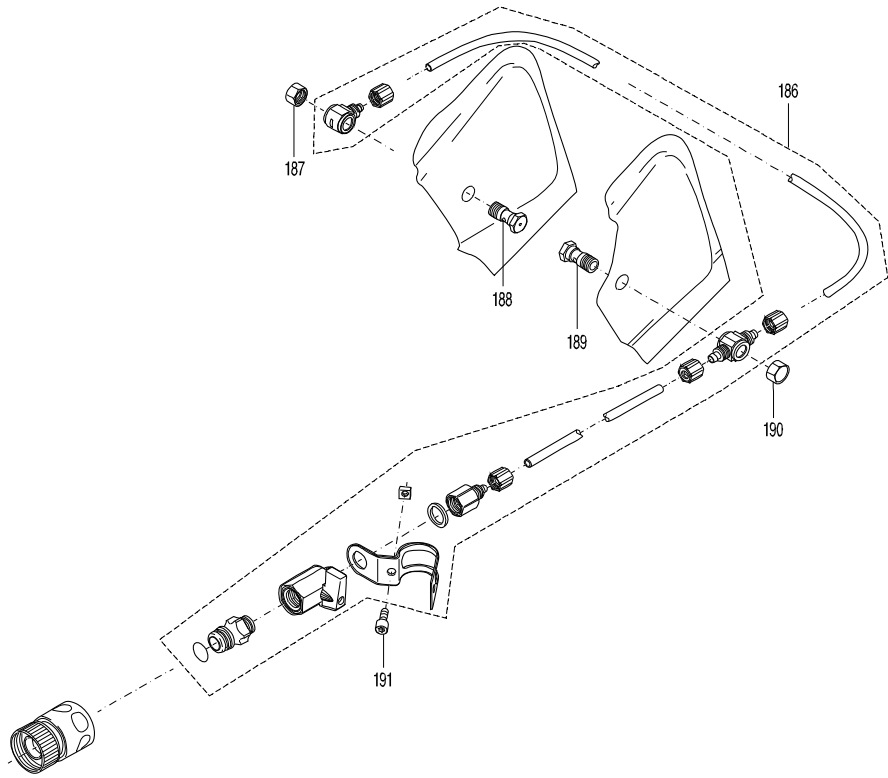
# 型號 EK8100 POWER CUTTER



# 型號 EK8100 POWER CUTTER



型號 EK8100 POWER CUTTER



# 型號 EK8100 POWER CUTTER

分解圖號	零件編號	品名	交換	數量	N/O	選擇1	選擇2	註記
001	168507-3	油箱蓋		1				
D10		INC. 2						
002	213080-9	O 形環 29.5		1				
003	163499-1	SUCTION HEAD		1				
005	266687-0	螺絲 5.5X45		1				
006	346870-6	WASHER 5.8X26X2		1				
007	424695-9	VIBRATION DAMPER		1				
008	319268-0	AXLE FOR VIBRATION DAMPER		1				
009	123321-4	FUEL TANK CPL. BLUE		1				
D10		INC. 10-19						
010	422063-0	SINTER INSERT		1				
011	424170-5	VALVE		1				
012	424723-0	FUEL LINE		1				
013	252897-5	SCREW PLUG		4				
014	268335-7	PIN 3		1				
015	268233-5	PIN 3		1				
016	455821-9	SAFETY LEVER		1				
017	233626-5	SPRING		1				
018	455820-1	THROTTLE LEVER		1				
019	806J47-0	INDICATION LABEL		1				
020	326497-8	THROTTLE LINKAGE		1				
021	455806-5	RETAINER FOR DAMPER BLACK		1				
022	424695-9	VIBRATION DAMPER		1				
023	319268-0	AXLE FOR VIBRATION DAMPER		1				
024	266943-8	H.L. SOCKET HEAD BOLT M5X40		1				
025	143211-5	SIDE SUPPORT MAKITA		1				
D10		INC. 26						
026	806J44-6	MAKITA LOGO LABEL		1				
027	266475-5	螺絲 TORX 5.5X20		2				
028	319268-0	AXLE FOR VIBRATION DAMPER		1				
029	424695-9	VIBRATION DAMPER		1				
030	346870-6	WASHER 5.8X26X2		1				
031	266687-0	螺絲 5.5X45		1				
032	266687-0	螺絲 5.5X45		1				
033	346871-4	WASHER		1				
034	424695-9	VIBRATION DAMPER		1				
035	852C52-3	EK8100 NAME PLATE		1				
036	143097-7	WRAP AROUND HANDLE CPL		1				
037	319270-3	FOOT MACHINED		1				
038	266687-0	螺絲 5.5X45		2				
039	424709-4	ADJUST GUIDE		1				
041	123309-4	COVER CPL. BLACK PRE-FILTER		1				
D10		INC. 43,45						
042	266692-7	指捻螺絲 M6X15		1				
043	123312-5	FILTER COVER COMPLETE		1				
D10		INC. 42,44						
044	806J48-8	CAUTION LABEL		1	*			
044-1	807L79-2	CAUTION LABEL	O	1				

請訂購一個零件。

列印日期 2017/11/17



# 型號 EK8100 POWER CUTTER

分解圖號	零件編號	品名	交換	數量	N/O	選擇1	選擇2	註記
045	424700-2	PRE-FILTER		1				
053	266941-2	H.L. SOCKET HEAD BOLT M5X50		4				
054	123308-6	HOOD CPL. BLACK		1				
D10		INC. 55-57						
055	424697-5	PACKING RING		1				
056	806J50-1	CAUTION LABEL		1				
057	424703-6	DEKO COVER		1				
058	424701-0	AIR FILTER		1				
059	424705-2	INNER FILTER		1				
060	266960-8	H.L. SOCKET HEAD BOLT M5X20		2				
061	266946-2	H.L. SOCKET HEAD BOLT M5X12		1				
062	267821-5	SPRING WASHER 5		1				
063	161338-9	MUFFLER CPL.		1				
067	346876-4	MUFFLER GASKET		1				
068	346868-3	COOLING PLATE		1				
069	123310-9	INTAKE MANIFOLD CPL.		1				
D10		INC. 70,72,73						
070	424699-1	TUBE BLACK RED		1				
071	161311-9	ANGULAR NIPPLE		1				
072	424708-6	INTAKE HOSE		1				
073	233625-7	SPRING CLAMP		1				
074	346867-5	GUIDE RING		1				
075	455808-1	CHOKE SHAFT		1				
076	326496-0	CHOKE LINKAGE		1				
077	266944-6	H.L. SOCKET HEAD BOLT M4X55		2				
078	424710-9	INSULATION TUBE		2				
079	346874-8	GASKET		1				
080	161312-7	CARBURETOR		1				
081	324616-0	軟管夾		1				
082	424698-3	TUBE 3-120		1				
083	424696-7	RUBBER GROMMET		1				
084	326499-4	NIPPLE		1	*			
085	806K78-5	MAKITA LOGO LABEL		1				
086	123357-3	STARTING DEVICE CPL. BLUE		1				
D10		INC. 87-94						
087	267862-1	SPRING WASHER 5		1				
088	452458-3	STARTER GRIP		1				
089	266938-1	H.L. SOCKET HEAD BOLT M5X20		4				
090	123315-9	STARTER HOUSING BLUE		1				
091	140587-1	REWIND SPRING COMPLETE		1				
092	143098-5	CABLE DRUM COMPLETE		1				
093	455805-7	AIR GUIDE PLATE		1				
094	257997-6	RETAINING RING A14X1V		1				
095	264107-8	HEXAGONAL NUT M8		1				
096	267822-3	彈簧墊片 8		1				
097	123306-0	FLYWHEEL D=120 CPL		1				
D10		INC. 98-100						
098	326500-5	BEARING BOLT		2				

請訂購一個零件。

列印日期 2017/11/17

# 型號 EK8100 POWER CUTTER

分解圖號	零件編號	品名	交換	數量	N/O	選擇1	選擇2	註記
099	346865-9	STARTER-RATCHET		2				
100	233535-8	TORSION SPRING 13		2				
101	632E41-4	CABLE WITH PLUG		1				
103	346869-1	CONTACT SPRING		1				
104	266942-0	H.L. SOCKET HEAD BOLT M5X20		2				
105	451462-9	ISOLATING WASHER		2				
106	161310-1	IGNITION COIL CDIM 120-15		1				
107	424706-0	PLUG CAP		1				
108	234358-7	TERMINAL SPRING		1				
109	168517-0	SPARK PLUG		1				
111	455819-6	HOOD		1				
112	266940-4	H.L. SOCKET HEAD BOLT M5X15		3				
113	266945-4	H.L. SOCKET HEAD BOLT M5X30		5				
114	213814-0	RADIAL RING		1				
115	264108-6	SQUARE NUT M5		1				
116	424707-8	RUBBER SHEET		1				
117	143226-2	CRANKCASE MS CPL.		1				
D10		INC. 120						
118	258038-1	CLAMPING PIN		2				
119	346877-2	CRANK CASE GASKET		1				
120	211154-0	BALL BEARING 6202		1				
121	266473-9	TORX SOCKET HEAD BOLT M5X23		4				
122	455804-9	DECOMPRESSION VALVE		1				
123	123441-4	CYLINDER PISTON SET		1	*			
D10		INC. 125-129			*			
123-1	135794-9	CYLINDER ASS'Y	S	1				
D10		INC. 125-129						
125	234359-5	CIRCLIP 12		1				
126	257841-7	PISTON PIN		1				
127	319282-6	PISTON 52		1	*			
127-1	198667-7	PISTON SET	X	1				
D10		INC. 125,126,128,129						
128	257381-5	PISTON RING 52		1				
129	234359-5	CIRCLIP 12		1				
130	346873-0	GASKET		1				
131	212133-1	PISTON PIN BEARING 12X16X13		1				
132	254042-8	WOODRUFF-KEY 3X3		1				
133	143109-6	CRANKSHAFT CPL.		1				
134	211154-0	BALL BEARING 6202		1				
135	143225-4	CRANKCASE CS CPL		1				
D10		INC. 134						
136	213814-0	RADIAL RING		1				
137	234366-8	SNAP RING A 16		1				
138	346872-2	STOP RING		1				
139	346866-7	GUIDE DISK		1				
140	161318-5	CLUTCH DRUM CPL.		1				
D10		INC. 141						
141	212134-9	NEEDLE ROLLER BEARING 15X21X16		1				

請訂購一個零件。

列印日期 2017/11/17

# 型號 EK8100 POWER CUTTER

分解圖號	零件編號	品名	交換	數量	N/O	選擇1	選擇2	註記
142	267389-1	FLAT WASHER 12		1				
143	123305-2	CLUTCH CPL		1				
D10		INC. 144						
144	231892-8	TENSION SPRING		3	*			
144-1	231896-0	TENSION SPRING	O	3	*			
144-2	232352-3	TENSION SPRING	O	3				
145	424711-7	V-BELT		1				
146	455832-4	CLUTCH COVER		1				
147	266947-0	H.L. SOCKET HEAD BOLT M5X14		3				
150	266976-3	HEX. BOLT M8X25		1				
151	224443-4	凸輪 102		1				
152	326503-9	AXLE		1				
153	224443-4	凸輪 102		1				
154	257375-0	SPACER 8MM		1				
155	318746-7	壓環		1				
156	442169-8	滑動盤		1				
157	424426-6	橡膠環 (內側)		1				
158	424427-4	橡膠環 (外側)		1				
159	442169-8	滑動盤		1				
160	346455-8	衝擊板		1				
161	807B76-8	CAUTION LABEL		1	*			
161-1	807B76-8	CAUTION LABEL	O	1				
162	347005-2	HOOD		1	*			
162-1	143794-5	HOOD COMPLETE	<	1				
D10		INC. 161						
163	452938-9	手柄		1				
164	266725-8	螺栓 M5X16		2				
165	319289-2	CUTTING DEVICE		1				
167	257998-4	RETAINING RING 40X1		1				
168	211281-3	培林 6203LLU		1				
169	257998-4	RETAINING RING 40X1		1				
170	257375-0	SPACER 8MM		1				
171	211281-3	培林 6203LLU		1				
172	213625-3	O 形環 9		1				
173	123307-8	STOP BOLT CPL.		1				
D10		INC. 172						
174	266688-8	六角螺栓 M8		2				
175	234216-7	壓縮彈簧 8		3				
176	266689-6	螺栓 M6		3				
177	222185-4	BELT PULLEY		1				
178	266976-3	HEX. BOLT M8X25		1				
180	346457-4	固定板		1				
181	264112-5	SQUARE NUT M6		1				
182	234215-9	壓縮彈簧 6		1				
183	455831-6	BELT COVER		1				
184	266691-9	張力螺絲 M6		1				
185	252145-2	六角軸環		2				
186	123369-6	PARTS FOR WATER ATTCHMENT KIT		1				

請訂購一個零件。

列印日期 2017/11/17

型號 EK8100 POWER CUTTER

分解圖號	零件編號	品名	交換	數量	N/O	選擇1	選擇2	註記
187	264109-4	CAPPING NUT		1				
188	266949-6	HOLLOW SCREW BORED		1				
189	266949-6	HOLLOW SCREW BORED		1				
190	264109-4	CAPPING NUT		1				
191	266950-1	H.L.SOCKET HEAD BOLT M6X14		1				
193	319294-9	FOOT		1				
194	266605-8	螺栓 M5X16		4				
195	266974-7	H.L. TAPPING SCREW 5 12		1				
A01	197200-2	TOOL KIT		1				
C10	782025-3	扭力扳手		1				
C20	782028-7	UNIVERSAL WRENCH 13-19		1				
C30	783012-5	螺絲起子		1				
C40	831340-3	工具袋		1				
A02	123121-2	耦合套筒		1				
E01	809P12-4	CLEAR LABEL		1				

請訂購一個零件。

列印日期 2017/11/17