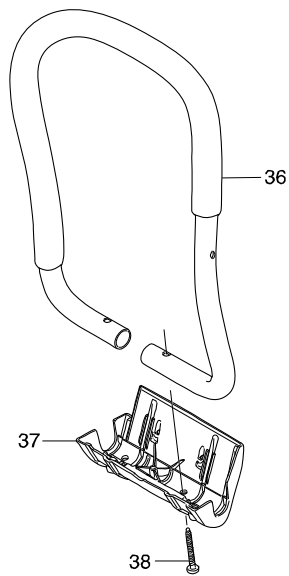
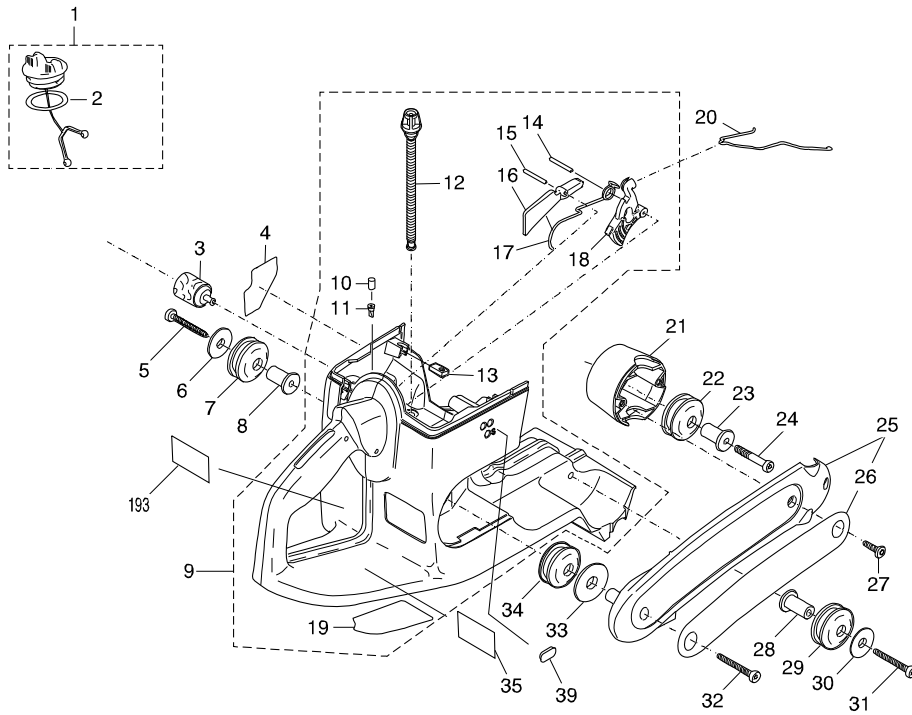
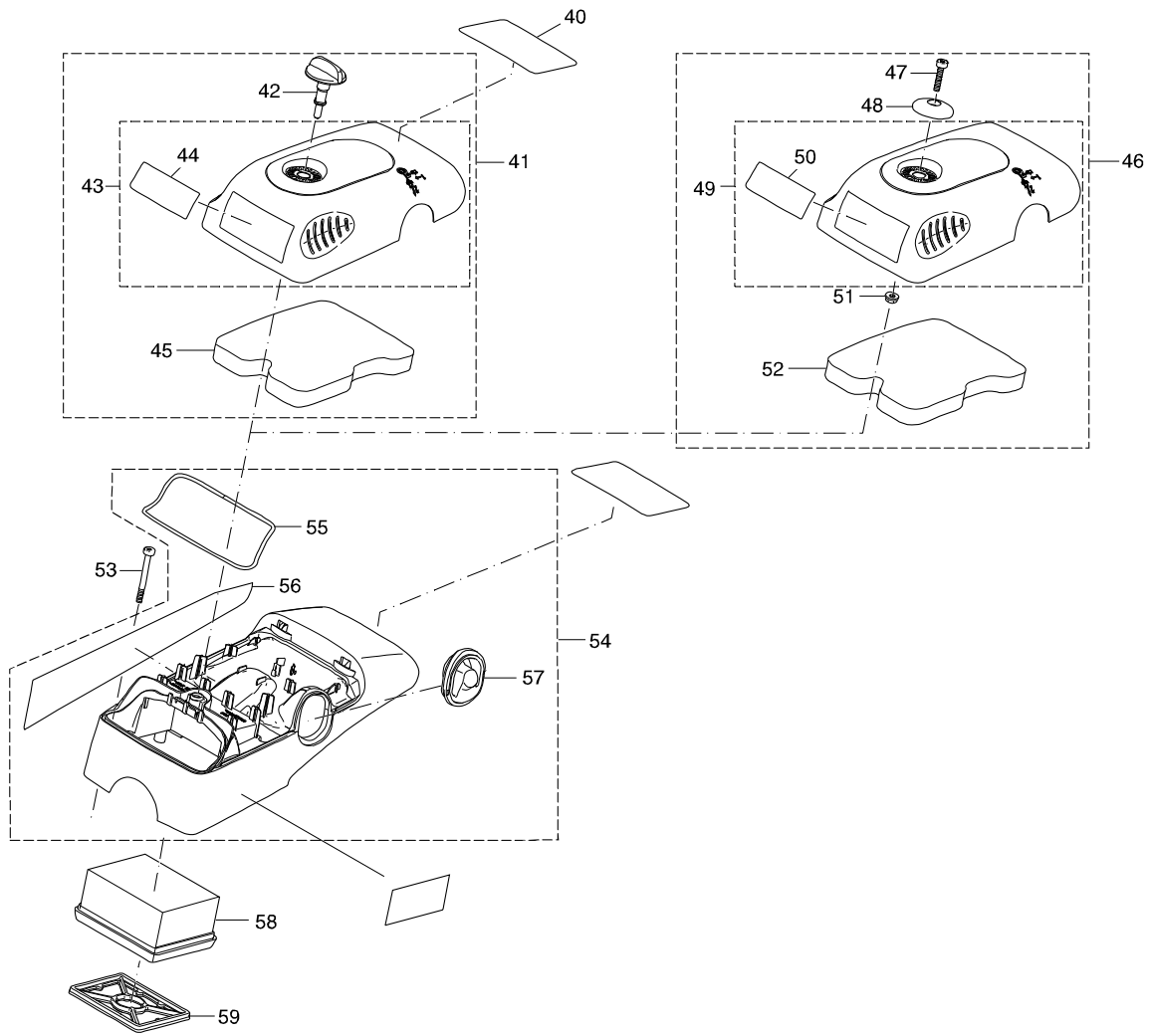


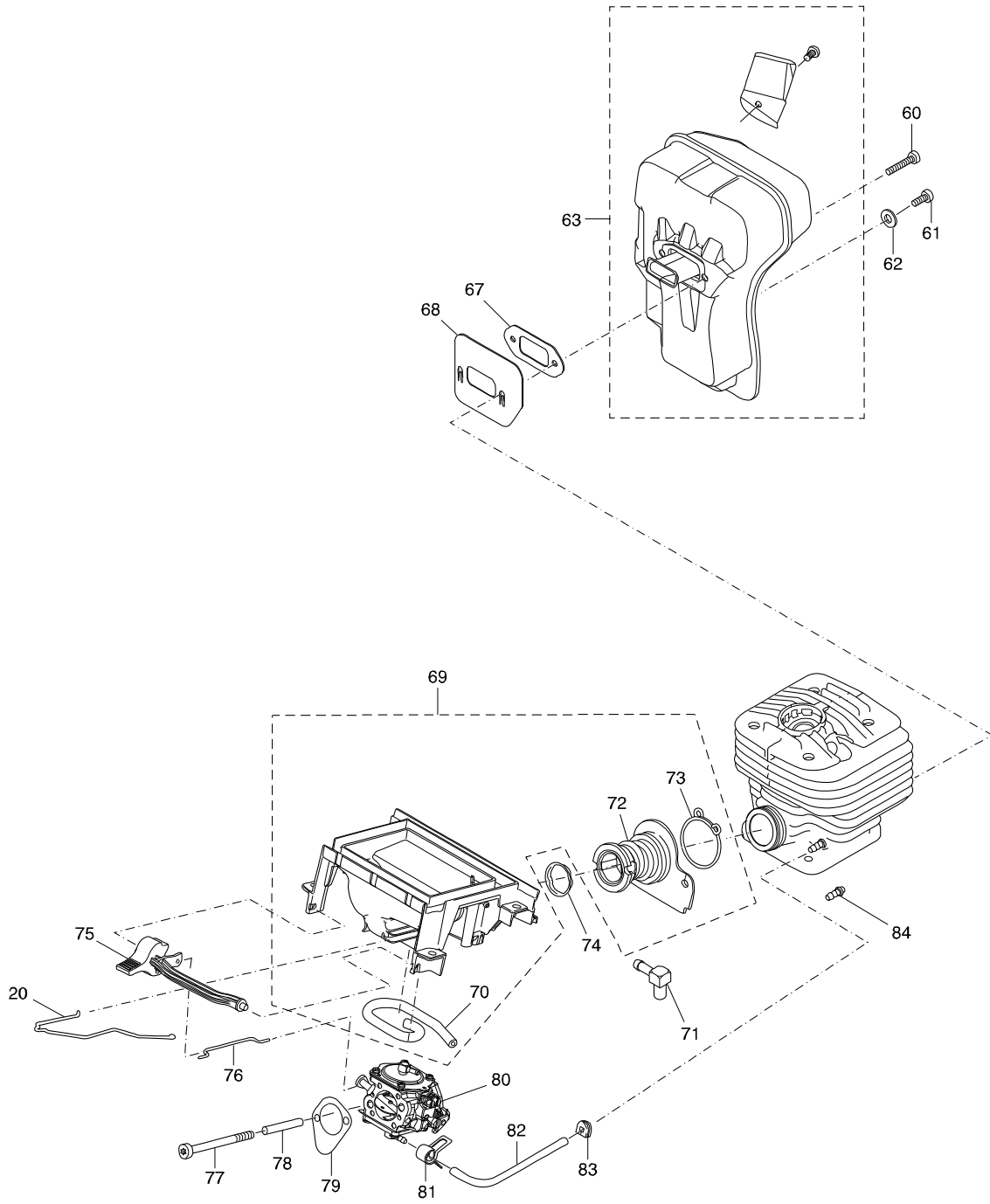
型號 EK7301 POWER CUTTER



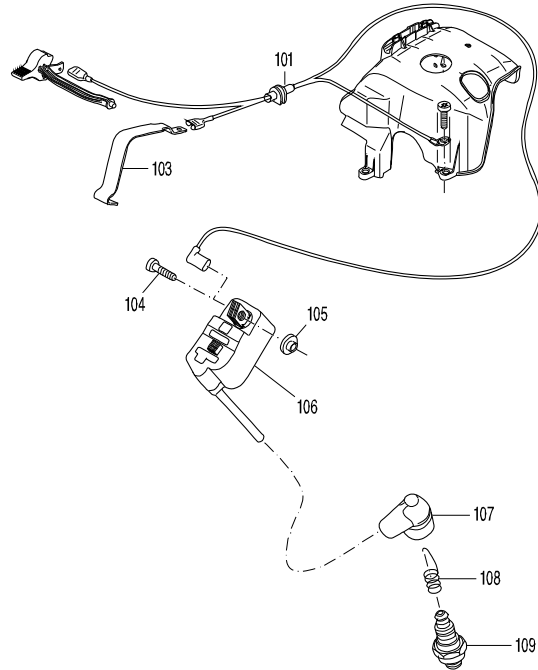
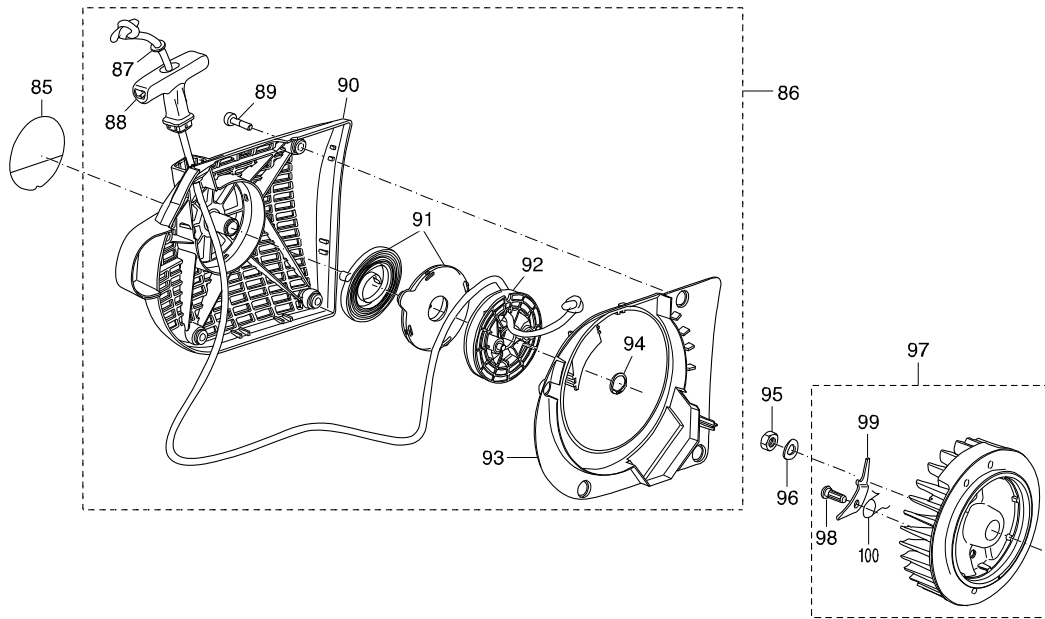
型號 EK7301 POWER CUTTER



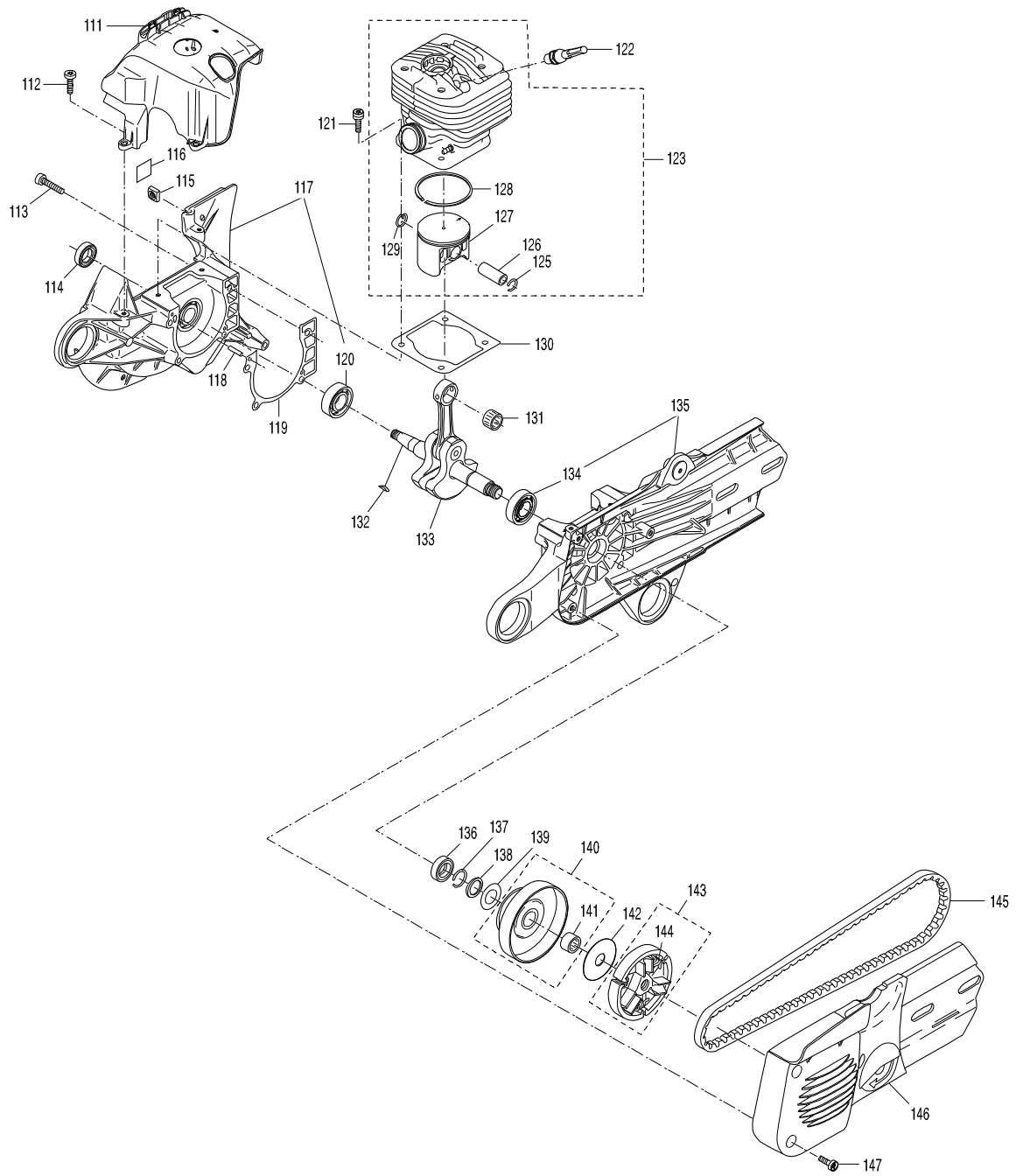
型號 EK7301 POWER CUTTER



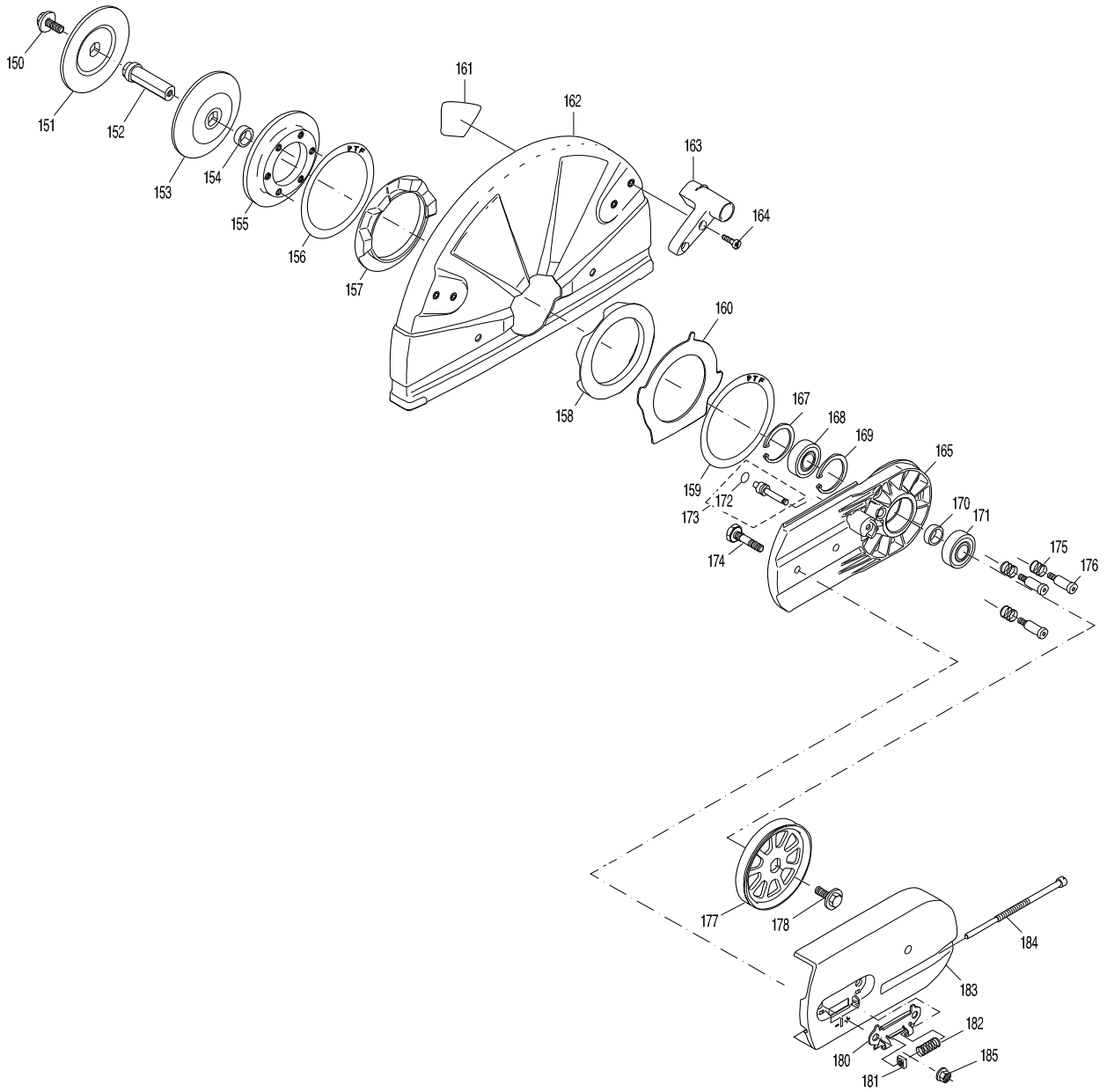
型號 EK7301 POWER CUTTER



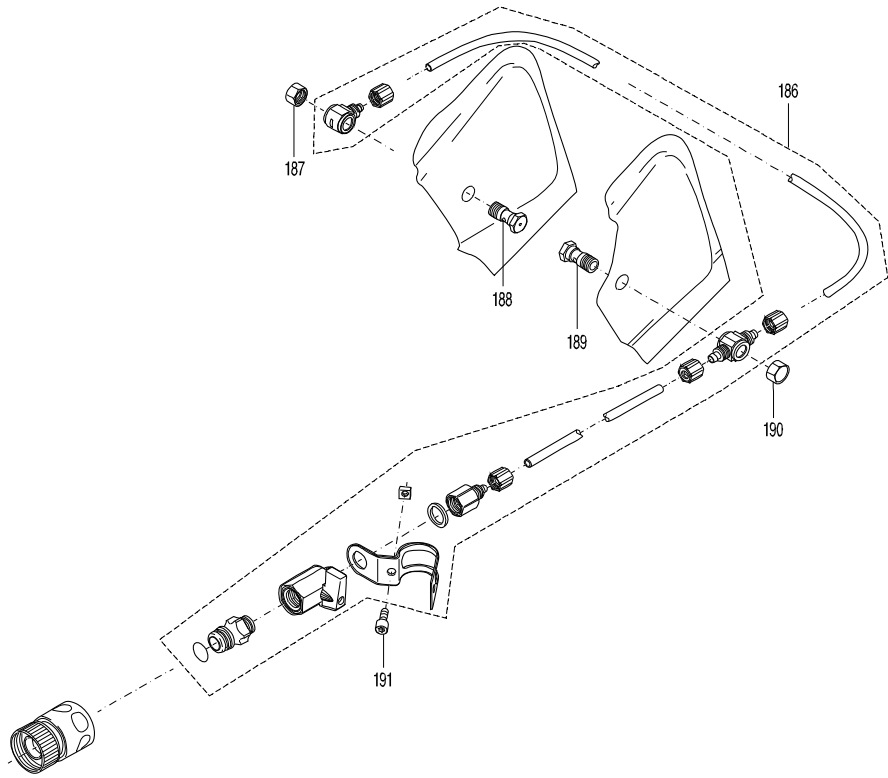
型號 EK7301 POWER CUTTER



型號 EK7301 POWER CUTTER



型號 EK7301 POWER CUTTER



型號 EK7301 POWER CUTTER

分解圖號	零件編號	品名	交換	數量	N/O	選擇1	選擇2	註記
001	168507-3	油箱蓋		1				
D10		INC. 2						
002	213080-9	O 形環 29.5		1				
003	163499-1	SUCTION HEAD		1				
005	266687-0	螺絲 5.5X45		1				
006	346870-6	WASHER 5.8X26X2		1				
007	424695-9	VIBRATION DAMPER		1				
008	319268-0	AXLE FOR VIBRATION DAMPER		1				
009	123321-4	FUEL TANK CPL. BLUE		1				
D10		INC. 10-19						
010	422063-0	SINTER INSERT		1				
011	424170-5	VALVE		1				
012	424723-0	FUEL LINE		1				
013	252897-5	SCREW PLUG		4				
014	268335-7	PIN 3		1				
015	268233-5	PIN 3		1				
016	455821-9	SAFETY LEVER		1				
017	233626-5	SPRING		1				
018	455820-1	THROTTLE LEVER		1				
019	806J47-0	INDICATION LABEL		1				
020	326497-8	THROTTLE LINKAGE		1				
021	455806-5	RETAINER FOR DAMPER BLACK		1				
022	424695-9	VIBRATION DAMPER		1				
023	319268-0	AXLE FOR VIBRATION DAMPER		1				
024	266943-8	H.L. SOCKET HEAD BOLT M5X40		1				
025	143211-5	SIDE SUPPORT MAKITA		1				
D10		INC. 26						
026	806J44-6	MAKITA LOGO LABEL		1				
027	266475-5	螺絲 TORX 5.5X20		2				
028	319268-0	AXLE FOR VIBRATION DAMPER		1				
029	424695-9	VIBRATION DAMPER		1				
030	346870-6	WASHER 5.8X26X2		1				
031	266687-0	螺絲 5.5X45		1				
032	266687-0	螺絲 5.5X45		1				
033	346871-4	WASHER		1				
034	424695-9	VIBRATION DAMPER		1				
035	851C80-5	EK7301 NAME PLATE		1				
036	143097-7	WRAP AROUND HANDLE CPL		1				
037	319270-3	FOOT MACHINED		1				
038	266687-0	螺絲 5.5X45		2				
039	424709-4	ADJUST GUIDE		1				
041	123309-4	COVER CPL. BLACK PRE-FILTER		1				
D10		INC. 42-45						
042	266692-7	指捻螺絲 M6X15		1				
043	123312-5	FILTER COVER COMPLETE		1				
D10		INC. 44						
044	806J48-8	CAUTION LABEL		1	*			
044-1	807L79-2	CAUTION LABEL	O	1				

請訂購一個零件。

列印日期 2017/11/17

型號 EK7301 POWER CUTTER

分解圖號	零件編號	品名	交換	數量	N/O	選擇1	選擇2	註記
045	424700-2	PRE-FILTER		1				
053	266941-2	H.L. SOCKET HEAD BOLT M5X50		4				
054	123308-6	HOOD CPL. BLACK		1				
D10		INC. 55-57						
055	424697-5	PACKING RING		1				
056	806J50-1	CAUTION LABEL		1				
057	424703-6	DEKO COVER		1				
058	424701-0	AIR FILTER		1				
059	424705-2	INNER FILTER		1				
060	266960-8	H.L. SOCKET HEAD BOLT M5X20		2				
061	266946-2	H.L. SOCKET HEAD BOLT M5X12		1				
062	267821-5	SPRING WASHER 5		1				
063	161338-9	MUFFLER CPL.		1				
067	346876-4	MUFFLER GASKET		1				
068	346868-3	COOLING PLATE		1				
069	123310-9	INTAKE MANIFOLD CPL.		1				
D10		INC. 70,72,73						
070	424699-1	TUBE BLACK RED		1				
071	161311-9	ANGULAR NIPPLE		1				
072	424708-6	INTAKE HOSE		1				
073	233625-7	SPRING CLAMP		1				
074	346867-5	GUIDE RING		1				
075	455808-1	CHOKE SHAFT		1				
076	326496-0	CHOKE LINKAGE		1				
077	266944-6	H.L. SOCKET HEAD BOLT M4X55		2				
078	424710-9	INSULATION TUBE		2				
079	346874-8	GASKET		1				
080	161312-7	CARBURETOR		1				
081	324616-0	軟管夾		1				
082	424698-3	TUBE 3-120		1				
083	424696-7	RUBBER GROMMET		1				
084	326499-4	NIPPLE		1				
085	806K78-5	MAKITA LOGO LABEL		1				
086	123357-3	STARTING DEVICE CPL. BLUE		1				
D10		INC. 87-94						
087	267862-1	SPRING WASHER 5		1				
088	452458-3	STARTER GRIP		1				
089	266938-1	H.L. SOCKET HEAD BOLT M5X20		4				
090	123315-9	STARTER HOUSING BLUE		1				
091	140587-1	REWIND SPRING COMPLETE		1				
092	143098-5	CABLE DRUM COMPLETE		1				
093	455805-7	AIR GUIDE PLATE		1				
094	257997-6	RETAINING RING A14X1V		1				
095	264107-8	HEXAGONAL NUT M8		1				
096	267822-3	彈簧墊片 8		1				
097	123306-0	FLYWHEEL D=120 CPL		1				
D10		INC. 98-100						
098	326500-5	BEARING BOLT		2				

請訂購一個零件。

列印日期 2017/11/17

型號 EK7301 POWER CUTTER

分解圖號	零件編號	品名	交換	數量	N/O	選擇1	選擇2	註記
099	346865-9	STARTER-RATCHET		2				
100	233535-8	TORSION SPRING 13		2				
101	632E41-4	CABLE WITH PLUG		1				
103	346869-1	CONTACT SPRING		1				
104	266942-0	H.L. SOCKET HEAD BOLT M5X20		2				
105	451462-9	ISOLATING WASHER		2				
106	161310-1	IGNITION COIL CDIM 120-15		1				
107	424706-0	PLUG CAP		1				
108	234358-7	TERMINAL SPRING		1				
109	168517-0	SPARK PLUG		1				
111	455819-6	HOOD		1				
112	266940-4	H.L. SOCKET HEAD BOLT M5X15		3				
113	266945-4	H.L. SOCKET HEAD BOLT M5X30		5				
114	213814-0	RADIAL RING		1				
115	264108-6	SQUARE NUT M5		1				
116	424707-8	RUBBER SHEET		1				
117	143226-2	CRANKCASE MS CPL.		1				
D10		INC. 120						
118	258038-1	CLAMPING PIN		2				
119	346877-2	CRANK CASE GASKET		1				
120	211154-0	BALL BEARING 6202		1				
121	266473-9	TORX SOCKET HEAD BOLT M5X23		4				
122	455804-9	DECOMPRESSION VALVE		1				
123	161319-3	CYLINDER PISTON SET		1	*			
D10		INC. 125-129			*			
123-1	183H02-0	CYLINDER PISTON SET	<	1				
D10		INC. 125-129						
125	234360-0	CIRCLIP 12		1	*			
125-1	234359-5	CIRCLIP 12	<	1				
126	257840-9	PISTON PIN		1				
127	319281-8	PISTON D50 SLR		1	*			
127-1	198663-5	PISTON SET	X	1				
D10		INC. 125,126,128,129						
128	257377-6	PISTON RING		1				
129	234359-5	CIRCLIP 12		1				
130	346873-0	GASKET		1				
131	212133-1	PISTON PIN BEARING 12X16X13		1				
132	254042-8	WOODRUFF-KEY 3X3		1				
133	143107-0	CRANKSHAFT CPL.		1				
134	211154-0	BALL BEARING 6202		1				
135	143225-4	CRANKCASE CS CPL		1				
D10		INC. 134						
136	213814-0	RADIAL RING		1				
137	234366-8	SNAP RING A 16		1				
138	346872-2	STOP RING		1				
139	346866-7	GUIDE DISK		1				
140	161317-7	CLUTCH DRUM CPL.		1				
D10		INC. 141						

請訂購一個零件。

列印日期 2017/11/17

型號 EK7301 POWER CUTTER

分解圖號	零件編號	品名	交換	數量	N/O	選擇1	選擇2	註記
141	212134-9	NEEDLE ROLLER BEARING 15X21X16		1				
142	267389-1	FLAT WASHER 12		1				
143	123305-2	CLUTCH CPL		1				
D10		INC. 144						
144	231892-8	TENSION SPRING		3	*			
144-1	231896-0	TENSION SPRING	O	3	*			
144-2	232352-3	TENSION SPRING	O	3				
145	424712-5	V-BELT		1				
146	455832-4	CLUTCH COVER		1				
147	266947-0	H.L. SOCKET HEAD BOLT M5X14		3				
150	266976-3	HEX. BOLT M8X25		1				
151	224443-4	凸輪 102		1				
152	326503-9	AXLE		1				
153	224443-4	凸輪 102		1				
154	257375-0	SPACER 8MM		1				
155	318746-7	壓環		1				
156	442169-8	滑動盤		1				
157	424426-6	橡膠環 (內側)		1				
158	424427-4	橡膠環 (外側)		1				
159	442169-8	滑動盤		1				
160	346455-8	衝擊板		1				
161	806J84-4	CAUTION LABEL		1				
162	143796-1	HOOD COMPLETE		1				
D10		INC. 161						
163	452938-9	手柄		1				
164	266725-8	螺栓 M5X16		2				
165	319286-8	CUTTING DEVICE 14 MACHINED		1				
167	257998-4	RETAINING RING 40X1		1				
168	211281-3	培林 6203LLU		1				
169	257998-4	RETAINING RING 40X1		1				
170	257375-0	SPACER 8MM		1				
171	211281-3	培林 6203LLU		1				
172	213625-3	O 形環 9		1				
173	123307-8	STOP BOLT CPL.		1				
D10		INC. 172						
174	266688-8	六角螺栓 M8		2				
175	234216-7	壓縮彈簧 8		3				
176	266689-6	螺栓 M6		3				
177	222180-4	PULLEY COMPLETE		1				
178	266976-3	HEX. BOLT M8X25		1				
180	346457-4	固定板		1				
181	264112-5	SQUARE NUT M6		1				
182	234215-9	壓縮彈簧 6		1				
183	455956-6	BELT COVER		1				
184	266691-9	張力螺絲 M6		1				
185	252145-2	六角軸環		2				
186	123369-6	PARTS FOR WATER ATTCHMENT KIT		1				
187	264109-4	CAPPING NUT		1				

請訂購一個零件。

列印日期 2017/11/17

