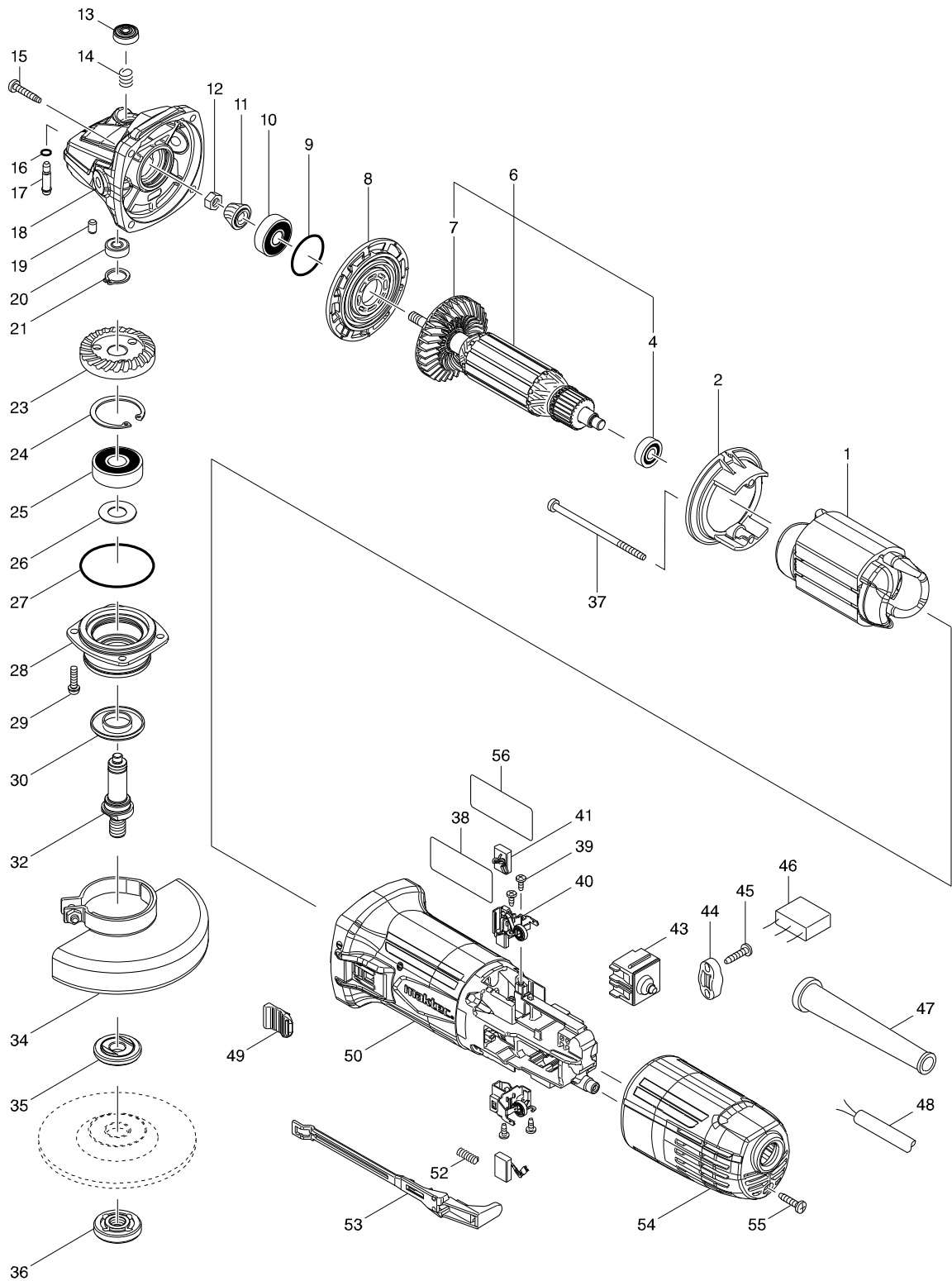


型號 MT967 100MM ANGLE GRINDER



型號 MT967 100MM ANGLE GRINDER

| 分解圖號 | 零件編號 | 品名 | 交換 | 數量 | N/O | 選擇1 | 選擇2 | 註記 |
|------|----------|-------------------------|----|----|-----|-----|-----|----|
| 001 | 621811-6 | FIELD 115V | | 1 | | | | |
| 002 | 457137-8 | BAFFLE PLATE | | 1 | | | | |
| 004 | 210169-4 | BALL BEARING 607LLB | | 1 | | | | |
| 006 | 513946-6 | ARMATURE ASS'Y 115V | | 1 | | | | |
| D10 | | INC. 4,7 | | | | | | |
| 007 | 240076-7 | 風葉 56 | | 1 | | | | |
| 008 | 457122-1 | BEARING RETAINER | | 1 | | | | |
| 009 | 213407-3 | 環26 | | 1 | | | | |
| 010 | 210084-2 | 滾珠軸承 629ZZ | | 1 | | | | |
| 011 | 221475-2 | SPIRAL BEVEL GEAR 10 | | 1 | | | | |
| 012 | 252186-8 | 六角螺母 M6 | | 1 | | | | |
| 013 | 419589-1 | 固定蓋 F/MT960 | | 1 | | | | |
| 014 | 233376-2 | 彈簧8 F/MT958,954 | | 1 | | | | |
| 015 | 266324-6 | 螺絲 4X22 | | 4 | | | | |
| 016 | 213960-9 | ○圈5 F/9553B | | 1 | | | | |
| 017 | 268228-8 | 銷5 F/MT960 | | 1 | | | | |
| 018 | 319487-8 | GEAR HOUSING | | 1 | | | | |
| 019 | 263002-9 | 橡皮銷 4 | | 1 | | | | |
| 020 | 210033-9 | 軸承 696ZZ | | 1 | | | | |
| 021 | 961052-5 | 擋圈 S-12 | | 1 | | | | |
| 023 | 221476-0 | SPIRAL BEVEL GEAR 37 | | 1 | | | | |
| 024 | 257978-0 | 擋圈 R-32 | | 1 | | | | |
| 025 | 211345-3 | 軸承 6201DDW | | 1 | | | | |
| 026 | 267238-2 | 平面墊圈12 F/MT958,954 | | 1 | | | | |
| 027 | 213622-9 | ○圈45 F/9553B | | 1 | | | | |
| 028 | 123848-4 | BEARING BOX ASSEMBLY | | 1 | | | | |
| D10 | | INC. 27 | | | | | | |
| 029 | 265100-5 | 螺絲M4X16 F/MT950,954 | | 4 | | | | |
| 030 | 345464-4 | 內圈 | | 1 | | | | |
| 032 | 326828-1 | SPINDLE | | 1 | | | | |
| 033 | 265180-1 | 螺絲 M5X16 | | 1 | | | | |
| 034 | 123860-4 | WHEEL COVER 100TK ASS'Y | | 1 | | | | |
| C10 | 213009-5 | ○圈 4 | | 1 | | | | |
| C20 | 810R28-6 | CAUTION LABEL | | 1 | | | | |
| D10 | | INC. 33 | | | | | | |
| 035 | 224491-3 | INNER FLANGE 29 | | 1 | | | | |
| 036 | 224493-9 | LOCK NUT 10-29 | | 1 | | | | |
| 037 | 266345-8 | 螺絲4X80 F/MT960 | | 2 | | | | |
| 038 | 852S99-3 | MT967 NAME PLATE | | 1 | | | | |
| 039 | 266492-5 | 螺絲 3X8 | | 4 | | | | |
| 040 | 643717-8 | BRUSH HOLDER | | 2 | | | | |
| 041 | 194074-2 | 碳刷CB-325 F/9553B | | 1 | | | | |
| 043 | 651947-7 | 开关1247.0302 | | 1 | | | | |
| 044 | 687140-7 | 電線固定片 | | 1 | | | | |
| 045 | 266326-2 | 螺絲 M4X18 | | 2 | | | | |
| 046 | 645089-7 | 防磁波器 | | 1 | | | | |
| 047 | 682504-0 | 電線保護管 10-85 | | 1 | | | | |
| 048 | 693504-5 | 電線 1.25-2-2.0 | | 1 | | | | |

請訂購一個零件。

列印日期 2017/10/30

