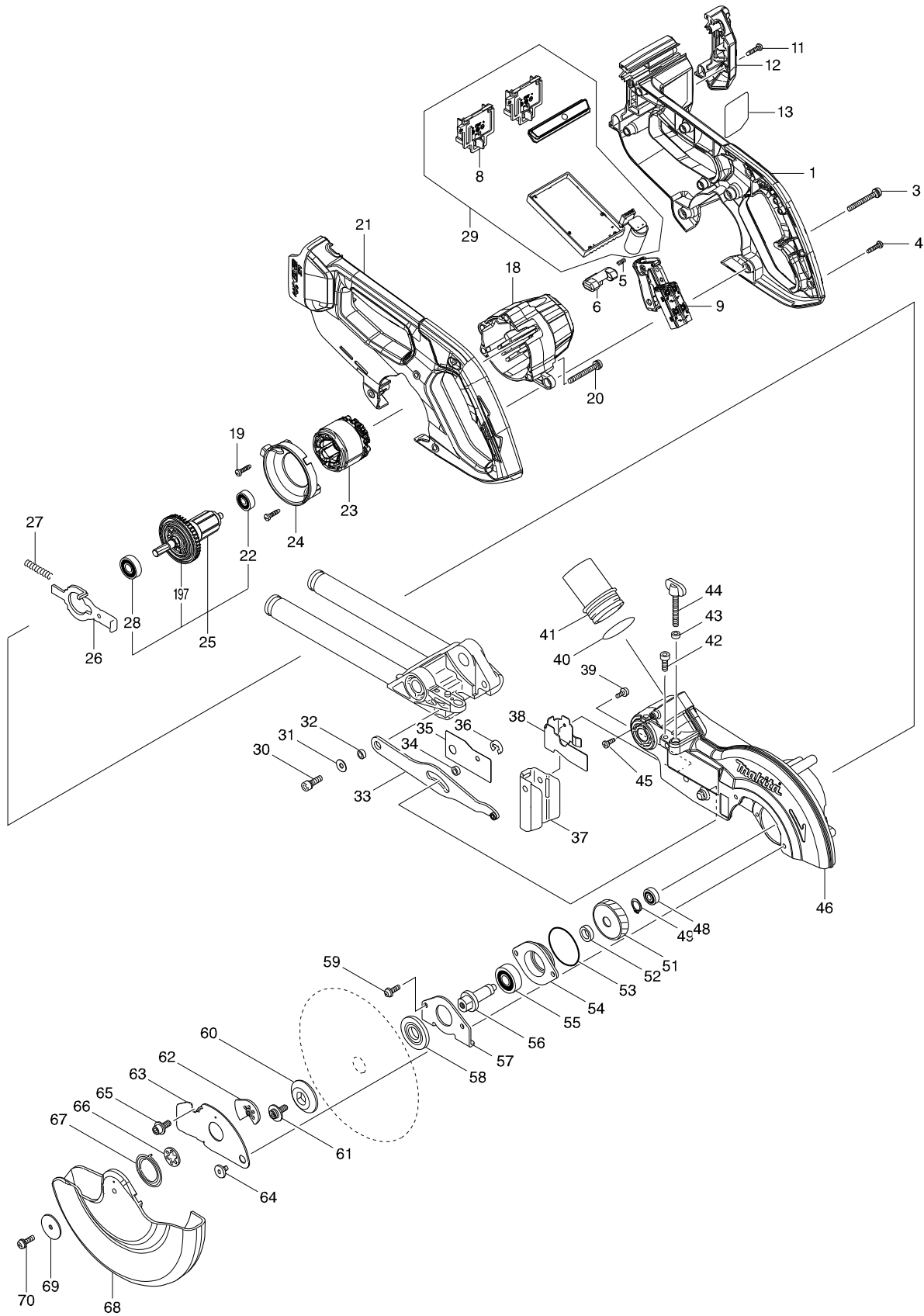
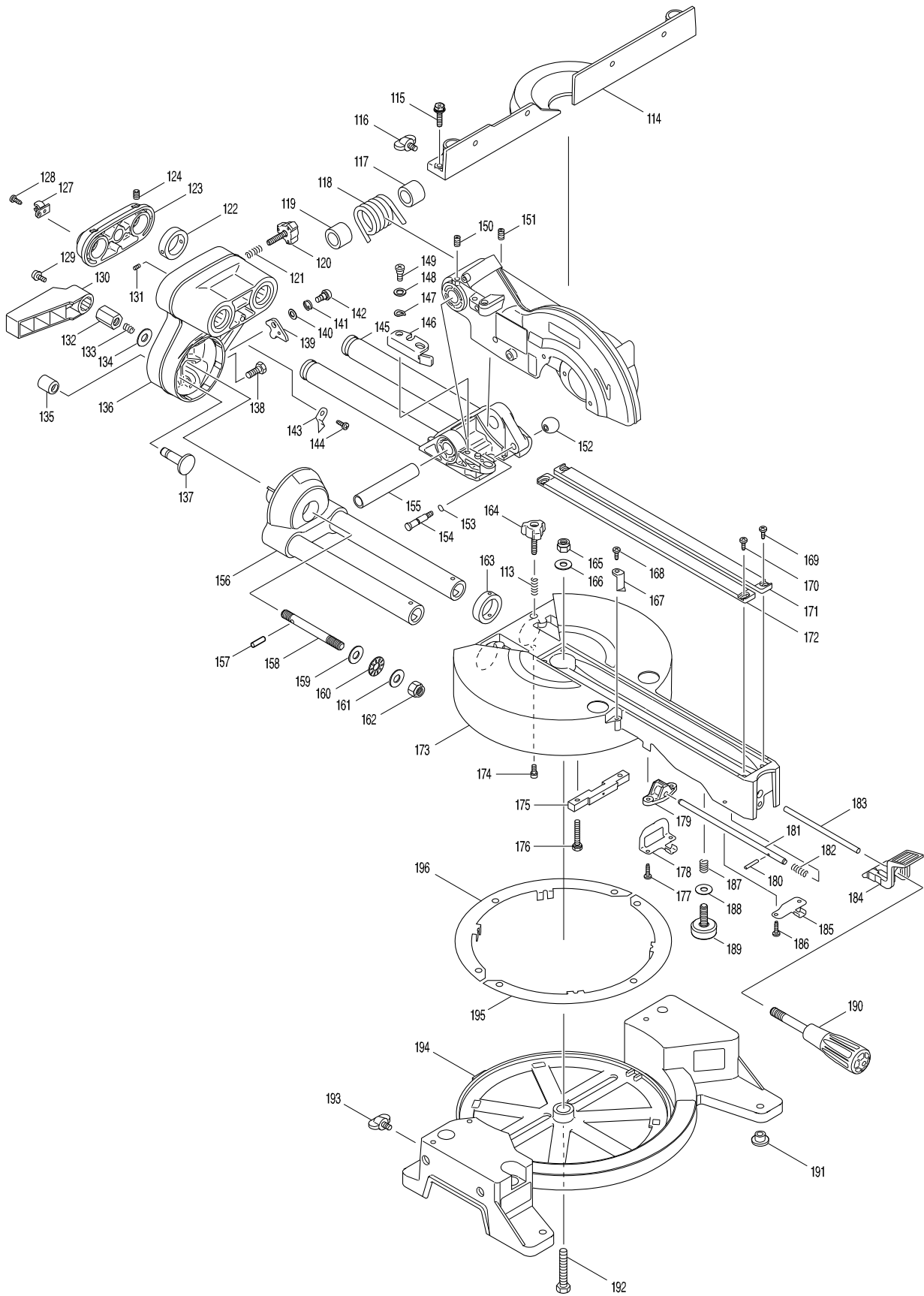


型號 DLS714 充電式切斷機-單機 18Vx2



型號 DLS714 充電式切斷機-單機 18Vx2



型號 DLS714 充電式切斷機-單機 18Vx2

| 分解圖號 | 零件編號 | 品名 | 交換 | 數量 | N/O | 選擇1 | 選擇2 | 註記 |
|------|----------|-----------------------------|----|----|-----|-----|-----|----|
| 001 | 183B55-3 | 把手組 | | 1 | | | | |
| D10 | | INC. 21 | | | | | | |
| 003 | 911268-2 | 螺絲 M5X45 | | 3 | | | | |
| 004 | 265995-6 | 攻牙螺絲 4X18 | | 6 | | | | |
| 005 | 231397-8 | 彈簧 4 | | 1 | | | | |
| 006 | 456024-8 | 閉鎖按鈕 | | 1 | | | | |
| 008 | 644808-8 | 電池端子 | | 2 | | | | |
| 009 | 650756-1 | SWITCH | | 1 | | | | |
| 011 | 265995-6 | 攻牙螺絲 4X18 | | 3 | | | | |
| 012 | 143268-6 | 把手蓋 | | 1 | | | | |
| C10 | 263005-3 | 橡皮銷 6 | | 1 | | | | |
| 013 | 851E60-3 | DLS714 NAME PLATE | | 1 | | | | |
| 018 | 456022-2 | 馬達殼體 | | 1 | | | | |
| 019 | 265995-6 | 攻牙螺絲 4X18 | | 2 | | | | |
| 020 | 911268-2 | 螺絲 M5X45 | | 3 | | | | |
| 021 | 183B55-3 | 把手組 | | 1 | | | | |
| D10 | | INC. 1 | | | | | | |
| 022 | 210017-7 | 培林 607DDW | | 1 | | | | |
| 023 | 629157-4 | 定子 | | 1 | | | | |
| 024 | 456023-0 | 擋板 | | 1 | | | | |
| 025 | 519373-5 | 轉子組件 | | 1 | | | | |
| D10 | | INC. 22,28,197 | | | | | | |
| 026 | 344681-3 | 軸心擋片 | | 1 | | | | |
| 027 | 233092-6 | 扭力彈簧5 | | 1 | | | | |
| 028 | 211092-6 | 培林 629DDW | | 1 | | | | |
| 029 | 143291-1 | CONTROLLER COMPLETE | | 1 | | | | |
| D10 | | INC. 8 | | | | | | |
| 030 | 922331-6 | H.S.H.螺絲 M6X20 | | 1 | | | | |
| 031 | 253804-1 | 平墊片 6 | | 1 | | | | |
| 032 | 257163-5 | 環6 F/LS1011 | | 1 | | | | |
| 033 | 154643-1 | LINK PLATE COMPLETE | | 1 | | | | |
| 034 | 257163-5 | 環6 F/LS1011 | | 1 | | | | |
| 035 | 346330-8 | LINK COVER | | 1 | | | | |
| 036 | 961018-5 | 停止圈 E-5 | | 1 | | | | |
| 037 | 424045-8 | GUARD | | 1 | | | | |
| 038 | 345438-5 | 防護板 F/LS0814FL | | 1 | | | | |
| 039 | 911113-1 | 盤頭螺絲 M4X10 | | 1 | | | | |
| 040 | 213460-9 | O圈 35 | | 1 | | | | |
| 041 | 419277-0 | 集塵接口 F/LS1013L,1214L | | 1 | | | | |
| 042 | 266757-5 | HEX. SOCKET HEAD BOLT M6X16 | | 1 | | | | |
| 043 | 262001-8 | 環5 | | 1 | | | | |
| 044 | 265717-4 | 螺絲 M6X43 | | 1 | | | | |
| 045 | 266026-4 | 自攻螺絲 CT 4X12 | | 1 | | | | |
| 046 | 143555-3 | BLADE CASE COMPLETE | | 1 | | | | |
| C10 | 263002-9 | 橡皮銷 4 | | 1 | | | | |
| C20 | 263005-3 | 橡皮銷 6 | | 1 | | | | |
| C30 | 807V75-0 | CAUTION LABEL | | 1 | | | | |
| C40 | 810968-0 | 警告標 | | 1 | | | | |

請訂購一個零件。

列印日期 2017/10/11

型號 DLS714 充電式切斷機-單機 18Vx2

| 分解圖號 | 零件編號 | 品名 | 交換 | 數量 | N/O | 選擇1 | 選擇2 | 註記 |
|------|----------|-----------------------------|----|----|-----|-----|-----|----|
| 048 | 210017-7 | 培林 607DDW | | 1 | | | | |
| 049 | 961052-5 | 擋圈 S-12 | | 1 | | | | |
| 051 | 227810-2 | 斜齒輪 53 | | 1 | | | | |
| 052 | 257088-3 | 環 12 | | 1 | | | | |
| 053 | 213623-7 | ○圈46 F/LF1000 | | 1 | | | | |
| 054 | 317193-9 | 軸承箱 F/LS0811 | | 1 | | | | |
| 055 | 211129-9 | 軸承 6201DDW | | 1 | | | | |
| 056 | 323798-5 | 主軸 | | 1 | | | | |
| 057 | 285694-4 | 軸承保持板 F/LS0811 | | 1 | | | | |
| 058 | 224370-5 | 內法蘭士40 F/4131 | | 1 | | | | |
| 059 | 911223-4 | 螺絲 M5X16 | | 2 | | | | |
| 060 | 224275-9 | 外法蘭士 40 F/5008B | | 1 | | | | |
| 061 | 266733-9 | HEX. S.F.H. BOLT M6X16 | | 1 | | | | |
| 062 | 345585-2 | 中圈板 F/LS0814FL | | 1 | | | | |
| 063 | 346232-8 | CENTER COVER | | 1 | | | | |
| 064 | 265985-9 | 螺母M6 | | 1 | | | | |
| 065 | 266732-1 | HEX. SOCKET HEAD BOLT M6X16 | | 1 | | | | |
| 066 | 345589-4 | 中圈華士 F/LS0814FL | | 1 | | | | |
| 067 | 231934-8 | 拉緊彈簧 24 | | 1 | | | | |
| 068 | 419123-7 | SAFETY COVER | | 1 | | | | |
| 069 | 267136-0 | 華士5 | | 1 | | | | |
| 070 | 265491-4 | H.S. BUTTON HEAD BOLT M5X16 | | 1 | | | | |
| 113 | 231325-3 | 彈簧 F/LS0811 | | 1 | | | | |
| 114 | 318655-0 | GUIDE FENCE | | 1 | | | | |
| 115 | 922344-7 | H.S.H.BOLT M6X25 WITH WG | | 3 | | | | |
| 116 | 251887-5 | 螺絲M6X10 | | 1 | | | | |
| 117 | 416535-5 | 筒子17 F/LC0700 | | 1 | | | | |
| 118 | 233520-1 | TORSION SPRING 28 | | 1 | | | | |
| 119 | 416535-5 | 筒子17 F/LC0700 | | 1 | | | | |
| 120 | 265790-4 | THUMB SCREW M6X28 | | 1 | | | | |
| 121 | 231325-3 | 彈簧 F/LS0811 | | 1 | | | | |
| 122 | 257214-4 | 圈26 F/LS0814FL | | 1 | | | | |
| 123 | 318651-8 | PIPE HOLDER | | 1 | | | | |
| 124 | 266208-8 | 螺絲 M6X8 | | 2 | | | | |
| 127 | 687045-1 | 固定片 | | 1 | | | | |
| 128 | 266026-4 | 自攻螺絲 CT 4X12 | | 1 | | | | |
| 129 | 911113-1 | 盤頭螺絲 M4X10 | | 1 | | | | |
| 130 | 416006-2 | 固定桿100 F/LS,LC | | 1 | | | | |
| 131 | 913106-4 | 固定螺絲 M4X8 | | 1 | | | | |
| 132 | 252144-4 | 螺母M10-17 | | 1 | | | | |
| 133 | 231266-3 | 彈簧5 | | 1 | | | | |
| 134 | 253024-7 | 平面墊片10 | | 1 | | | | |
| 135 | 286236-7 | 帽 16 F/LS1211,LC1230 | | 1 | | | | |
| 136 | 140609-7 | ARM COMPLETE | | 1 | | | | |
| C10 | 211376-2 | 培林2560 F/LS0814FL | | 2 | | | | |
| C20 | 262077-5 | 毛氈圈25 F/LS0814FL | | 4 | | | | |
| C30 | 263005-3 | 橡皮銷 6 | | 2 | | | | |
| C40 | 344638-4 | 蓋35 F/LS0814FL | | 2 | | | | |

請訂購一個零件。

列印日期 2017/10/11

型號 DLS714 充電式切斷機-單機 18Vx2

| 分解圖號 | 零件編號 | 品名 | 交換 | 數量 | N/O | 選擇1 | 選擇2 | 註記 |
|------|----------|-----------------------------|----|----|-----|-----|-----|----|
| 137 | 324295-4 | RELEASE PIN | | 1 | | | | |
| 138 | 266757-5 | HEX. SOCKET HEAD BOLT M6X16 | | 2 | | | | |
| 139 | 345299-3 | STOPPER PLATE | | 1 | | | | |
| 140 | 253726-5 | F華士 6 | | 1 | | | | |
| 141 | 231663-3 | TORSION SPRING 8 | | 1 | | | | |
| 142 | 265113-6 | +PAN HEAD SCREW M5 | | 1 | | | | |
| 143 | 343678-9 | 指標板 F/LS1211 | | 1 | | | | |
| 144 | 266026-4 | 自攻螺絲 CT 4X12 | | 1 | | | | |
| 145 | 140608-9 | FRONT ARM COMPLETE | | 1 | | | | |
| 146 | 344643-1 | 制止器 F/LS0811 | | 1 | | | | |
| 147 | 253948-7 | 波形墊片8 | | 1 | | | | |
| 148 | 253835-0 | 平面墊片 8 | | 1 | | | | |
| 149 | 251267-5 | 螺絲M6 | | 1 | | | | |
| 150 | 251961-9 | 六角承窩固定螺絲(平端)M6X1 | | 1 | | | | |
| 151 | 251961-9 | 六角承窩固定螺絲(平端)M6X1 | | 1 | | | | |
| 152 | 271601-3 | 球型拉柄 20 F/M435 | | 1 | | | | |
| 153 | 213021-5 | O圈 5 | | 1 | | | | |
| 154 | 324183-5 | 止動銷 F/LS0811 | | 1 | | | | |
| 155 | 331350-5 | 鋼管1690 F/LS1011 | | 1 | | | | |
| 156 | 140610-2 | ARM HOLDER COMPLETE | | 1 | | | | |
| C10 | 816392-5 | BEVEL SCALE LABEL | | 1 | | | | |
| 157 | 256123-4 | 銷 5 | | 1 | | | | |
| 158 | 266320-4 | SCREW M10 | | 1 | | | | |
| 159 | 253024-7 | 平面墊片10 | | 1 | | | | |
| 160 | 216413-7 | 針型培林 F/LS0814FL | | 1 | | | | |
| 161 | 253024-7 | 平面墊片10 | | 1 | | | | |
| 162 | 252130-5 | 六角螺母M10-17 | | 1 | | | | |
| 163 | 257214-4 | 圈26 F/LS0814FL | | 1 | | | | |
| 164 | 265790-4 | THUMB SCREW M6X28 | | 1 | | | | |
| 165 | 252105-4 | 六角螺母 M8-13 | | 1 | | | | |
| 166 | 253731-2 | 平面墊片8 F/LC1230,0700 | | 1 | | | | |
| 167 | 416355-7 | 指針片 F/LS0811 | | 1 | | | | |
| 168 | 266026-4 | 自攻螺絲 CT 4X12 | | 1 | | | | |
| 169 | 266026-4 | 自攻螺絲 CT 4X12 | | 2 | | | | |
| 170 | 266026-4 | 自攻螺絲 CT 4X12 | | 2 | | | | |
| 171 | 419103-3 | 刀片 F/LS0814FL | | 1 | | | | |
| 172 | 419103-3 | 刀片 F/LS0814FL | | 1 | | | | |
| 173 | 140614-4 | TURN BASE COMPLETE | | 1 | | | | |
| C10 | 211376-2 | 培林2560 F/LS0814FL | | 2 | | | | |
| C20 | 262077-5 | 毛氈圈25 F/LS0814FL | | 4 | | | | |
| C30 | 263005-3 | 橡皮銷 6 | | 1 | | | | |
| C40 | 344638-4 | 蓋35 F/LS0814FL | | 2 | | | | |
| C50 | 810495-7 | 注意標籤 | | 1 | | | | |
| C60 | 817283-3 | 注意標 | | 2 | | | | |
| 174 | 922111-0 | 螺絲M4X10 | | 1 | | | | |
| 175 | 153580-6 | SQUARE ROD COMPLETE | | 1 | | | | |
| C10 | 263005-3 | 橡皮銷 6 | | 1 | | | | |
| 176 | 925251-3 | 螺絲M5X30 F/LS0814FL | | 2 | | | | |

請訂購一個零件。

列印日期 2017/10/11

