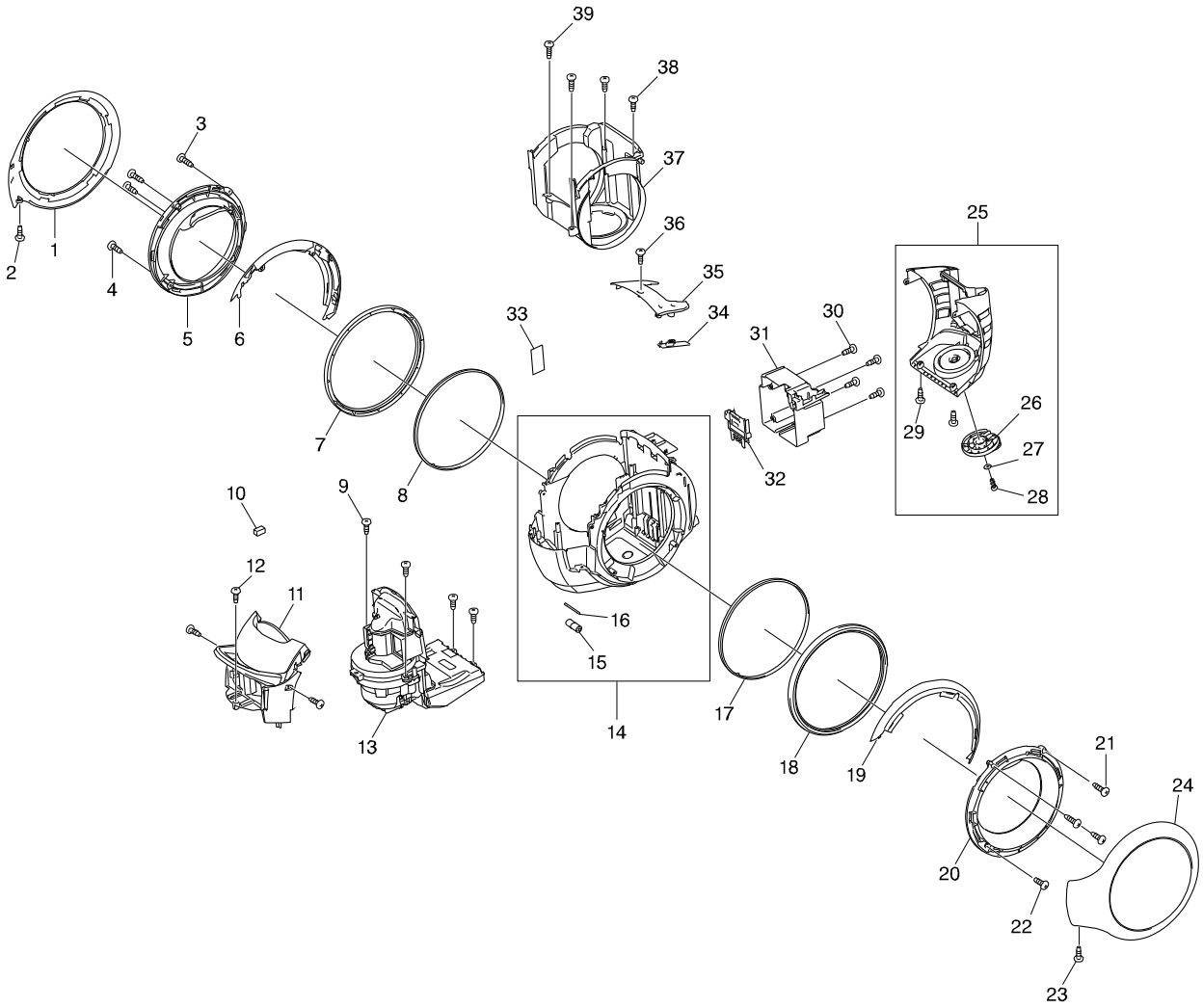
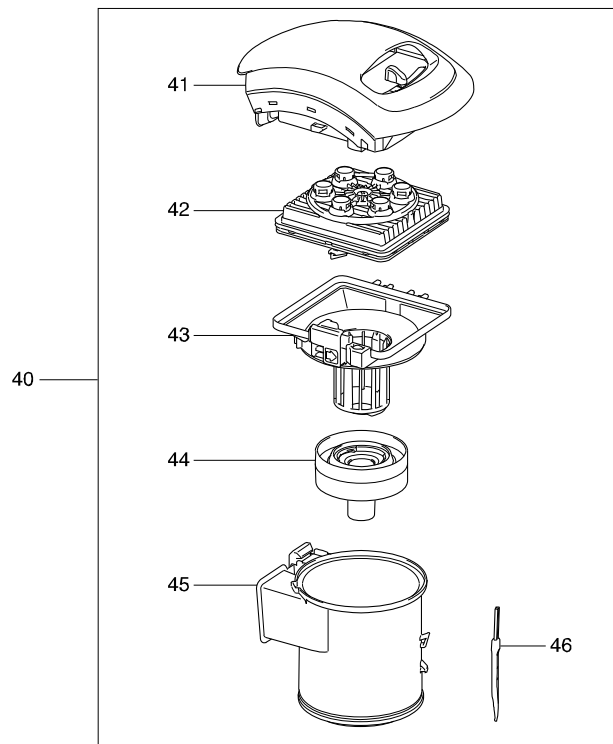


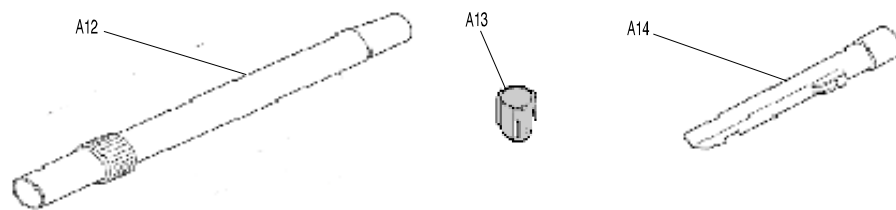
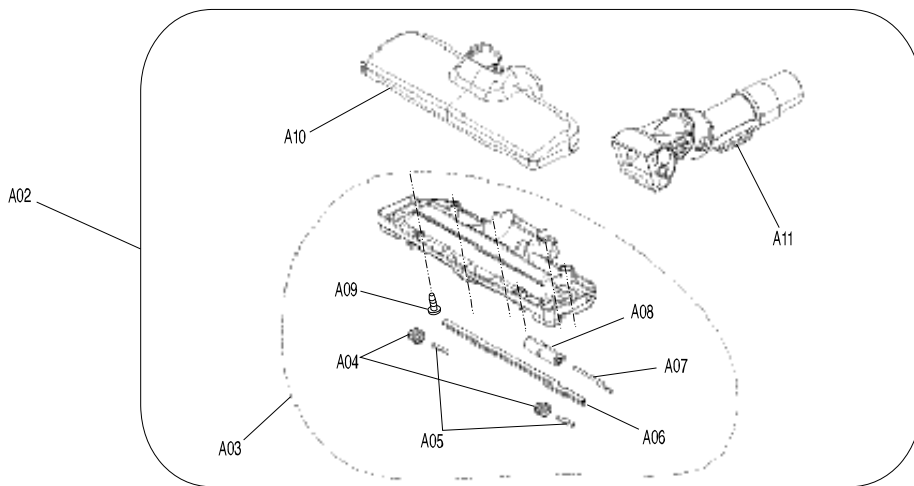
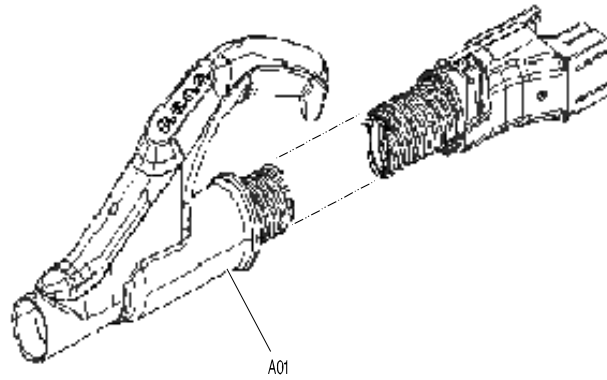
# 型號 DCL501 CORDLESS CYCLONE CLEANER



# 型號 DCL501 CORDLESS CYCLONE CLEANER



# 型號 DCL501 CORDLESS CYCLONE CLEANER



# 型號 DCL501 CORDLESS CYCLONE CLEANER

分解圖號	零件編號	品名	交換	數量	N/O	選擇1	選擇2	註記
001	SH00000011	BODY DECORATION L		1				
002	SH00000021	SCREW M4X12 BLACK		1				
003	SH00000020	SCREW M4X16 SILVER		2				
004	SH00000019	SCREW M4X12 SILVER		2				
005	SH00000255	WHEEL COVER L		1				
006	SH00000006	UPPER BODY L		1				
007	SH00000002	WHEEL BASE		1				
008	SH00000003	WHEEL GIDE		1				
009	SH00000019	SCREW M4X12 SILVER		4				
011	SH00000015	DUCT COVER ASSY		1				
012	SH00000019	SCREW M4X12 SILVER		3				
013	SH00000254	ELECTRIC EQUIPMENT UNIT		1				
014	SH00000005	LOWER BODY 2ND ASSY		1				
D10		INC. 15,16						
015	SH00000057	ROLLER D		1				
016	SH00000047	ROLLER SHAFT D		1				
017	SH00000003	WHEEL GIDE		1				
018	SH00000002	WHEEL BASE		1				
019	SH00000007	UPPER BODY R		1				
020	SH00000256	WHEEL COVER R		1				
021	SH00000020	SCREW M4X16 SILVER		2				
022	SH00000019	SCREW M4X12 SILVER		2				
023	SH00000021	SCREW M4X12 BLACK		1				
024	SH00000257	MAIN TRIM		1				
025	SH00000016	EXHAUST COVER ASSY		1				
D10		INC. 26-29						
026	SH00000048	FREE FRAME ASSY		1				
027	SH00000049	WASHER		1				
028-1	SH00000019	SCREW M4X12 SILVER		1				
029	SH00000021	SCREW M4X12 BLACK		2				
030	SH00000019	SCREW M4X12 SILVER		4				
031	SH00000018	BATTERY HOLDER		1				
032	643899-6	TERMINAL		1				
033	SH00000004	SEAL TAPE		1				
034	SH00000017	MK100 LED CIRCUIT ASS		1				
035	SH00000259	LED PANEL ASSY		1				
036	SH00000019	SCREW M4X12 SILVER		1				
037	SH00000008	BODY INNNER		1				
038	SH00000021	SCREW M4X12 BLACK		3				
039	SH00000022	SCREW M4X16 BLACK		1				
040-1	SH00000285	DUST CUP DK		1				
D10		INC. 40-46						
041	SH00000026	CUP COVER ASY		1				
042-1	SH00000286	CUP FILTER DK		1				
043	SH00000028	CUP FRAME ASSY		1				
044	SH00000029	DUST PLATE		1				
045	SH00000031	LOWER DUST CUP ASSY		1				
046	SH00000032	CLEANING BRUSH		1				

請訂購一個零件。

列印日期 2017/11/06

