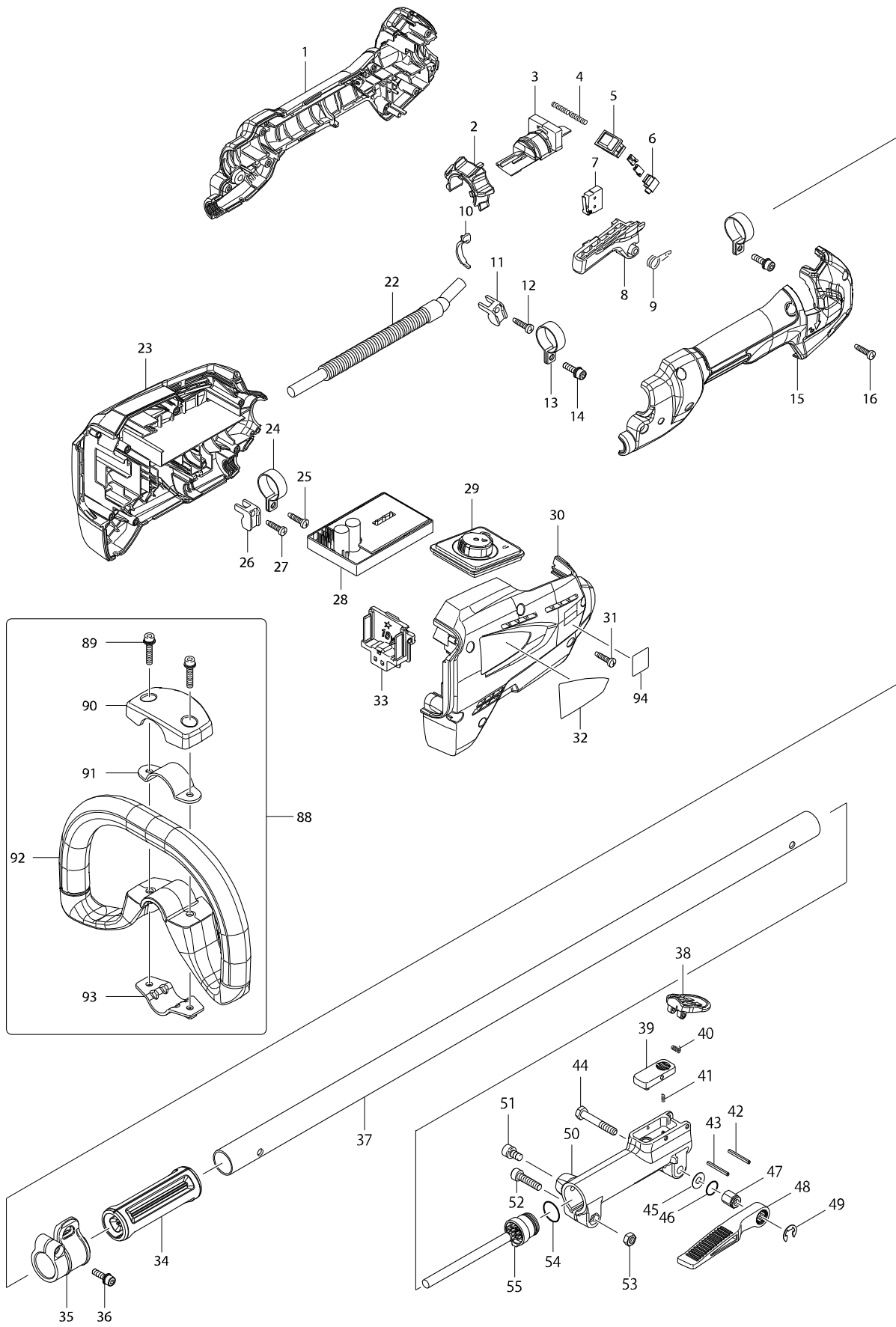
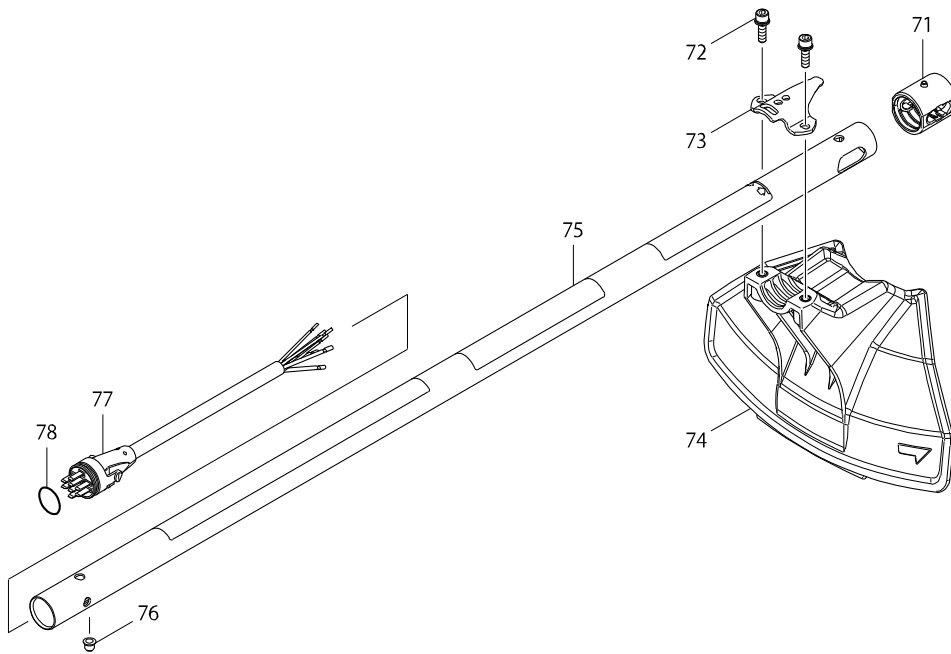
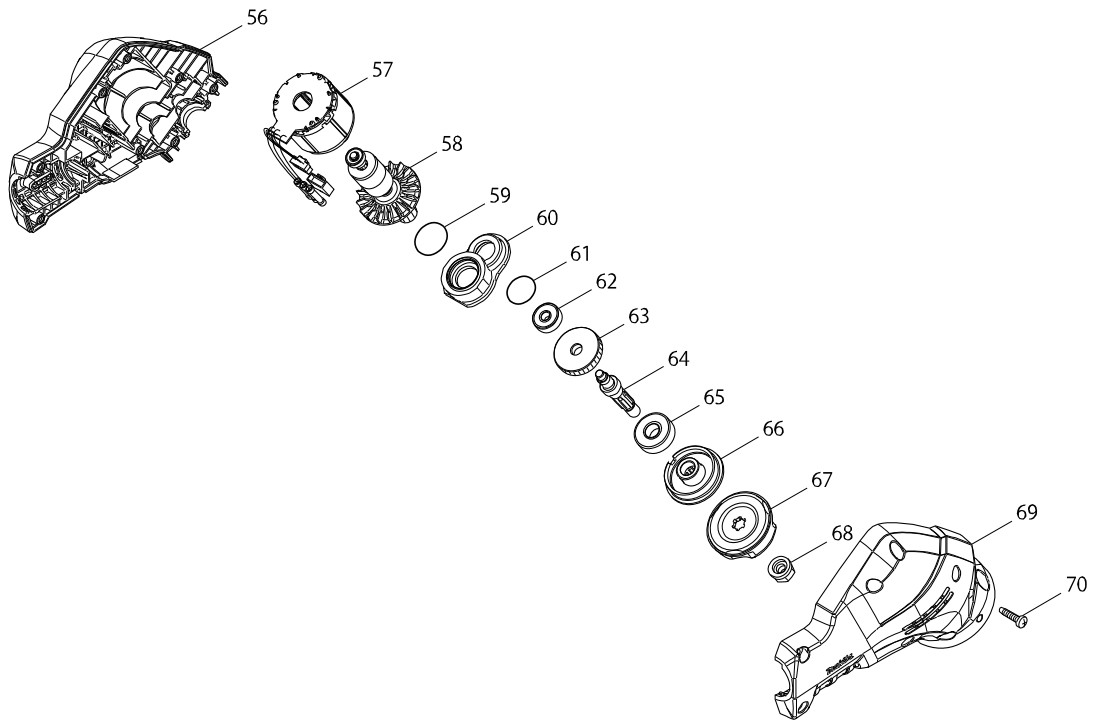


# 型號 DUR183L CORDLESS GRASS TRIMMER



# 型號 DUR183L CORDLESS GRASS TRIMMER



# 型號 DUR183L CORDLESS GRASS TRIMMER

分解圖號	零件編號	品名	交換	數量	N/O	選擇1	選擇2	註記
001	187698-1	GRIP SET		1				
	D10	INC. 15						
002	454737-5	LOCK OFF LEVER		1				
003	454738-3	LEVER BASE		1				
004	234079-1	COMPRESSION SPRING 4		2				
005	651533-4	SWITCH SLE6A2-33		1				
006	686015-7	RECEPTACLE SLEEVE		1				
007	650704-0	SWITCH D2SW-P01L1-3M		1				
008	454736-7	SWITCH LEVER		1				
009	233612-6	TORSION SPRING 10		1				
010	451985-7	LEAD COVER		1				
011	687261-5	STRAIN RELIEF		1				
012	265995-6	TAPPING SCREW 4X18		1				
013	346248-3	CLAMP 24		2				
014	922228-9	H.S.H.BOLT M5X18 WITH WR		2				
015	187698-1	GRIP SET		1				
	D10	INC. 1						
016	265995-6	TAPPING SCREW 4X18		6				
022	699064-5	POWER SUPPLY CORD UNIT		1				
023	187665-6	HOUSING SET		1				
	C10	263005-3	RUBBER PIN 6	2				
	D10	INC. 30						
024	346248-3	CLAMP 24		1				
025	265995-6	TAPPING SCREW 4X18		1				
026	687261-5	STRAIN RELIEF		1				
027	265995-6	TAPPING SCREW 4X18		1				
028	620196-7	CONTROLLER A		1				
029	142134-4	SUB CONTROLLER COMPLETE		1				
030	187665-6	HOUSING SET		1				
	C10	263005-3	RUBBER PIN 6	2				
	D10	INC. 23						
031	265995-6	TAPPING SCREW 4X18		6				
032	814X34-9	DUR183L NAME PLATE		1				
033	644808-8	TERMINAL		1				
034	451601-1	SPACER 24		1				
035	168478-4	HANGER		1				
036	922228-9	H.S.H.BOLT M5X18 WITH WR		1				
037	332069-9	PIPE B		1				
038	454304-6	JOINT COVER		1				
039	454303-8	LOCK LEVER		1				
040	233604-5	TORSION SPRING 3		1				
041	233211-4	COMPRESSION SPRING 2		1				
042	258010-3	SPRING PIN 2.5-25		1				
043	258010-3	SPRING PIN 2.5-25		1				
044	265596-0	HEX.BOLT M6X40		1				
045	253332-6	THIN WASHER 6		1				
046	213105-9	O RING 11		1				
047	252159-1	HEX. NUT M6		1				

請訂購一個零件。

列印日期 2017/07/05

# 型號 DUR183L CORDLESS GRASS TRIMMER

分解圖號	零件編號	品名	交換	數量	N/O	選擇1	選擇2	註記
048	272268-0	LEVER 94		1				
049	961014-3	STOP RING E-8		1				
050	319089-0	JOINT 24B		1				
051	922311-2	HEX. SOCKET HEAD BOLT M6X12		1				
052	922342-1	HEX. SOCKET HEAD BOLT M6X25		1				
053	931302-2	HEX. NUT M6		1				
054	213275-4	O RING 18		1	*			
054-1	213275-4	O RING 18	O	1				
055	699061-1	POWER SUPPLY CORD UNIT		1				
056	187585-4	MOTOR HOUSING SET		1				
D10		INC. 69						
057	629985-7	STATOR		1				
058	619324-9	ROTOR		1				
059-1	213373-4	O RING 22		1				
060	318978-6	BEARING BOX		1				
061	213325-5	O RING 19		1				
062-1	210143-2	BALL BEARING 626ZZ		1				
063	227773-2	HELICAL GEAR 31		1				
064	326275-6	CUTTER SHAFT		1				
065	210059-1	BALL BEARING 6000DDW		1				
066	324917-6	RECEIVE WASHER		1	*			
066-1	326906-7	RECEIVE WASHER	<	1				
067	168797-8	CLAMP WASHER COMPLETE		1				
068	264018-7	HEX.NUT M8		1				
069	187585-4	MOTOR HOUSING SET		1				
D10		INC. 56						
070	265995-6	TAPPING SCREW 4X18		8				
071	424567-8	RUBBER SLEEVE 24		1				
072	922228-9	H.S.H.BOLT M5X18 WITH WR		2				
073	345923-8	PROTECTOR CLAMP		1				
074	454299-3	PROTECTOR		1				
075-1	142933-4	PIPE A COMPLETE		1				
C10	819312-8	MAKITA LOGO LABEL		1				
C20	801H77-4	CAUTION LABEL		1				
076	326369-7	STOPPER PIN B		1				
077	699062-9	POWER SUPPLY CORD UNIT		1				
078	213275-4	O RING 18		1				
088	195626-2	LOOP HANDLE SET		1				
D10		INC. 89-93						
089	922243-3	HEX. SOCKET HEAD BOLT M5X25		2				
090	452843-0	CLAMP COVER B		1				
091	346468-9	CLAMP 33		1				
092	452841-4	LOOP HANDLE		1				
093	346467-1	CLAMP 24		1	*			
093-1	347094-7	CLAMP 24	O	1				
A01	196589-5	CUTTER ASSEMBLY SET		1				
A02	125516-5	BAND ASSEMBLY		1				
A03	195246-2	SAFETY GOGGLE		1				

