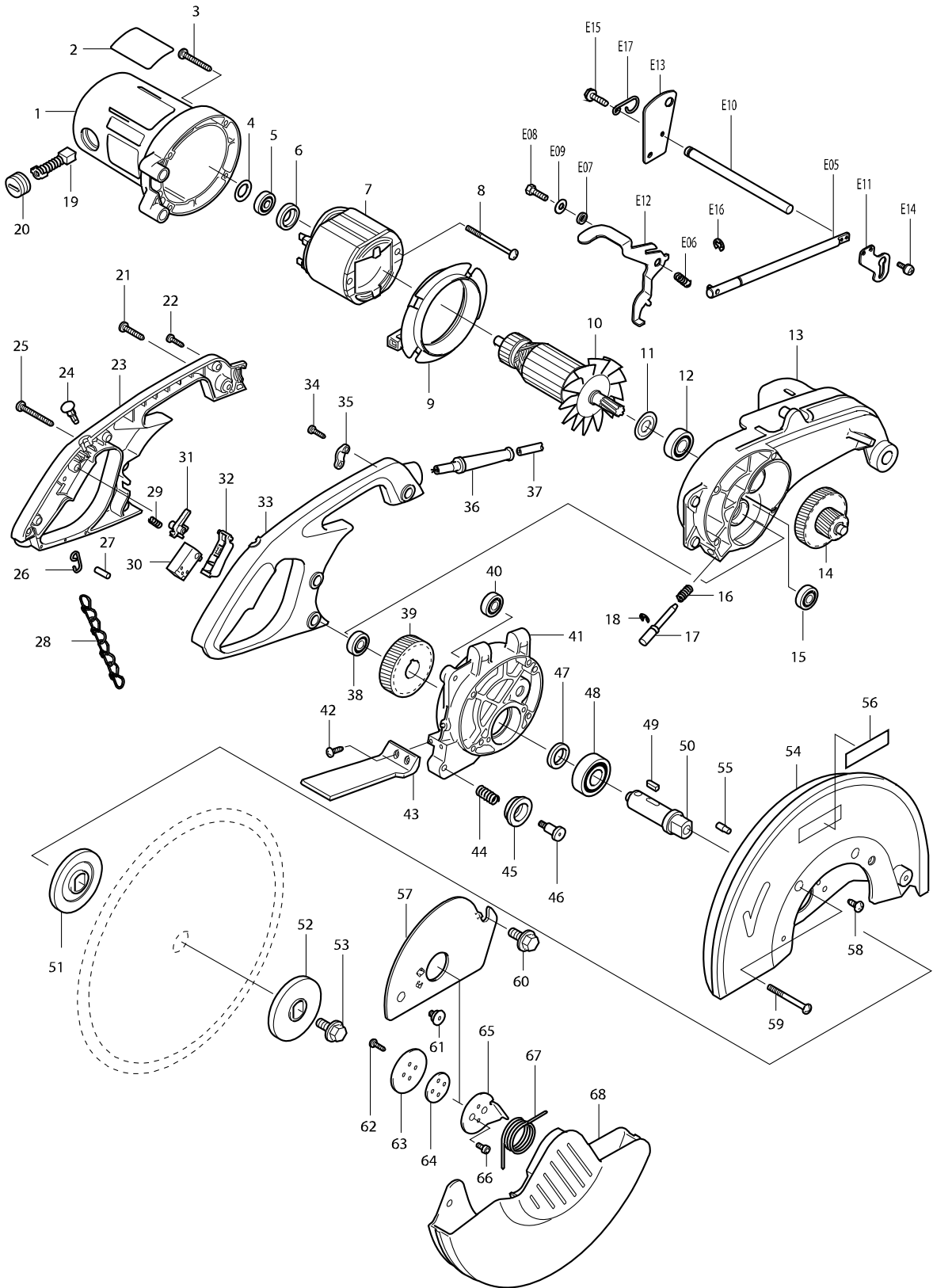
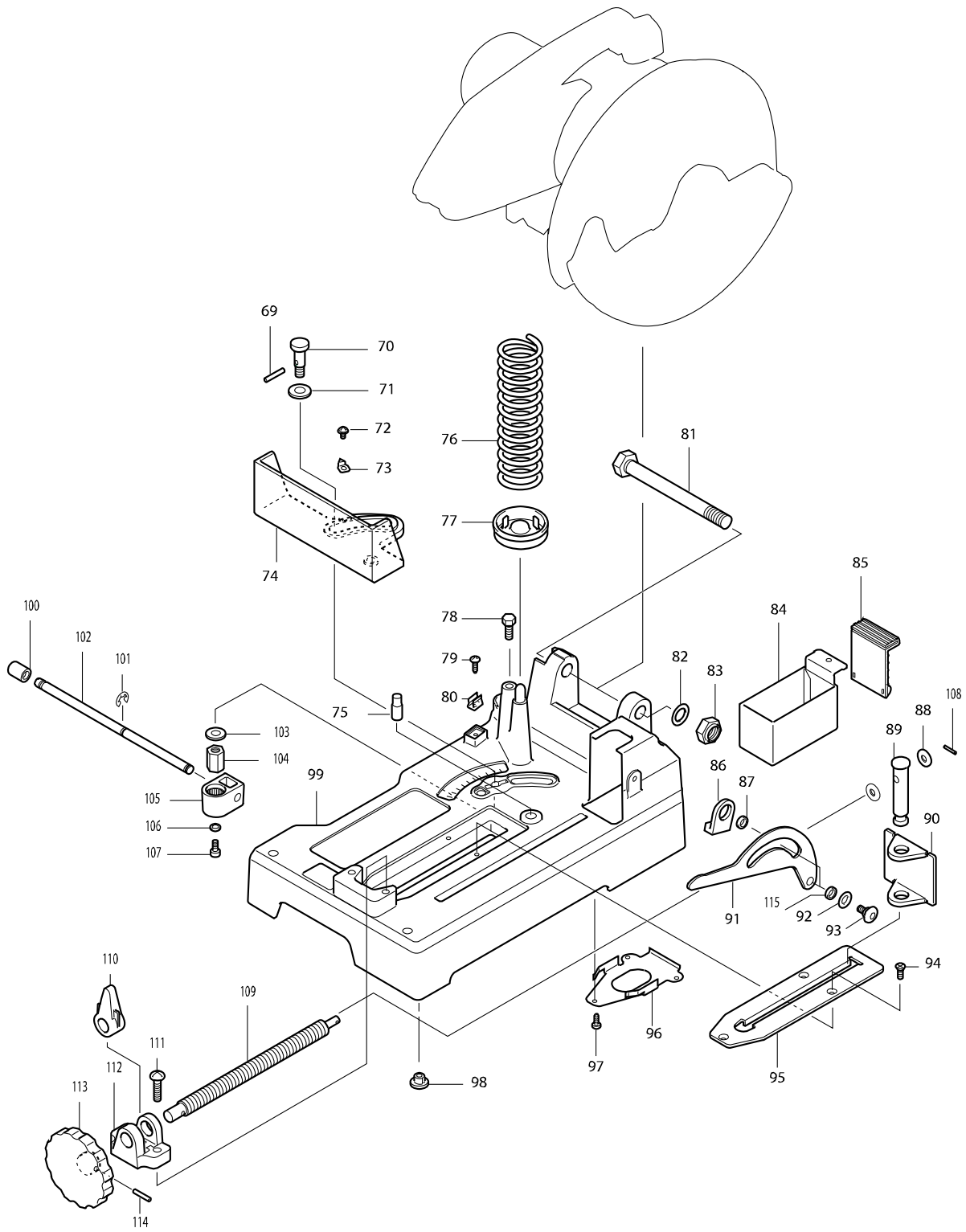


# 型號 LC1230 鎢鋼切斷機305MM



# 型號 LC1230 鎢鋼切斷機305MM



# 型號 LC1230 鋤鋼切斷機305MM

| 分解圖號  | 零件編號     | 品名                      | 交換 | 數量 | N/O | 選擇1 | 選擇2 | 註記 |
|-------|----------|-------------------------|----|----|-----|-----|-----|----|
| 001   | 151625-4 | 馬達座 F/LC1230            |    | 1  | *   |     |     |    |
| C10   | 632799-5 | 電線支承 C632901-0 F/LC1210 |    | 1  | *   |     |     |    |
| C20   | 643705-5 | 碳刷座 C/643704-7          |    | 2  | *   |     |     |    |
| C30   | 817874-0 | 注意標                     |    | 1  | *   |     |     |    |
| C40   | 817881-3 | 注意標                     |    | 1  | *   |     |     |    |
| 001-1 | 151641-6 | MOTOR HOUSING COMPLETE  | O  | 1  |     |     |     |    |
| C10   | 632799-5 | 電線支承 C632901-0 F/LC1210 |    | 1  |     |     |     |    |
| C20   | 643705-5 | 碳刷座 C/643704-7          |    | 2  | *   |     |     |    |
| C21   | 643707-1 | 碳刷座 F/4112,9067         | O  | 2  |     |     |     |    |
| C30   | 810964-8 | 注意標 F/LC07,LS08         |    | 1  |     |     |     |    |
| C40   | 810968-0 | 警告標                     |    | 1  |     |     |     |    |
| 002   | 851537-8 | 型牌LC1230                |    | 1  |     |     |     |    |
| 003   | 266028-0 | 螺絲CT 5X40 F/LC1210,30   |    | 4  |     |     |     |    |
| 004   | 253749-3 | F 華士16 F/LC1210,30      |    | 1  |     |     |     |    |
| 005   | 210053-3 | 軸承629LLB                |    | 1  | *   |     |     |    |
| 005-1 | 211056-0 | 軸承629LLB C/210042-8     | O  | 1  | *   |     |     |    |
| 005-2 | 210042-8 | 軸承 F/MT411              | O  | 1  |     |     |     |    |
| 006   | 681633-6 | 絕緣華士F/LS1211,14B,LC1210 |    | 1  | *   |     |     |    |
| 006-1 | 681666-1 | 絕緣墊圈                    | O  | 1  |     |     |     |    |
| 007   | 636166-6 | 外線圈 F/LC1230            |    | 1  |     |     |     |    |
| 008   | 266059-9 | 螺絲M5X75                 |    | 2  |     |     |     |    |
| 009   | 415475-4 | 擋片 F/LC1210,30          |    | 1  |     |     |     |    |
| 010   | 516571-2 | 馬達心 C/510282-1 F/LC1230 |    | 1  | *   |     |     |    |
| C10   | 241514-2 | 風葉92 F/LC1210,30        |    | 1  | *   |     |     |    |
| D10   |          | INC. 5,6                |    |    | *   |     |     |    |
| 010-1 | 510282-1 | 馬達心                     | O  | 1  |     |     |     |    |
| C10   | 241514-2 | 風葉92 F/LC1210,30        |    | 1  |     |     |     |    |
| D10   |          | INC. 5,6                |    |    |     |     |     |    |
| 011   | 267714-6 | 華士15 F/2414NB,LC1210,30 |    | 1  |     |     |     |    |
| 012   | 211206-7 | 培林6202LLB               |    | 1  |     |     |     |    |
| 013   | 316626-1 | 大齒輪座(左) F/LC1210,30     |    | 1  |     |     |     |    |
| 014   | 226122-0 | 齒輪組16-44 F/LC1210,30    |    | 1  |     |     |     |    |
| 015   | 211064-1 | 軸承6000                  |    | 1  |     |     |     |    |
| 016   | 231418-6 | 壓縮彈簧 9                  |    | 1  |     |     |     |    |
| 017   | 322678-2 | 固定桿 F/LC1210,30         |    | 1  |     |     |     |    |
| 018   | 961014-3 | 停止圈 E-8                 |    | 1  |     |     |     |    |
| 019   | 191953-5 | 碳刷CB-203 C/A-81321      |    | 1  |     |     |     |    |
| 020   | 643700-5 | 碳刷座蓋                    |    | 2  |     |     |     |    |
| 021   | 266032-9 | 螺絲CT 5X30 F/LC1210,30   |    | 1  |     |     |     |    |
| 022   | 265995-6 | 攻牙螺絲 4X18               |    | 4  |     |     |     |    |
| 023   | 182628-7 | 把手組 F/2414NB,LC1230     |    | 1  |     |     |     |    |
| D10   |          | INC. 33                 |    |    |     |     |     |    |
| 024   | 411478-6 | 安全按鈕 F/LS1011,2414NB    |    | 1  |     |     |     |    |
| 025   | 266033-7 | 螺絲CT 5X50 F/LC1210,30   |    | 2  |     |     |     |    |
| 026   | 281207-9 | 掛鉤 C/281216-8           |    | 1  | *   |     |     |    |
| 026-1 | 281216-8 | 鉤 F/MT240               | O  | 1  |     |     |     |    |
| 027   | 256012-3 | 銷6 F/LC1230             |    | 1  | *   |     |     |    |
| 027-1 | 268101-2 | 銷6 F/MT240              | O  | 1  |     |     |     |    |

請訂購一個零件。

列印日期 2017/11/24

# 型號 LC1230 鋤鋼切斷機305MM

| 分解圖號  | 零件編號     | 品名                      | 交換 | 數量 | N/O | 選擇1 | 選擇2 | 註記 |
|-------|----------|-------------------------|----|----|-----|-----|-----|----|
| 028   | 282010-1 | 鏈子 C282016-9 F/LC1210   |    | 1  | *   |     |     |    |
| 028-1 | 282016-9 | 鏈條 F/LC0700             | <  | 1  |     |     |     |    |
| 029   | 231397-8 | 彈簧 4                    |    | 1  |     |     |     |    |
| 030   | 651922-3 | 啟動開關                    |    | 1  |     |     |     |    |
| 031   | 415366-9 | 開關固定鈕 F/2414NB,LC1230   |    | 1  |     |     |     |    |
| 032   | 152463-7 | 開關板機                    |    | 1  |     |     |     |    |
| 033   | 182628-7 | 把手組 F/2414NB,LC1230     |    | 1  |     |     |     |    |
| D10   |          | INC. 23                 |    |    |     |     |     |    |
| 034   | 265995-6 | 攻牙螺絲 4X18               |    | 2  |     |     |     |    |
| 035B_ | 687054-0 | 固定片                     |    | 1  | *   |     |     |    |
| 035B1 | 687149-9 | 電線固定片                   | O  | 1  |     |     |     |    |
| 036   | 682505-8 | 電線保護管10-90              |    | 1  |     |     |     |    |
| 037   | 661214-2 | 電線1.25-2-2.5 C/693514-2 |    | 1  |     |     |     |    |
| 038   | 211064-1 | 軸承6000                  |    | 1  |     |     |     |    |
| 039   | 226427-8 | 螺旋齒輪38 F/LC1210,30      |    | 1  |     |     |     |    |
| 040   | 211061-7 | 滾珠軸承 6000LLB            |    | 1  |     |     |     |    |
| 041   | 317148-4 | 齒輪箱-右 LC1230            |    | 1  |     |     |     |    |
| 042   | 266034-5 | 螺絲 4X16                 |    | 2  |     |     |     |    |
| 043   | 416869-6 | 防護板 F/LC1230            |    | 1  |     |     |     |    |
| 044   | 231226-5 | 彈簧11 F/LC1230           |    | 1  |     |     |     |    |
| 045   | 415474-6 | 防振環 F/LC1210,30         |    | 1  |     |     |     |    |
| 046   | 266030-3 | 螺絲M6 F/LC1210,30        |    | 1  |     |     |     |    |
| 047   | 257139-2 | 環20 F/LC1210,30         |    | 1  |     |     |     |    |
| 048   | 211329-1 | 培林 6204DDW F/LC1210,30  |    | 1  |     |     |     |    |
| 049   | 254229-2 | 鏈 5                     |    | 1  |     |     |     |    |
| 050   | 323828-2 | 車心 F/LC1210,30          |    | 1  |     |     |     |    |
| 051   | 224308-0 | 內法蘭士70 F/LC1210,30      |    | 1  |     |     |     |    |
| 052-1 | 224379-7 | 外法蘭士69 F/LC1230         |    | 1  |     |     |     |    |
| 053   | 265414-2 | 法蘭士螺絲M10X22 F/LC1230    |    | 1  |     |     |     |    |
| 054   | 183089-4 | 刀座 F/LC1230             |    | 1  |     |     |     |    |
| D10   |          | INC. 56                 |    |    |     |     |     |    |
| 055   | 256405-4 | 銷 6-7 F/LC1230          |    | 2  |     |     |     |    |
| 056   | 819064-1 | 牧田銘牌                    |    | 1  |     |     |     |    |
| 057   | 344737-2 | 中心蓋 F/LC1230            |    | 1  |     |     |     |    |
| 058   | 266035-3 | 螺絲5X12 F/LC1230         |    | 2  |     |     |     |    |
| 059   | 911383-2 | 螺絲M6X60 F/LC1230        |    | 4  |     |     |     |    |
| 060   | 265414-2 | 法蘭士螺絲M10X22 F/LC1230    |    | 1  |     |     |     |    |
| 061   | 265020-3 | 十字螺絲M6 C/265121-7       |    | 1  | *   |     |     |    |
| 061-1 | 265121-7 | 十字螺絲M6 F/MT240,LC1230   | <  | 1  |     |     |     |    |
| 062   | 266034-5 | 螺絲 4X16                 |    | 2  |     |     |     |    |
| 063   | 344735-6 | 墊片座 F/LC1230            |    | 1  |     |     |     |    |
| 064   | 344734-8 | 墊片 F/LC1230             |    | 1  |     |     |     |    |
| 065   | 344736-4 | 板 F/LC1230              |    | 1  |     |     |     |    |
| 066   | 922107-1 | 六角螺絲M4X8                |    | 2  |     |     |     |    |
| 067   | 231643-9 | 扭力彈簧38 F/LC1230         |    | 1  |     |     |     |    |
| 068   | 317152-3 | 安全蓋 F/LC1230            |    | 1  |     |     |     |    |
| 069   | 256098-7 | 銷5 F/LS0811,LC1230      |    | 1  |     |     |     |    |
| 070   | 323882-6 | 固定螺絲12 F/LC1230         |    | 1  |     |     |     |    |

請訂購一個零件。

列印日期 2017/11/24

# 型號 LC1230 鋤鋼切斷機305MM

| 分解圖號  | 零件編號     | 品名                     | 交換 | 數量 | N/O | 選擇1 | 選擇2 | 註記 |
|-------|----------|------------------------|----|----|-----|-----|-----|----|
| 071   | 253843-1 | 平面墊片12                 |    | 1  |     |     |     |    |
| 072   | 911103-4 | 螺絲M4X6 F/LC1230        |    | 1  |     |     |     |    |
| 073   | 816128-2 | 指針 F/LC1210,30         |    | 1  |     |     |     |    |
| 074   | 310086-9 | 虎鉗擋板 F/LC1210,30       |    | 1  |     |     |     |    |
| 075   | 256453-3 | 銷12 F/LC1230           |    | 1  |     |     |     |    |
| 076   | 233103-7 | 扭力彈簧45 F/LC1230        |    | 1  |     |     |     |    |
| 077   | 165066-8 | 彈簧座 F/2414NB,LC1230    |    | 1  |     |     |     |    |
| 078   | 265412-6 | 六角螺絲M8X20 F/LC1230     |    | 1  |     |     |     |    |
| 079   | 266034-5 | 螺絲 4X16                |    | 1  |     |     |     |    |
| 080   | 232075-3 | 板彈簧 F/LC1230           |    | 1  |     |     |     |    |
| 081   | 265413-4 | 六角螺絲M16 F/LC1210,30    |    | 1  |     |     |     |    |
| 082   | 253771-0 | F 華士 16 F/LC1230       |    | 1  |     |     |     |    |
| 083   | 252044-8 | 六角螺母M16-24 F/LC1230    |    | 1  |     |     |     |    |
| 084   | 344740-3 | 集屑盒 F/LC1230           |    | 1  |     |     |     |    |
| 085   | 421671-4 | 橡膠墊 F/LC1230           |    | 1  |     |     |     |    |
| 086   | 421670-6 | 緩衝墊 F/LC1230           |    | 1  |     |     |     |    |
| 087   | 257222-5 | 圈8 F/LC1230            |    | 1  |     |     |     |    |
| 088   | 253731-2 | 平面墊片8 F/LC1230,0700    |    | 2  |     |     |     |    |
| 089   | 268040-6 | 銷16 F/LC1230           |    | 1  |     |     |     |    |
| 090   | 344118-0 | 虎鉗推片 F/LC1230          |    | 1  |     |     |     |    |
| 091   | 344738-0 | 連接板 F/LC1230           |    | 1  | *   |     |     |    |
| 091-1 | 346633-0 | LINK PLATE             | O  | 1  |     |     |     |    |
| 092-1 | 267236-6 | 平面墊片8 F/LC1230         |    | 2  |     |     |     |    |
| 093-1 | 265089-7 | 螺絲M6 F/LC1230          |    | 2  |     |     |     |    |
| 094   | 912212-2 | 螺絲M5X12                |    | 3  |     |     |     |    |
| 095   | 344119-8 | 刀口板 F/LC1210,30        |    | 1  |     |     |     |    |
| 096   | 344739-8 | 刀口下緣板 F/LC1230         |    | 1  |     |     |     |    |
| 097   | 266026-4 | 自攻螺絲 CT 4X12           |    | 3  |     |     |     |    |
| 098   | 286212-1 | 帽 20 F/LS1011,1211     |    | 5  |     |     |     |    |
| 099   | 151623-8 | 底座 F/LC1230            |    | 1  | *   |     |     |    |
| C10   | 817838-4 | 注意標                    |    | 1  | *   |     |     |    |
| 099-1 | 151624-6 | BASE COMPLETE          | O  | 1  |     |     |     |    |
| C10   | 810965-6 | 警告標                    |    | 1  |     |     |     |    |
| 100   | 286236-7 | 帽 16 F/LS1211,LC1230   |    | 1  |     |     |     |    |
| 101   | 961014-3 | 停止圈 E-8                |    | 2  |     |     |     |    |
| 102   | 323883-4 | 桿10 F/LC1230           |    | 1  |     |     |     |    |
| 103   | 253024-7 | 平面墊片10                 |    | 1  |     |     |     |    |
| 104   | 252161-4 | 六角螺母M10-17 F/LC1230    |    | 1  |     |     |     |    |
| 105   | 151622-0 | 桿座組 F/LC1230           |    | 1  |     |     |     |    |
| 106   | 941152-7 | F 華士 6                 |    | 1  |     |     |     |    |
| 107-1 | 265381-1 | 螺絲M6X16                |    | 1  |     |     |     |    |
| 108   | 951063-8 | 彈簧銷 3-16 F/LC1230      |    | 1  |     |     |     |    |
| 109   | 322679-0 | 虎鉗進退螺絲 F/LC1210,30     |    | 1  |     |     |     |    |
| 110   | 322209-7 | 虎鉗切換螺母 (配311949-2 固定座) |    | 1  |     |     |     |    |
| 111   | 911451-1 | 螺絲M8X30                |    | 2  |     |     |     |    |
| 112   | 311949-2 | 虎鉗固定座 (配322209-7 切換螺母) |    | 1  |     |     |     |    |
| 113-1 | 271072-4 | 把柄100 F/LC1230         |    | 1  |     |     |     |    |
| 114   | 951166-8 | 彈簧銷 5-24               |    | 1  |     |     |     |    |

請訂購一個零件。

列印日期 2017/11/24

