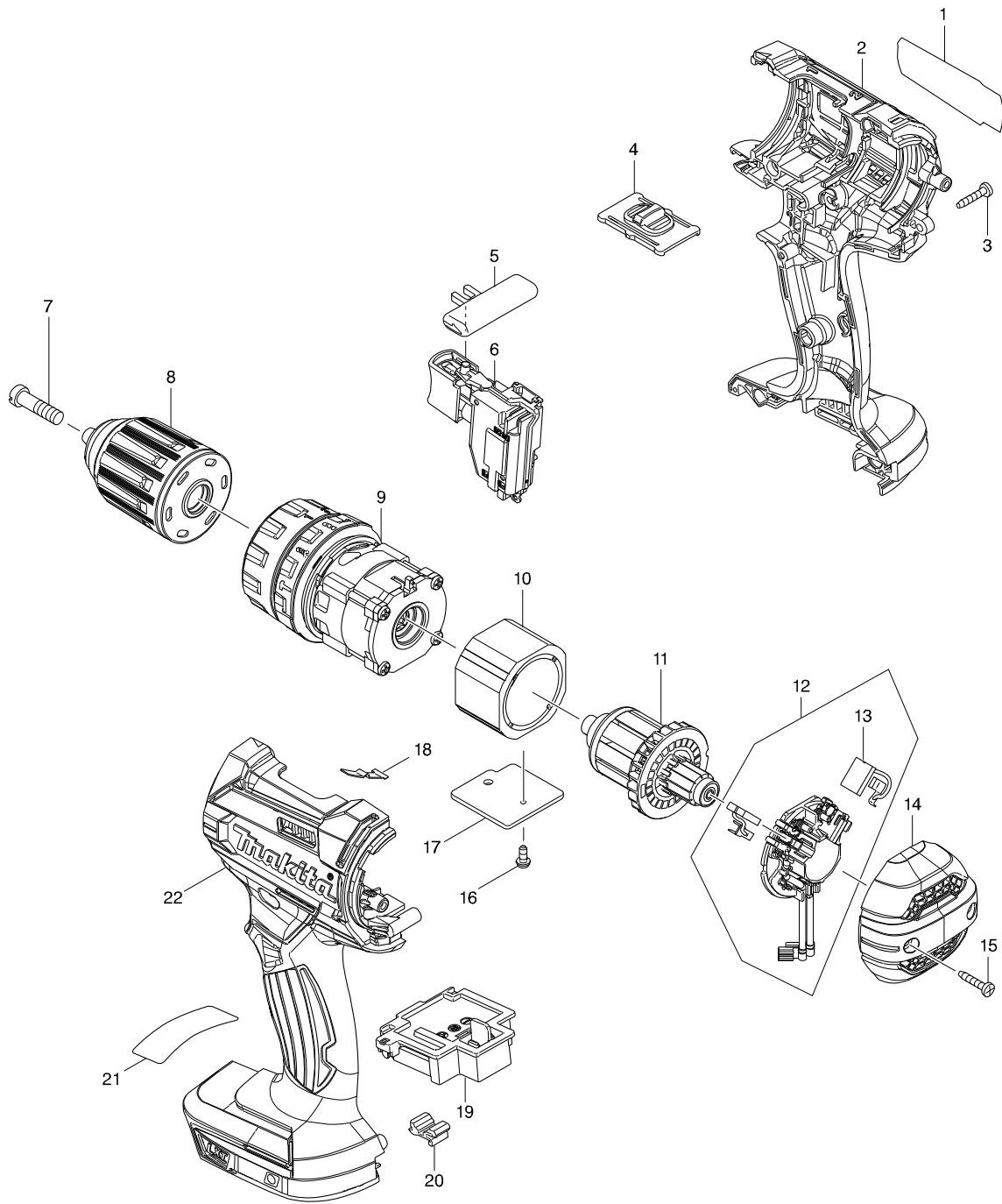


型號 DHP482 充電震動電鑽 18V



型號 DHP482 充電震動電鑽 18V

| 分解圖號 | 零件編號 | 品名 | 交換 | 數量 | N/O | 選擇1 | 選擇2 | 註記 |
|--------|----------|-----------------------------|----|----|-----|-----|-----|----|
| 001 | 851E32-8 | DHP482 NAME PLATE | | 1 | | | | |
| 002 | 183B65-0 | 外殼組 | | 1 | | | | |
| C10 | 263005-3 | 橡皮銷 6 | | 2 | | | | |
| D10 | | INC. 22 | | | | | | |
| 003 | 266429-2 | 自攻螺絲 3X16 | | 9 | | | | |
| 004 | 123442-2 | 變速桿 | | 1 | | | | |
| C10 | 233438-6 | 壓縮彈簧4 | | 2 | | | | |
| 005 | 419041-9 | 正逆切換桿 | | 1 | | | | |
| 006 | 650753-7 | 啟動開關 | | 1 | | | | |
| C10 | 620444-4 | LED CIRCUIT | | 1 | | | | |
| 007 | 251468-5 | 平頭螺絲 M6X22 | | 1 | | | | |
| 008 | 766027-7 | 夾頭 13 | | 1 | | | | |
| 009 | 123443-0 | 齒輪組件 | | 1 | | | | |
| 010 | 632F32-1 | 外線磁性座 | | 1 | * | | | |
| 010-1 | 632J70-7 | YOKE UNIT | < | 1 | | | | |
| 011 | 619380-9 | 馬達心 | | 1 | | | | |
| 012 | 632F22-4 | 碳刷座組 | | 1 | | | | |
| D10 | | INC. 13 | | | | | | |
| 013 | 194427-5 | 碳刷 CB-440 | | 1 | | | | |
| 014 | 456099-7 | 後蓋 | | 1 | | | | |
| 015 | 266429-2 | 自攻螺絲 3X16 | | 2 | | | | |
| 016A | 911006-2 | 螺絲 M3X8 | | 1 | * | | | |
| 016B | 911006-2 | 螺絲 M3X8 | | 1 | * | | | |
| 016C | 911006-2 | 螺絲 M3X8 | | 1 | * | | | |
| 016D | 911006-2 | 螺絲 M3X8 | | 1 | * | | | |
| 016-1A | 652066-2 | +PAN HEAD SCREW M3X9 WITH W | < | 1 | | | | |
| 016-1B | 652066-2 | +PAN HEAD SCREW M3X9 WITH W | < | 1 | | | | |
| 016-1C | 652066-2 | +PAN HEAD SCREW M3X9 WITH W | < | 1 | | | | |
| 016-1D | 652066-2 | +PAN HEAD SCREW M3X9 WITH W | < | 1 | | | | |
| 016-1E | 652066-2 | +PAN HEAD SCREW M3X9 WITH W | | 1 | | | | |
| 017 | 689070-8 | 隔離板 F/6908,14DWA | | 1 | | | | |
| 018 | 232182-2 | 彈簧片 | | 1 | | | | |
| 019 | 644808-8 | 電池端子 | | 1 | | | | |
| 020 | 424476-1 | 墊 | | 1 | | | | |
| 022 | 183B65-0 | 外殼組 | | 1 | | | | |
| C10 | 263005-3 | 橡皮銷 6 | | 2 | | | | |
| D10 | | INC. 2 | | | | | | |
| A01 | 251314-2 | 螺絲 M4X12 | | 1 | | | | |
| A02 | 346317-0 | 掛勾(大) | | 1 | | | | |
| A03 | 784637-8 | + - 起子頭 2-45 | | 1 | | | | |
| A04A | 141856-3 | 塑料手提箱 | | 1 | | | | |
| C10 | 162302-3 | 推板 | | 2 | | | | |
| C20 | 324207-7 | 軸 | | 1 | | | | |
| C30 | 451749-9 | 握把 | | 1 | | | | |
| A04C | 141856-3 | 塑料手提箱 | | 1 | | | | |
| C10 | 162302-3 | 推板 | | 2 | | | | |
| C20 | 324207-7 | 軸 | | 1 | | | | |
| C30 | 451749-9 | 握把 | | 1 | | | | |

請訂購一個零件。

列印日期 2017/11/09

