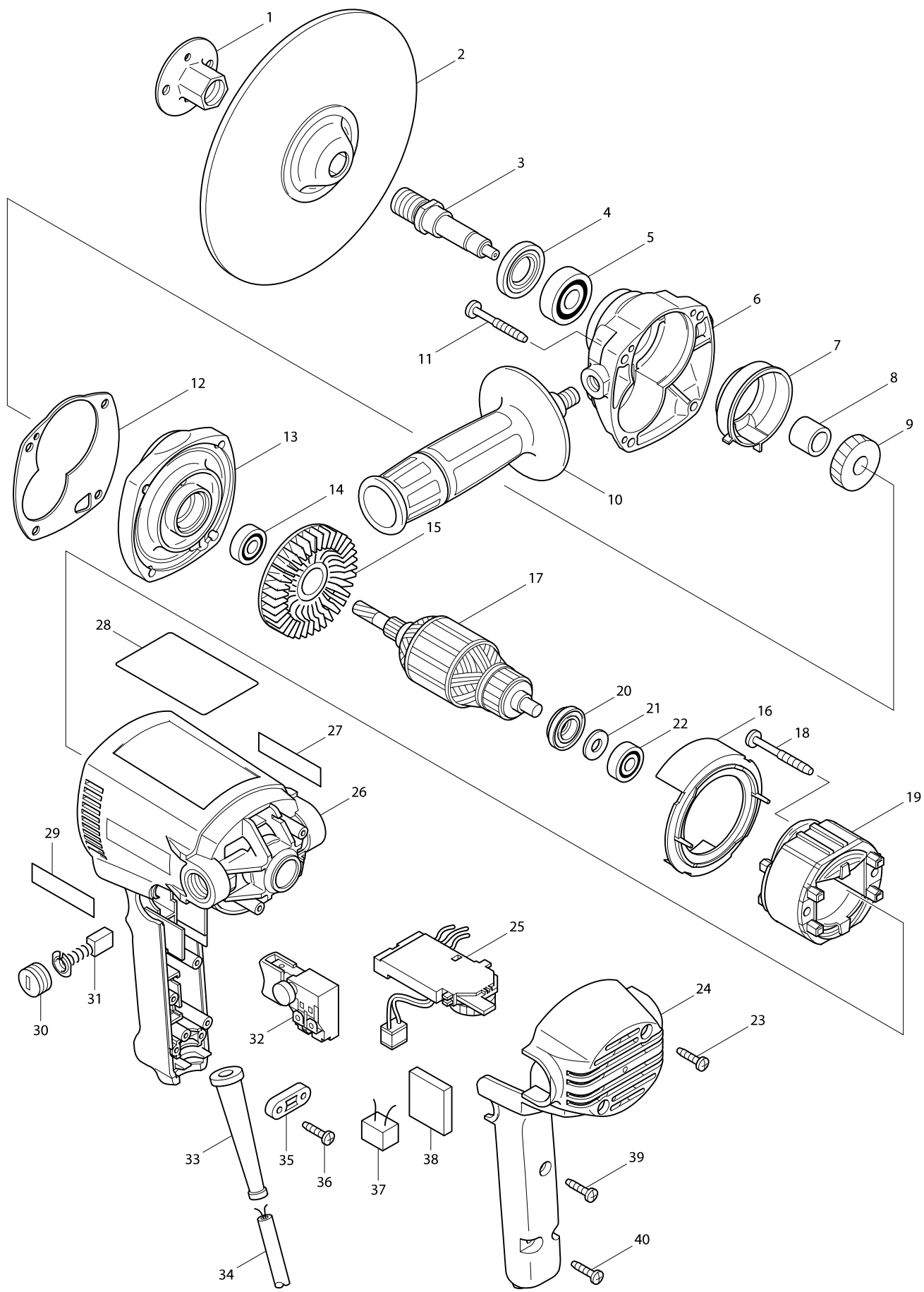


型號 GV7000C DISC SANDER 180MM



分解圖號	零件編號	品名	交換	數量	N/O	選擇1	選擇2	註記
001	224523-6	SANDING LOCK NUT 16-48		1				
002	743012-7	RUBBER PAD 170		1				
003	324080-5	SPINDLE		1				
004	152690-6	BEARING RETAINER COMPLETE		1				
C10	213209-7	OIL SEAL 16		1				
005	211129-9	BALL BEARING 6201DDW		1				
006	317458-9	GEAR HOUSING		1				
007	417460-3	GREASE FENCE		1				
008	257708-9	SLEEVE 12		1				
009	226537-1	HELICAL GEAR 39		1				
010	152491-2	GRIP 36 COMPLETE		1				
011	266211-9	TAPPING SCREW 5X40		4				
012	442132-1	GASKET		1	*			
012-1	417837-2	GASKET	O	1				
013	152809-7	GEAR HOUSING COVER COMPLETE		1				
C10	212016-5	NEEDLE BEARING 609		1				
014	210005-4	BALL BEARING 608DDW		1				
015	240020-4	FAN 65		1				
016	413077-0	BAFFLE PLATE		1	*			
016-1	419721-7	BAFFLE PLATE	<	1				
017	516441-5	ARMATURE ASS'Y 115V		1				
D10		INC. 14,15,20-22						
018	266056-5	TAPPING SCREW 5X45		2				
019C_	599014-9	FIELD ASS'Y 115V		1				
C10	654020-2	RING TERMINAL		2				
C20	654501-6	CONNECTOR P-1.25		2				
020	681660-3	INSULATION WASHER		1				
021	253139-0	FLAT WASHER 8		1				
022	210005-4	BALL BEARING 608DDW		1				
023	265995-6	TAPPING SCREW 4X18		2				
024	417450-6	HANDLE COVER		1				
025	631428-7	CONTROLLER		1				
026	183299-3	MOTOR HOUSING SET		1				
D10		INC. 27,29						
027	819063-3	MAKITA LABEL		1				
028	852822-2	NAME PLATE GV7000C		1				
029	819063-3	MAKITA LABEL		1				
030	643750-0	BRUSH HOLDER CAP 7-11		2				
031	191963-2	CARBON BRUSH CB-303		1				
032A_	651297-0	SWITCH		1				
033	682566-8	CORD GUARD 10		1				
034	661014-0	POWER SUPPLY CORD 0.75-2-2.5		1				
035	687053-2	STRAIN RELIEF		1				
036	265995-6	TAPPING SCREW 4X18		2				
037	645253-0	NOISE SUPPRESSOR		1				
038	685722-9	SPONGE		1	*			
039	265995-6	TAPPING SCREW 4X18		1				
040	265995-6	TAPPING SCREW 4X18		2				

