

DCS7301



Documents

- 1 Fuel tank, tubular grip
- 2 Hood, air filter, muffler
- 3 Cylinder, crankcase
- 4 Ignition electronics, starter
- 5 Oil pump, clutch
- 6 Chain brake
- 7 Carburetor
- 8 Special parts for version with electric handle heating
- 9 Guide bars, saw chains, tools

Illustration 1 Fuel tank, tubular grip

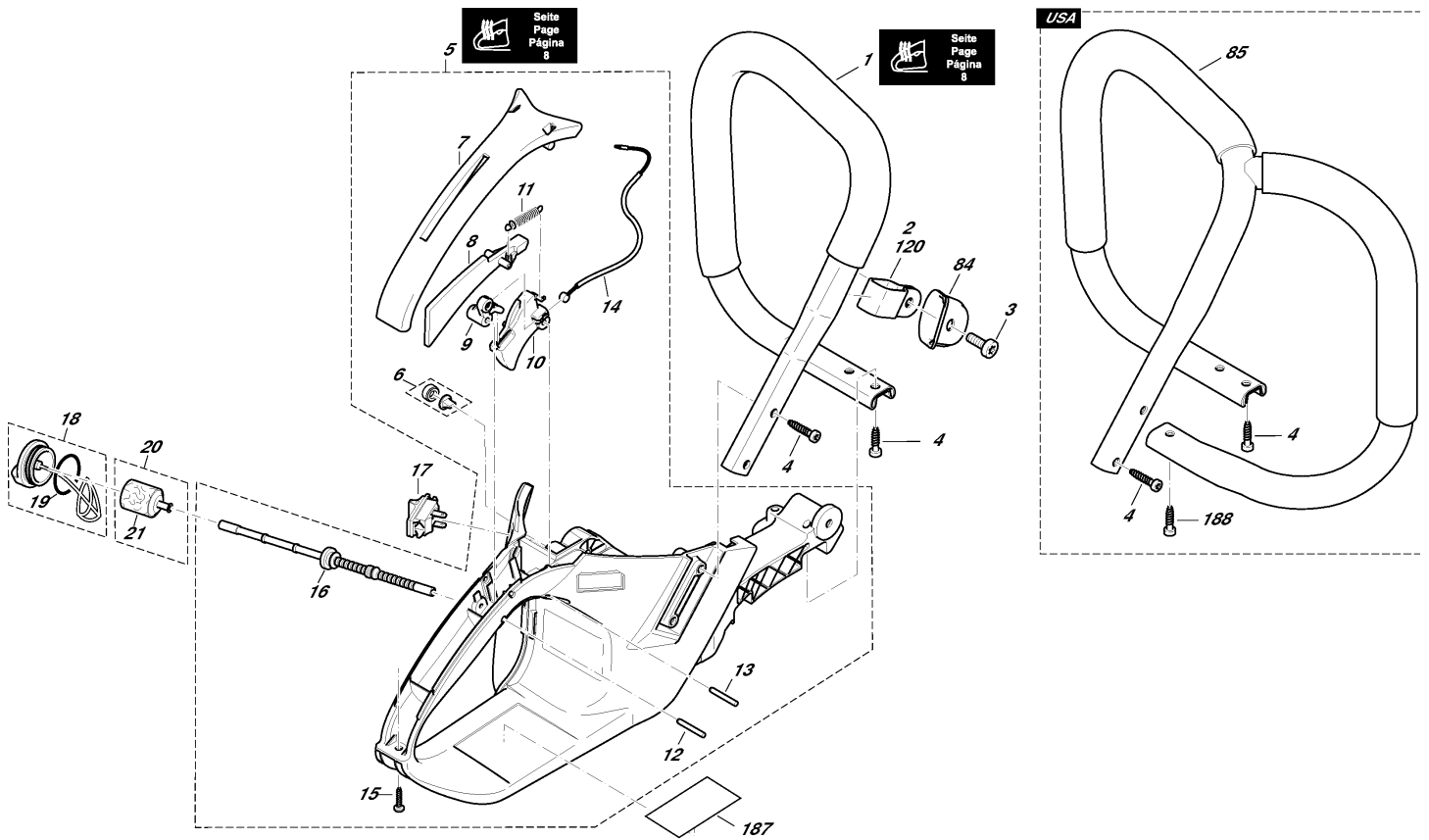


Illustration 1 Fuel tank, tubular grip

Pos.	Qty.	Part No.	Notes	Description	Specification	TI
1	1	038310021		TUBULAR HANDLE ASSY.		
2	1	038310062	TI 2002/07	CLAMP		2005-02M
3	1	908006145		SCREW	M6X14	
4	4	913455164		SCREW	5,5X16	
5	1	038114700		TANK CPL. BLUE	USA (EPA) INC.	
5	1	038114660		TANK CPL. BLUE	6-16, 187 INC. 6-16	
6	1	957114061		AIR VALVE CPL.		2008-04M
7	1	038114631		GRIP PLATE BLUE		
8	1	038117020		CATCH LEVER		
9	1	038117030		ROCKER		
10	1	038117010		THROTTLE LEVER		
11	1	038117050		SPRING		
12	1	935930240		CYLINDRICAL PIN	3X24	
13	1	935930280		CYLINDRICAL PIN	Ø3X28	
14	1	038117041		BOWDEN CABLE		2011-23M
15	1	913340204		SCREW		
16	1	038114052		FUEL LINE	EPA CODE	
17	1	975001241		SHORT-CIRCUIT SWITCH		2004-01M, 2009-15M
18	1	010114050		TANK CAP ASSY. (FUEL)	INC. 19	
19	1	963228030		PACKING RING	Ø 28X3	
20	1	010114010		SUCTION HEAD	INC. 21	
21	1	010114020		REP. KIT, FILTER (5 OF EACH)	FOR 010114010	
84	1	038310070		SPRING LIMITER		
85	1	038310111	USA	WRAP AROUND HANDLE ASSY.	USA	
120	1	010114039		SET OF SPRINGS	INC. 2,70,88,90,93	
187	1			LABEL, TANK	USA - EVAPORATION	
188	1	913455164		SCREW	MAKITA 5,5X16	

Illustration 2 Hood, air filter, muffler

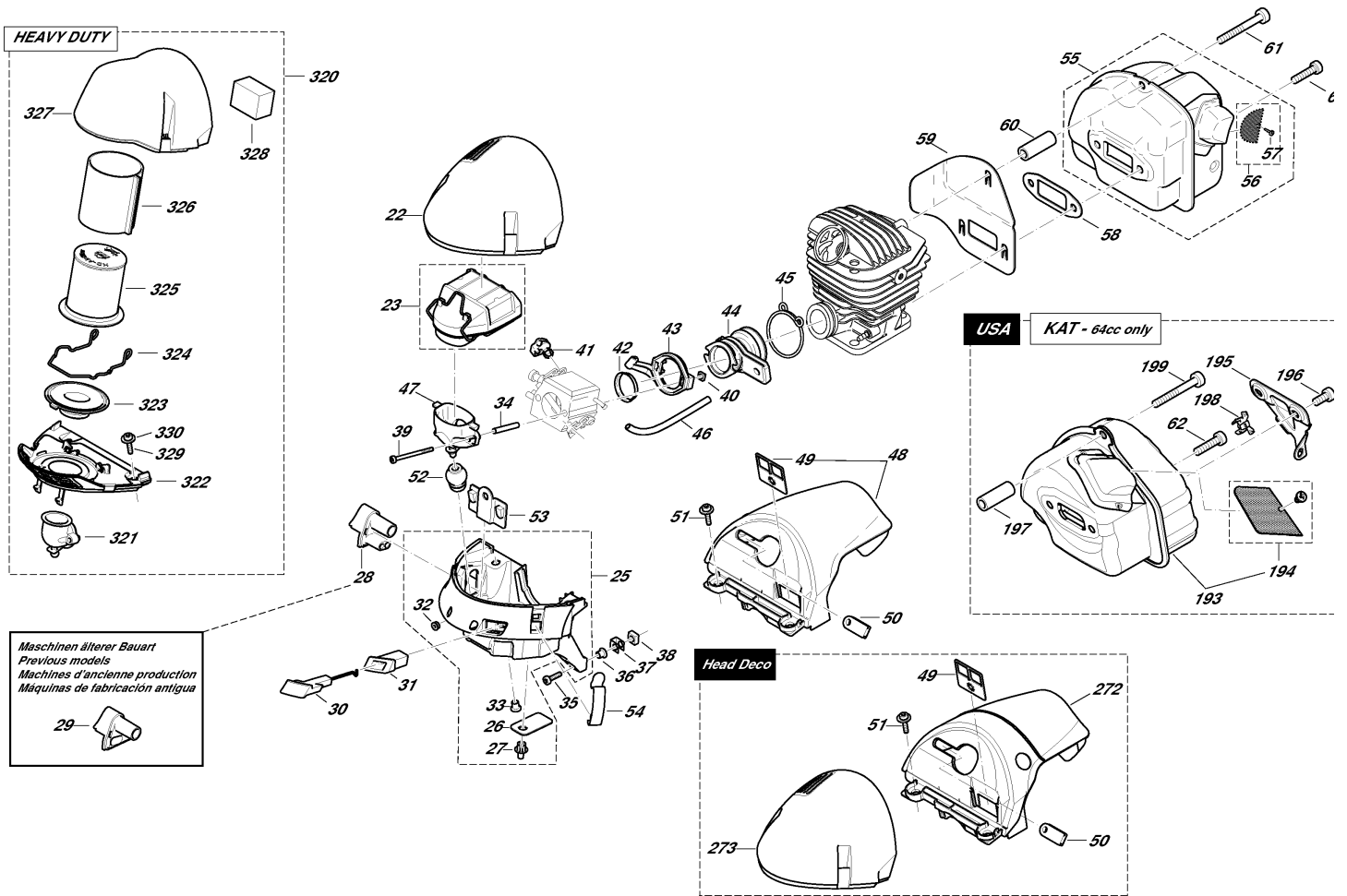


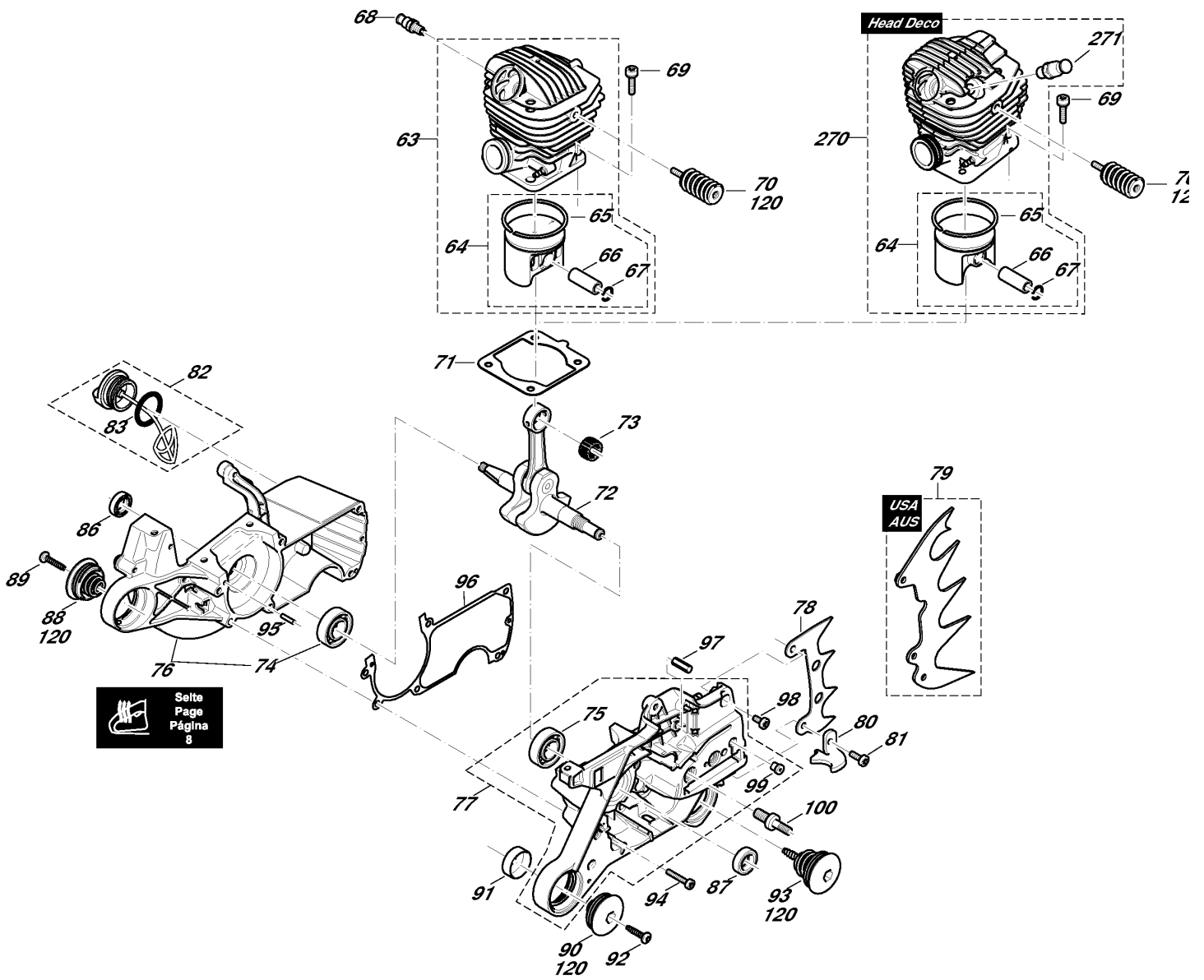
Illustration 2 Hood, air filter, muffler

Pos.	Qty.	Part No.	Notes	Description	Specification	TI
22	1	038118022	RUS => 2011-12	COVER RED		
22	1	038118622	=> 2011-12	COVER GREY		2007-17M, 2009-05M
23	1	038173101		AIR FILTER CPL.	VLIES	2009-05M
23	1	038173011		AIR FILTER CPL.	NYLON	2009-05M
23	1	038173080	IT, PT	AIR FILTER CPL.	NYLON 0,05 MM	
25	1	038118670		BOTTOM BLUE	INC. 26,27,32,33	2011-08M
26	2	038118110		RUBBER FLAP		
27	2	938650062		RIVET		
28	1	038118083	2009-10 =>	GUIDE		2009-13M
29	1	038118081	=> 2009-09	GUIDE		2009-13M
30	1	038155052		CHOKE SHAFT		
31	1	038155020		CHOKE GUIDE		
32	1	038118300	2007-10 =>	RUBBER BUSH		2011-08M
32	1	965401020	=> 2007-10	RUBBER BUSH		2011-08M
33	2	001118100		BUSHING		
34	2	038155060		SPACER	30 MM	
35	2	908005205		SCREW	M5X20	
36	2	001118100		BUSHING		
37	2	038111050		CLIP		
38	2	038111060		SQUARE NUT	M5, SW10	
39	2	908204555		SCREW	M4X55	
40	2	921804004		SQUARE NUT	M4	
41	1	038155012		RETAINING CLIP		
42	1	038131031		INSERT FOR SUCTION HOSE		
43	1	038171041		FLANGE		
44	1	038131011		SUCTION HOSE		
45	1	038131070		HOSE CLIP		2008-11M
46	M	965452382		TUBE	5,5X3 L=1000MM 75 MM	
47	1	038171012		CONNECTING MUFF		2003-06M
48	1	038118691	=> 2011-12	HOOD CPL. GREY	DECO INC. 49	2012-01M
48	1	038118091	RUS => 2011-12	HOOD CPL. RED	DECO	
49	1	038118140		INSERT		2012-01M
50	1	038118130		CABLE GUIDE		
51	2	917105205		SCREW	M5X20	
52	1	038171031		HOLDER		
53	1	038118100		PLUG		
54	2	130118070		STEELCLIP		2013-52M
55	1	038174200		MUFFLER	INC. 56	
56	1	038174040	USA, AUS	SPARK ARRESTER SCREEN CPL.	INC. 57	
57	1	915035120	USA, AUS	SCREW	USA	
58	1	038174811		MUFFLER GASKET		
59	1	038174023		COOLING PLATE		
60	1	038174030		CONNECTING LINK	L=26,8MM	
61	1	908305405		H.L. SOCKET HEAD BOLT	M5X40	
62	2	908405205		H.L. SOCKET HEAD BOLT	M5X20	

Illustration 2 Hood, air filter, muffler

Pos.	Qty.	Part No.	Notes	Description	Specification	TI
272	1	038118050	2012-01 =>	HOOD BLACK	HEAD DECO	
273	1	038118024	2012-01 =>	COVER BLACK		
320	1	957173400	ACC.	AIR FILTER	HEAVY DUTY INC.	
321	1	038171050	ACC.	CONNECTING MUFF	321-327 HEAVY DUTY	
322	1	038118460	ACC.	INTERMEDIATE BOTTOM		
323	1	038118490	ACC.	BELLOWS		
324	1	038118450	ACC.	CLIP FOR BOW		
325	1	038173310	ACC.	AIR-FILTER CARTRIDGE		
326	1	038173350	ACC.	PRE-FILTER		
327	1	038118410	ACC.	COVER	BLACK, HD	
328	1	038173370	ACC.	PRE-FILTER	S/W	
329	2	908405255	ACC.	SCREW	M5X25	
330	2	924805310	ACC.	DISC	Ø5,3/15X1	

Illustration 3 Cylinder, crankcase



Selte
Page
Página
3

Illustration 3 Cylinder, crankcase

Pos.	Qty.	Part No.	Notes	Description	Specification	TI
63	1	039130032	TI 2002-08	CYLINDER / PISTON CPL.	D=50 DECO INC.	64 2012-01M
64	1	395132050		PISTON CPL.	Ø 50 INC.	65-67
65	1	394132020		PISTON RING	Ø 50	
66	1	119132030		PISTON PIN		
67	2	038132080		CLIP		
68	1	001131150		VALVE		2012-01M
69	4	908805235		SCREW	M5X23	2006-12M, 2007-10M, 2008-13M
70	1	038114152		SPRING W. THREADED INSERT		
71	1	965531160		GASKET, METAL		2008-03M
72	1	038120100		CRANKSHAFT ASS'Y		2006-13M
73	1	962210121		NEEDLE CAGE		
74	1	960102152		BALL BEARING (USE GLUE)	6202	
75	1	960102179		BALL BEARING	6203 C4	
76	1	038111660		CRANKC. MAG. SIDE BLUE	INC. 74	
77	1	038111641		CRANKC. CLUTCH SIDE BLUE	INC. 75,99	
78	1	038250021		SPIKE BAR		
79	1	038250222		SPIKE BAR	USA, AUS	2014-29D
80	1	038111171		CHAIN CATCH		
81	1	908805205		SCREW WITH SPRING WASHER	M5X20	
82	1	010114050		TANK CAP ASSY. (FUEL)	INC. 83	
83	1	963228030		PACKING RING	Ø 28X3	
86	1	962900052		RADIAL RING	Ø15/24X7	
87	1	962900061		RADIAL RING	17X28X5/4	
88	1	038114130		SPRING CPL. WITH CAP		
89	1	913455204		SCREW	5,5X20	
90	1	038114130		SPRING CPL. WITH CAP		
91	1	038114191		POT		
92	1	913455204		SCREW	5,5X20	
93	1	038114141		SPRING CPL. WITH CAP		
94	6	908005305		SCREW	M5X30	
95	2	936430160		CLAMPING PIN	3X16	
96	1	038111042		GASKET		
97	1	934660250		SLOTTED PIN	6X24	
98	1	908105126	2015-01 =>	SCREW	M5X12	
98	1	908005125	=> 2014-12	SCREW	M5X12	
99	1	010245030		VENT VALVE		
100	2	038232011		TIGHTEN LOCKING BOLT		
120	1	010114039		SET OF SPRINGS		
270	1	039130910		REPLACEMENT CYLINDER SET HEAD DECO	D=50 INC. 49,64,271,272	2012-01M
271	1	038118180		DECOMPRESSION VALVE		

Illustration 4 Ignition electronics, starter

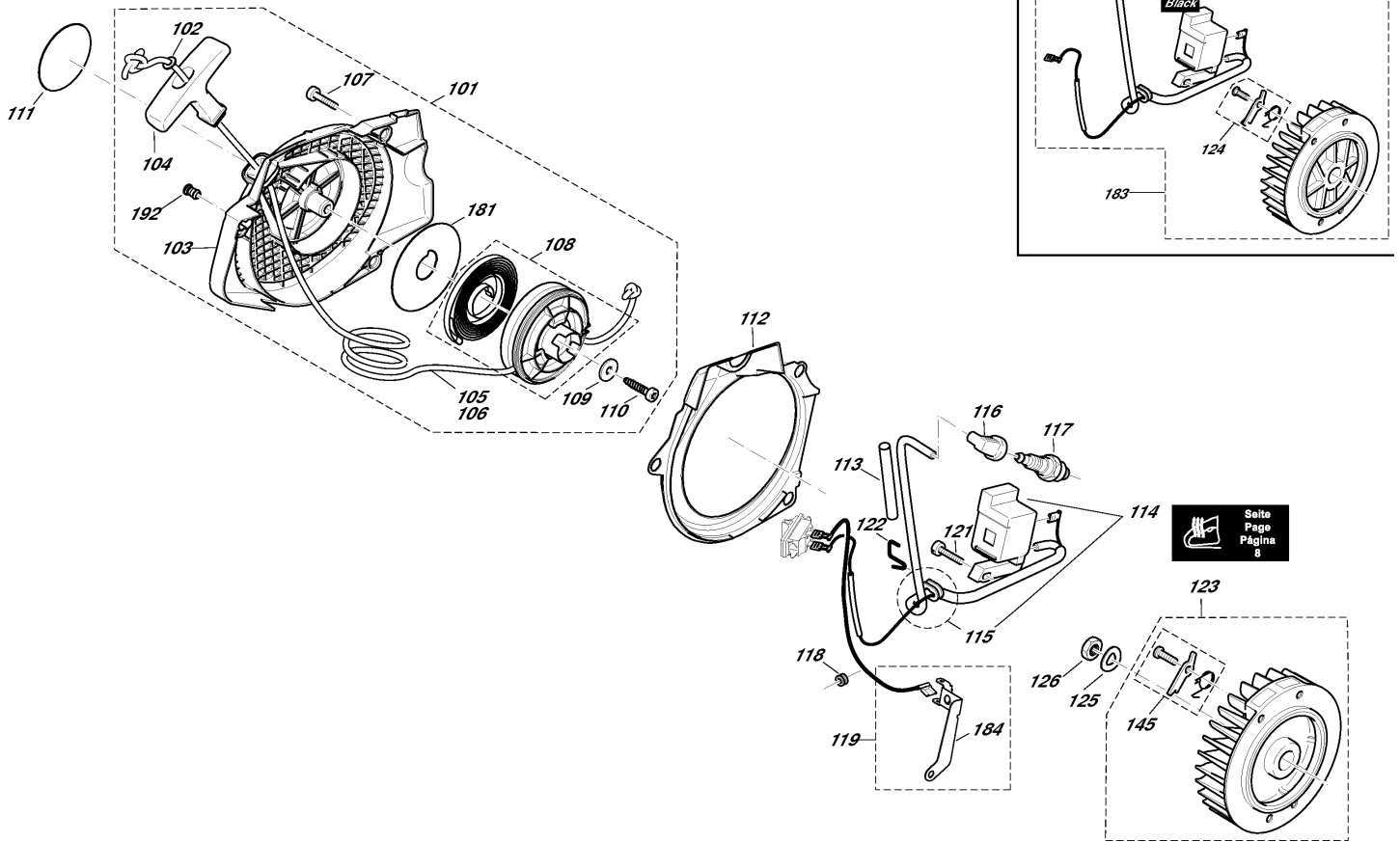


Illustration 4 Ignition electronics, starter

Pos.	Qty.	Part No.	Notes	Description	Specification	TI
101	1	038160610		STARTER ASSY. BLUE	INC. 102-110,181,192	2009-13M
102	1	928405000		DISC		
103	1	038112631		FAN HOUSING BLUE		
104	1	001161020		STARTER GRIP		
105	1	108164020		STARTER ROPE	Ø 3,5 X 980 MM	
106	1	985000155	ACC.	STARTER ROPE	Ø 3,5 X 100 M	
107	3	908605205		H.L. SOCKET HEAD BOLT	M5X20	
108	1	038162024		CABLE DRUM CPL.		2003-02M
109	1	924605510		WASHER	Ø 5,5X18X1,6	
110	1	913455204		SCREW	5,5X20	
111	1	980115330		LABEL	DCS7301	
112	1	038112020		AIR DUCT		
113	M	970502110		INSULATING HOSE	A6X0,5 140 MM	
114	1	038143041		IGNITION COIL RED	INC. 115	2005-11M
115	1	038143030		CABLE HARNESS		
116	1	957604240		SPARK PLUG CAP CPL.		
117	1	965603021		SPARK PLUG		
118	1	965401011		RUBBER BUSHING		
119	1	957311590		EARTH CABLE	SET INC. 184	
121	2	908304205		SCREW	M4X20	
122	1	038111110		CLIP		
123	1	957141003		FLYWHEEL	D120 INC. 145	2005-11M
124	2	108166051	=> 2010-09	STARTER RATCHET CPL. (WITH BOLT)		
125	1	926208001		SPRING WASHER	B8	
126	1	920208024		HEXAGONAL NUT	M8X1	
145	2	038166050	2010-10 =>	STARTER RATCHET CPL. (WITH SCREW)		
181	1	038162050		SPACER		
183	1	010038143		FLYWHEEL AND IGNITION COIL CPL.	INC. 124	2011-32M
184	1	038111150		CLAMP		
192	1	195151300		PLUG		

Illustration 5 Oil pump, clutch

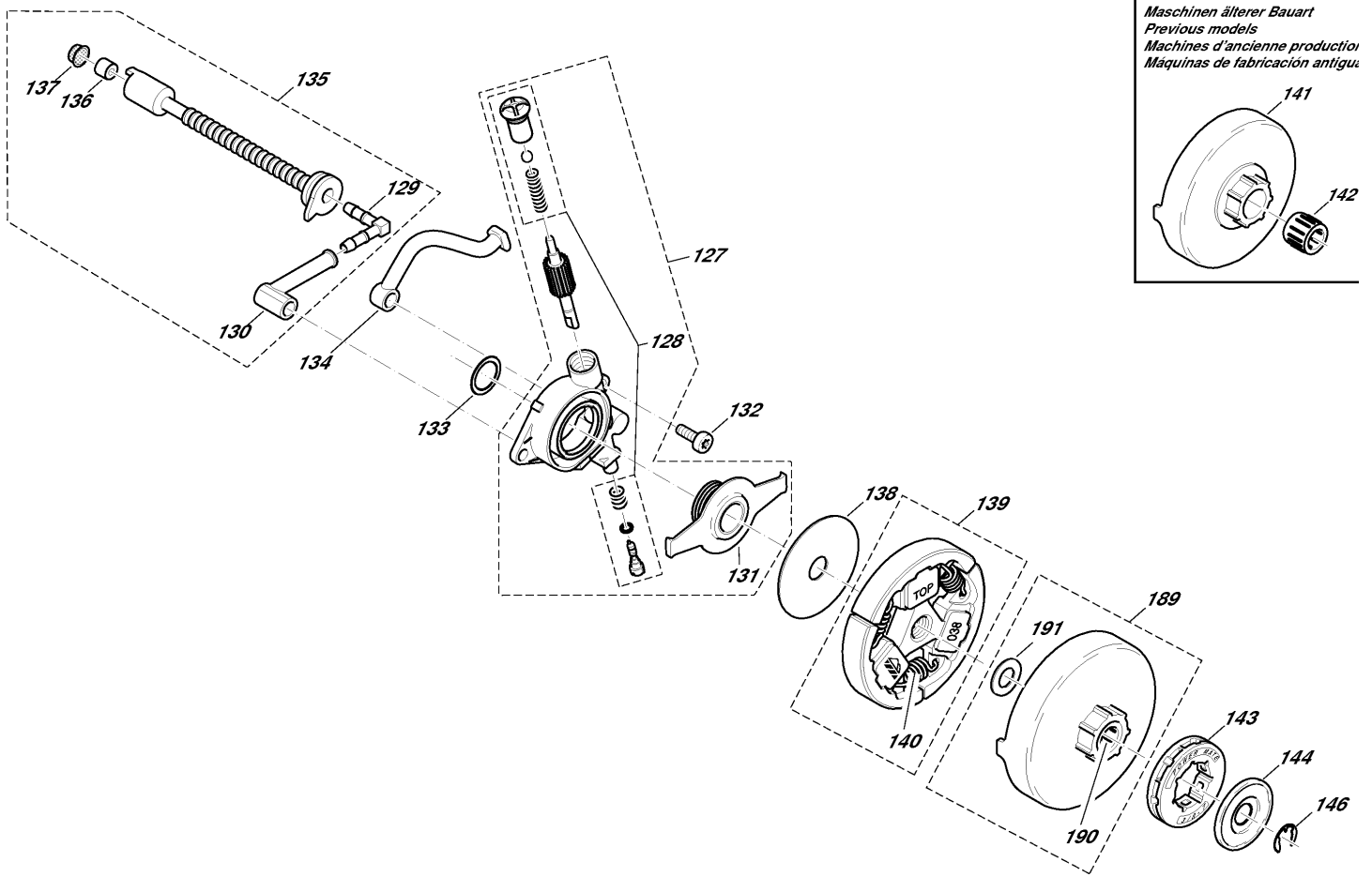


Illustration 5 Oil pump, clutch

Pos.	Qty.	Part No.	Notes	Description	Specification	TI
127	1	038245011		OIL PUMP CPL.	INC. 128,131	
128	1	030245070		REPAIR KIT CPL.		
129	1	001245140		ANGULAR NIPPLE		
130	1	038245110		OIL LINE		
131	1	038245031		PUMP DRIVE		2005-12M
132	2	908005125		SCREW	M5X12	
133	1	038224021		DISC		
134	1	038245061		OIL LINE		2006-17M
135	1	038245020		SUCTION LINE OIL CPL.	INC. 129,130,136,137	
136	1	900005066		DISTANCE RING		
137	1	963601100		SCREEN		
138	1	001182042		DISC	44,5X1X12	
139	1	038180012		CLUTCH ASSY.	INC. 140	
140	3	024184021		SPRING		
141	1	038223020		CLUTCH DRUM		2005-12M
142	1	962210024		NEEDLE CAGE	10/16X12	2005-12M
143	1	119224070		RIM SPROCKET	3/8" Z=7	
144	1	181224081		DISC		
146	1	927408000		WASHER	D=8X1,3	
189	1	957223092		CLUTCH DRUM	INC. 190,191	
190	1	962300009		NEEDLE SLEEVE	10/14X12	
191	1	038223100		SPACER WASHER	10,2/18X1,7	

Illustration 6 Chain brake

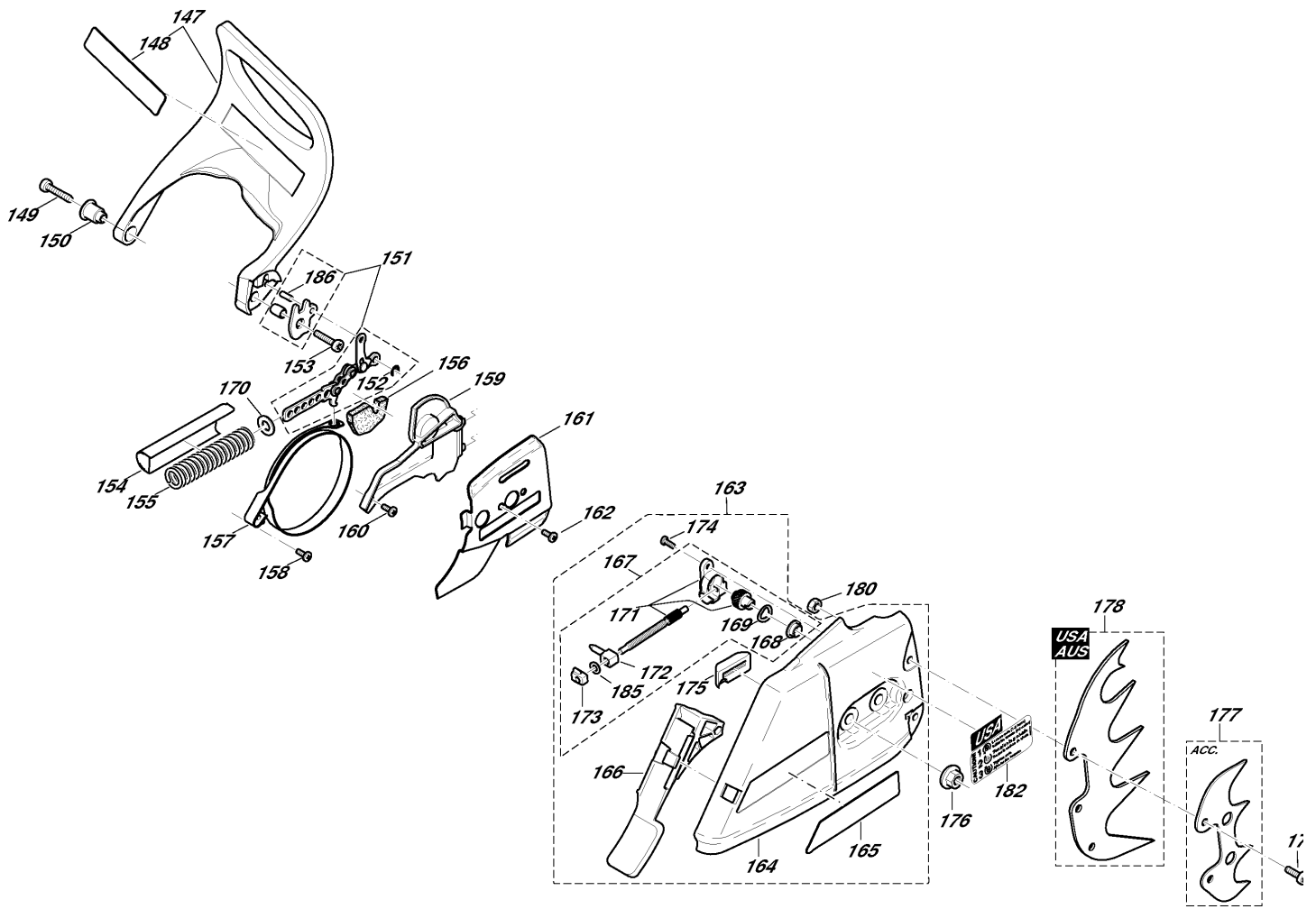


Illustration 6 Chain brake

Pos.	Qty.	Part No.	Notes	Description	Specification	TI
147	1	038213221		HAND GUARD CPL.	KAT INC. 148	
148	1	185114237		LABEL		
149	1	908405205		H.L. SOCKET HEAD BOLT	M5X20	
150	1	038213160		BUSHING		
151	1	957213030		BRAKING MECHANISM	INC. 152,186	
152	1	927304000		SAFETY WASHER		
153	1	908805205		SCREW WITH SPRING WASHER	M5X20	
154	1	038213152		POT		
155	1	038213130		SPRING		
156	1	038213200		FOAM SPONGE		
157	1	038213010		BRAKE SPRING		
158	1	915535100		SCREW	3,5X9,5	2015-03D
159	1	038213040		PLATE		
160	1	915535100		SCREW	3,5X9,5	2015-03D
161	1	038111030		GUIDE PLATE		
162	2	915535100		SCREW	3,5X9,5	2015-03D
163	1	038213641		SPROCKET GUARD CPL. BLUE	MAKITA INC. 164-167,174,175	
164	1	038213635		SPROCKET GUARD BLUE		2015-26D
165	1	980115197		LABEL	MAKITA	
166	1	038213190		CHIP GUIDE		
167	1	957213023		CHAIN TENSIONER CPL.	INC. 164-167,174,175	2003-04M
168	1	038213080		BUSHING		
169	1	038213230		SPRING WASHER		
170	1	028213012		WASHER		
171	1	957213040		TENSIONING SCREW SET		2003-04M
172	1	038213091		TENSIONING NUT		
173	1	038213070		TENSIONING SCREW BEARING		
174	1	915535100		SCREW	3,5X9,5	2015-03D
175	1	024213240		CHAIN GUIDE		
176	2	923208004		HEXAGONAL NUT	M8	
177	1	957250060	ACC.	SPIKE BAR CPL.	INC. 179,180	
178	1	038250232	USA	SPIKE BAR	USA, AUS	2014-29D
179	2	908005125		SCREW	M5X12	
180	2	920405000		HEXAGONAL NUT	M5	
185	1	924104300		WASHER	A 4,3	2005-09M
186	1	935940100		CYLINDRICAL PIN	4X10	

Illustration 7 Carburetor

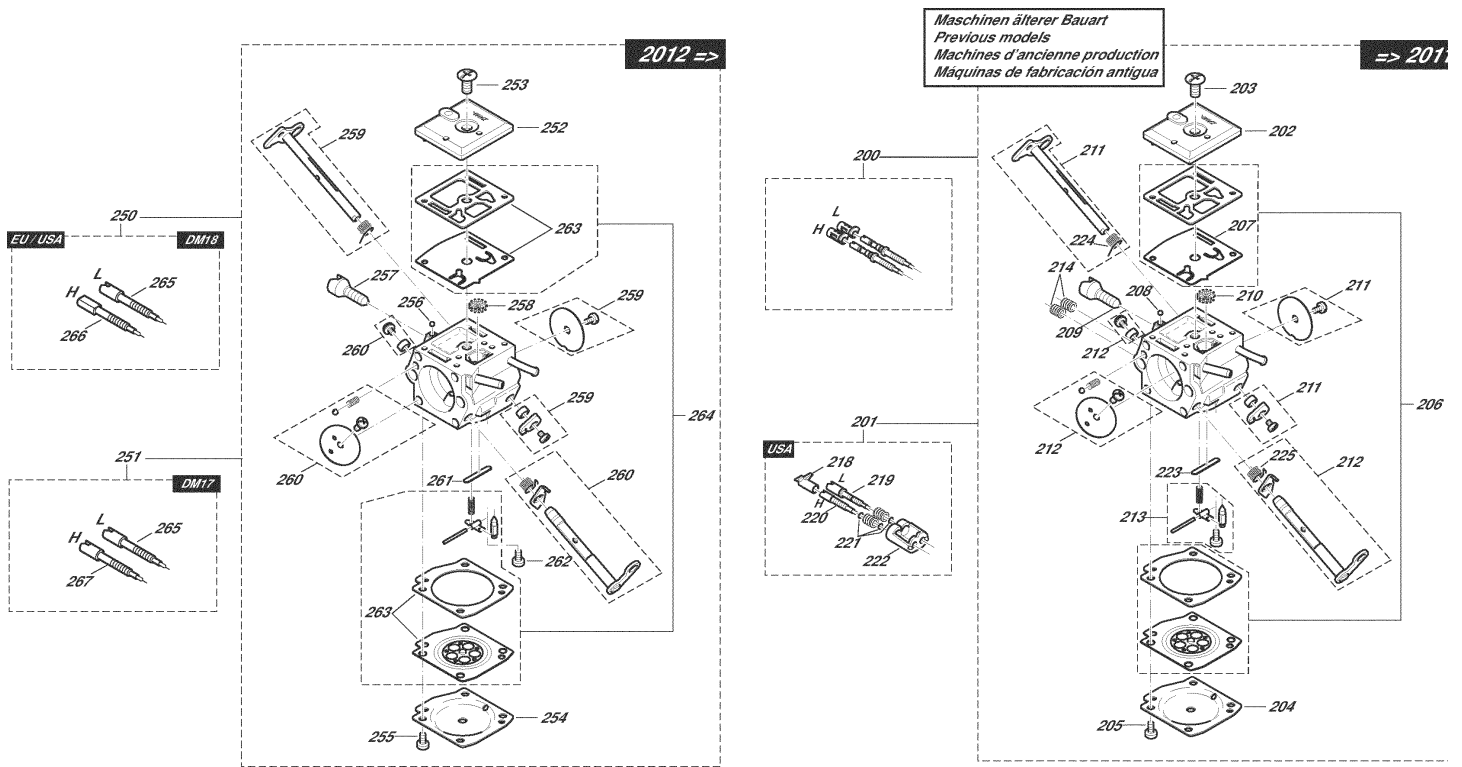


Illustration 7 Carburetor

Pos.	Qty.	Part No.	Notes	Description	Specification	TI
200	1	038153400	2004-08 =>	CARBURETOR	C3M INC.	2009-13M
200	1	038153500	=> 2004-08	CARBURETOR CPL.	29, 202-206, 208-214, C3M-USA, INC.	
201	1	038153023	USA => 2011-12	CARBURETOR	28, 202-206, 208-214, C3M-USA, INC.	2009-13M
202	1	038153030		PUMP COVER	273-225, 231-233 202-206, 208-214, 218 -225, 231-233	
203	1	038153360		SCREW		
204	1	038153040		DIAPHRAGM COVER	H (NON REGULATED MARKET)	
205	4	001153020		SCREW		
206	1	038153410		SET DIAPHRAGM / GASKETS	INC. 207	2004-08M
207	1	038153070		PUMP DIAPHRAGM TEFLON		
207	1	038153370	ACC.	PUMP DIAPHRAGM RUBBER		2004-08M
208	1	038153210		FRICTION BALL		
209	1	038153220		IDLE STOP SCREW	S	
210	1	036153040		SCREEN		
211	1	957153061		KIT THROTTLE SHAFT	INC. 224	2004-08M
212	1	957153051		KIT CHOKE SHAFT	INC. 225	2004-08M
213	1	957153100		CONTROL PARTS		
214	2	038153260		SPRING		
218	1	038153310	USA	LIMITER CAP, RED	US	
219	1	038153290	USA	IDLE ADJUSTMENT SCREW	L - USA	
220	1	038153300	USA	MAIN ADJUSTMENT SCREW	H - USA	
221	3	038153250	USA	WASHER	USA	
222	1	038153320	USA	ADJUSTING GUIDE	US	
223	1	038153350		PLUG-WELCH		
224	1	038153150		SPRING		
225	1	038153100		SPRING		
250	1	038153515	2012-01 =>	CARBURETOR WITH GUIDE	DM18/A DD - (REGULATED MARKET) EU, USA	
251	1	038153511	2012-01 =>	CARBURETOR WITH GUIDE	DM18/A DD - (REGULATED MARKET)	
252	1	038153030		PUMP COVER	INC. 252-265, 267	
253	1	038153360		SCREW		
254	1	038153540		DIAPHRAGM COVER ASSY	H DD - (REGULATED MARKET) EU, USA	
254	1	038153040		DIAPHRAGM COVER	H (NON REGULATED MARKET)	
255	4	001153020		SCREW		
256	1	038153210		FRICTION BALL		
257	1	038153220		IDLE STOP SCREW	S	
258	1	036153040		SCREEN		
259	1	038153570		KIT THROTTLE SHAFT		
260	1	038153580		KIT CHOKE SHAFT		
261	1	038153350		PLUG-WELCH		
262	1	028153200		SCREW		
263	1	038153550		SET DIAPHRAGM / GASKETS (INCL. PUMP DIAPHRAGM RUBBER+MYLAR)		
264	1	038153560		REBUILD KIT	INC. 263	
265	1	038153232		IDLE ADJUSTMENT SCREW	L	
266	1	038153301		MAIN ADJUSTMENT SCREW	H DD - (REGULATED MARKET) EU, USA	
267	1	038153242		MAIN ADJUSTMENT SCREW	H (NON REGULATED MARKET)	

Illustration 8 Special parts for version with electric handle heating

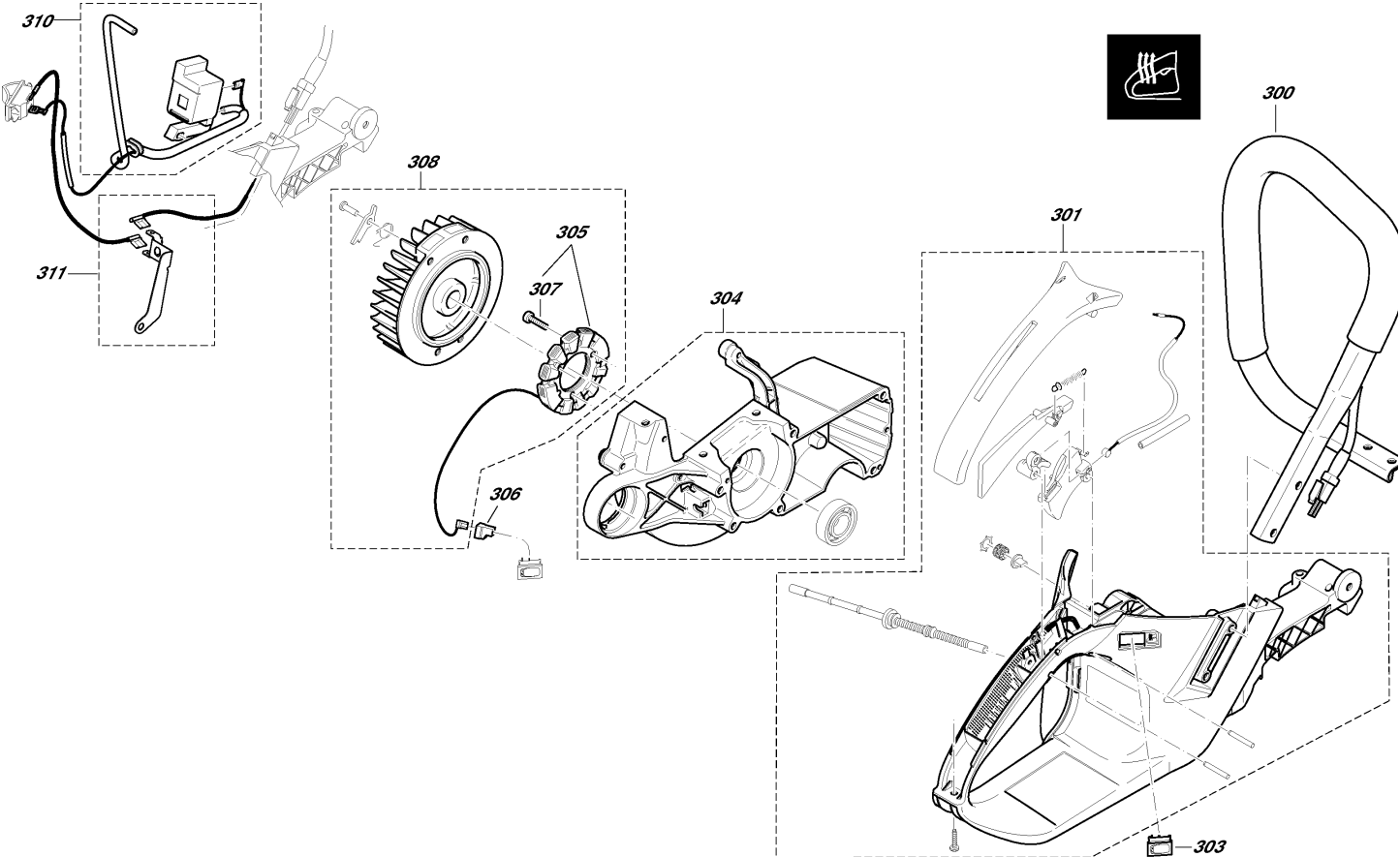


Illustration 9 Guide bars, saw chains, tools

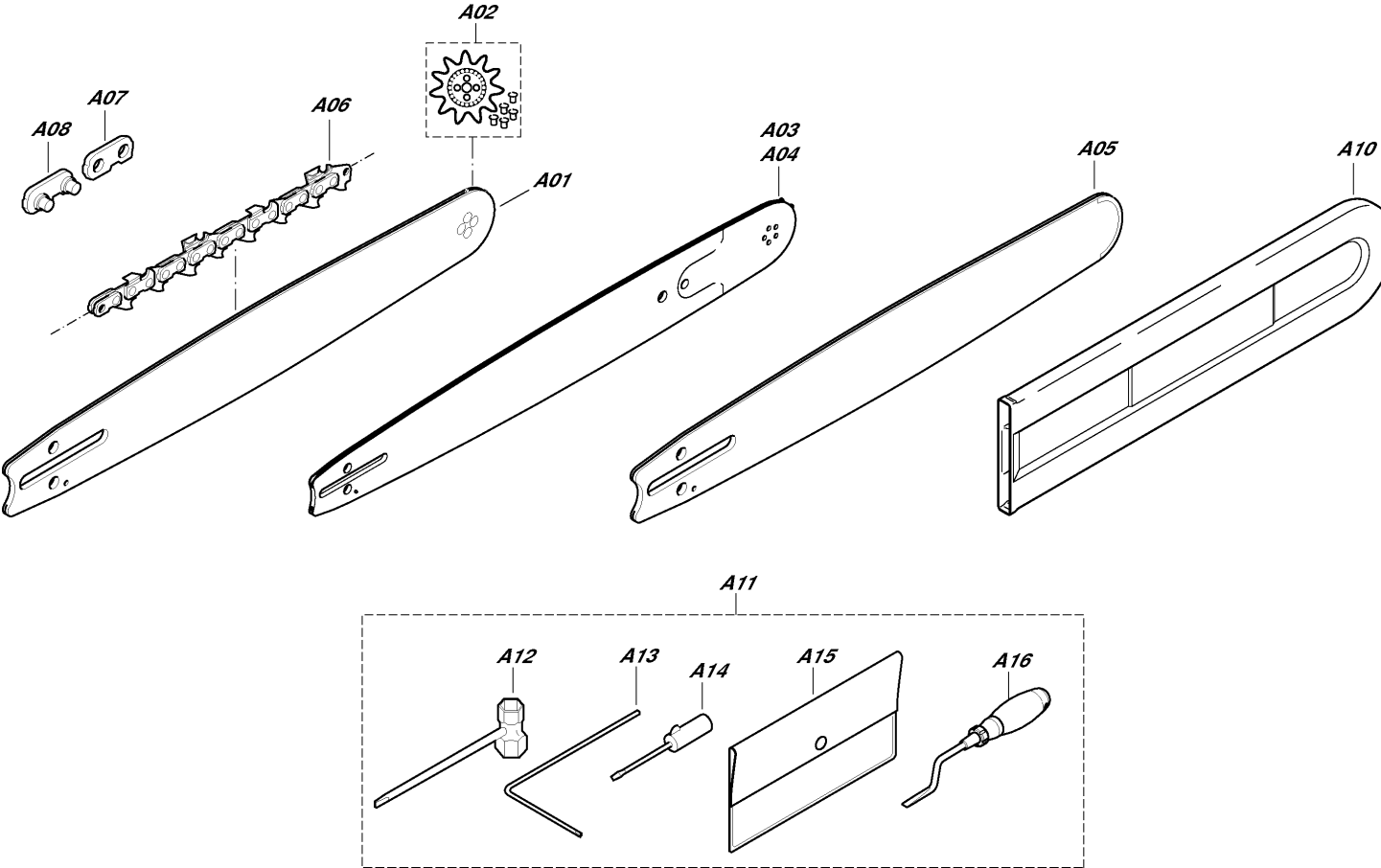


Illustration 9 Guide bars, saw chains, tools

Pos.	Qty.	Part No.	Notes	Description	Specification	TI
A01	1	445050655		SPROCKET NOSE BAR	3/8" .058" 50CM-20"	
A01	1	445035655		SPROCKET NOSE BAR	INC. A02 3/8" .058" 35CM-14"	
A01	1	445060655		SPROCKET NOSE BAR	INC. A02 3/8" .058" 60CM-24"	
A01	1	445038655		SPROCKET NOSE BAR	INC. A02 3/8" .058" 38CM-15"	
A01	1	445045655		SPROCKET NOSE BAR	INC. A02 3/8" .058" 45CM-18"	
A01	1	445050665	USA	SPROCKET NOSE BAR U.S.A.	INC. A02 3/8" .050" 50CM-20"	
A02	1	415038720		SPROCKET NOSE	INC. A02 3/8" .058"	
A03	1	445045555		SPROCKET NOSE BAR POWER MATCH	3/8" .058" 45CM-18" INC. A04	2011-31M
A04	1	465000550		SPROCKET NOSE	3/8" .058" POWER	
A05	1	445050455		SOLID NOSE BAR	MATCH NEUTRAL 3/8" .058" 50CM-20"	
A05	1	445060455	TI 2001/16	SOLID NOSE BAR	3/8" .058" 60CM-24"	
A05	1	445045455		SOLID NOSE BAR	3/8" .058" 45CM-18"	
A05	1	445070455		SOLID NOSE BAR	3/8" .058" 70CM-28"	
A06	1	528099672		SAW CHAIN	3/8" .058" 53CM-21"	
A06	1	513496672	USA	SAW CHAIN U.S.A.	3/8" .050" 50CM-20"	
A06	1	528099684	TI 2001/16	SAW CHAIN	3/8" .058" 60CM-24"	
A06	1	528099694		SAW CHAIN	3/8" .058" 70CM-28"	
A06	1	528099668		SAW CHAIN	3/8" .058" 45CM-18"	
A06	1	528099656		SAW CHAIN	3/8" .058"	
A06	1	528099660		SAW CHAIN	35/38CM-14/15 3/8" .058" 38CM-15"	
A07	1	558093000		TIE STRAP	3/8" .058"	
A08	1	558093010		TIE STRAP WITH RIVETS	3/8" .058"	
A10	1	952020650		CHAIN PROTECTION	50 CM	
A10	1	952020660		CHAIN PROTECTION	60 CM	
A10	1	952030680		CHAIN PROTECTION	80 CM	
A11	1	957004011		TOOL CPL.	INC. A12-A15	
A12	1	941719133		UNIVERSAL WRENCH	SW 13/19	
A13	1	940827000		ANGLED SCREW DRIVER	T27	
A14	1	944340001		SCREWDRIVER		
A15	1	950004002		PLASTIK BAG		
A16	1	944500795		CYLINDER FIN CLEANER		