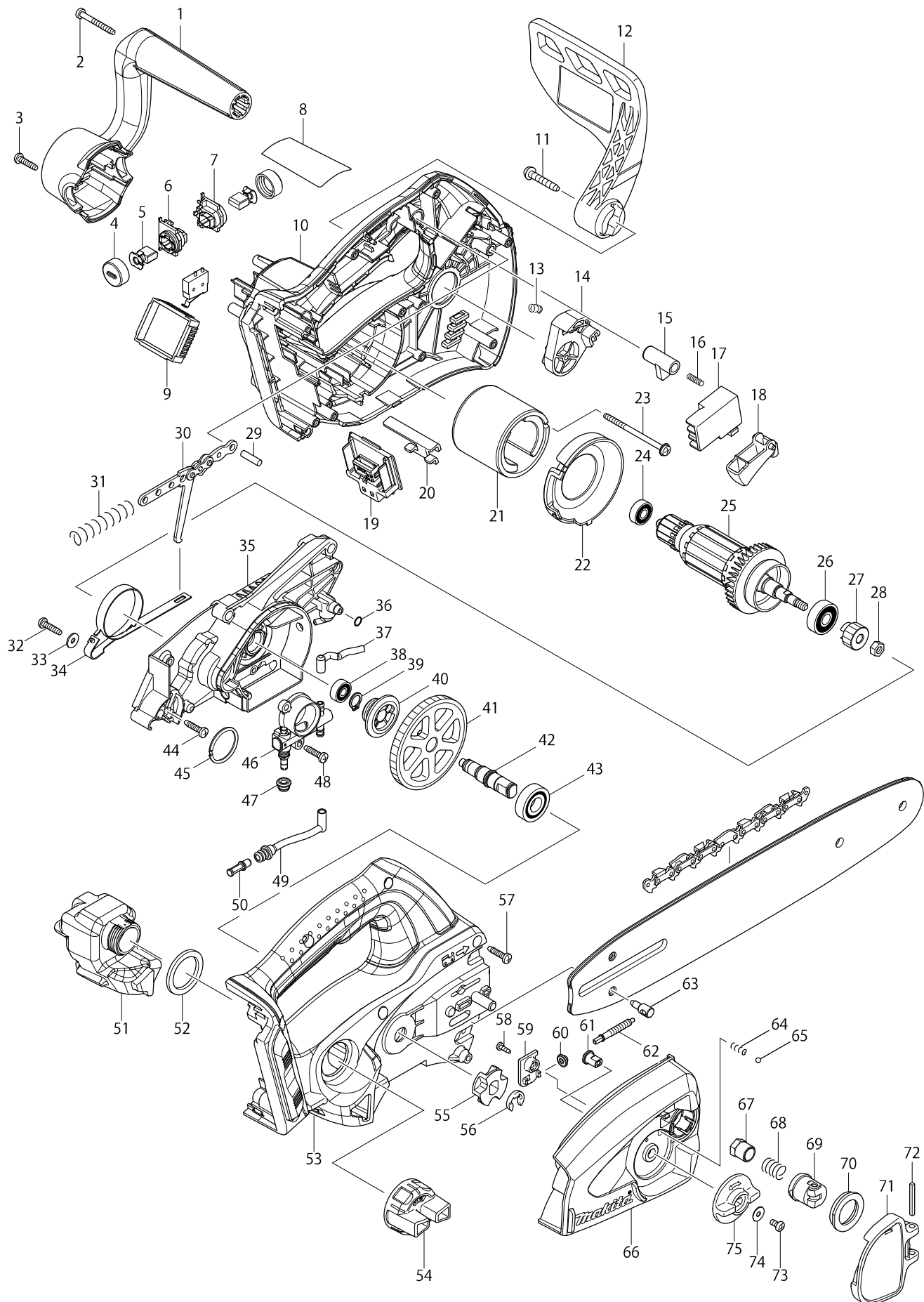


# 型號 BUC250C 250MM CORDLESS CHAIN SAW



2009/12  
BUC250C

# 型號 BUC250C 250MM CORDLESS CHAIN SAW

| 分解圖號  | 零件編號     | 品名                        | 交換 | 數量 | N/O | 選擇1 | 選擇2 | 註記 |
|-------|----------|---------------------------|----|----|-----|-----|-----|----|
| 001   | 451972-6 | FRONT HANDLE              |    | 1  |     |     |     |    |
| 002   | 266053-1 | TAPPING SCREW 4X35        |    | 1  |     |     |     |    |
| 003   | 265995-6 | TAPPING SCREW 4X18        |    | 2  |     |     |     |    |
| 004   | 643941-3 | BRUSH HOLDER CAP          |    | 2  |     |     |     |    |
| 005   | 194928-3 | CARBON BRUSH CB-442       |    | 1  |     |     |     |    |
| 006   | 643813-2 | BRUSH HOLDER              |    | 1  |     |     |     |    |
| 007   | 643853-0 | BRUSH HOLDER              |    | 1  |     |     |     |    |
| 008   | 868008-8 | BUC250 NAME PLATE         |    | 1  |     |     |     |    |
| 009   | 631971-6 | CONTROLLER                |    | 1  |     |     |     |    |
| 010   | 188910-2 | HOUSING SET               |    | 1  | *   |     |     |    |
| C10   | 263005-3 | RUBBER PIN 6              |    | 2  | *   |     |     |    |
| D10   |          | INC. 53                   |    |    | *   |     |     |    |
| 010-1 | 187378-9 | HOUSING SET               | <  | 1  |     |     |     |    |
| C10   | 263005-3 | RUBBER PIN 6              |    | 2  |     |     |     |    |
| D10   |          | INC. 53                   |    |    |     |     |     |    |
| 011   | 266173-1 | TAPPING SCREW 5X30        |    | 1  |     |     |     |    |
| 012-1 | 140534-2 | FRONT HAND GUARD COMPLETE |    | 1  | *   |     |     |    |
| C10   | 819778-2 | CAUTION LABEL             |    | 1  | *   |     |     |    |
| 012-2 | 141678-1 | FRONT HAND GUARD COMPLETE | <  | 1  |     |     |     |    |
| C10   | 800A00-4 | CAUTION LABEL             |    | 1  |     |     |     |    |
| 013   | 231298-0 | COMPRESSION SPRING 6      |    | 1  |     |     |     |    |
| 014   | 451973-4 | HAND GUARD SUPPORT        |    | 1  |     |     |     |    |
| 015   | 416178-3 | LOCK-OFF BUTTON           |    | 1  |     |     |     |    |
| 016   | 233173-6 | COMPRESSION SPRING 4      |    | 1  |     |     |     |    |
| 017   | 650631-1 | SWITCH                    |    | 1  |     |     |     |    |
| 018   | 450212-9 | SWITCH LEVER              |    | 1  |     |     |     |    |
| 019   | 643849-1 | TERMINAL                  |    | 1  |     |     |     |    |
| 020   | 346039-2 | SUPPORT PLATE             |    | 1  |     |     |     |    |
| 021   | 638571-3 | YOKE UNIT                 |    | 1  |     |     |     |    |
| 022   | 451970-0 | BAFFLE PLATE              |    | 1  |     |     |     |    |
| 023   | 266292-3 | TAPPING SCREW 4X65        |    | 2  |     |     |     |    |
| 024   | 210062-2 | BALL BEARING 607ZZ        |    | 1  |     |     |     |    |
| 025   | 519268-2 | ARMATURE ASS'Y 36V        |    | 1  |     |     |     |    |
| D10   |          | INC. 24,26                |    |    |     |     |     |    |
| 026   | 211092-6 | BALL BEARING 629DDW       |    | 1  |     |     |     |    |
| 027   | 227252-0 | SPUR GEAR 16              |    | 1  |     |     |     |    |
| 028   | 252186-8 | HEX. NUT M6               |    | 1  |     |     |     |    |
| 029   | 256123-4 | PIN 5                     |    | 1  |     |     |     |    |
| 030   | 158047-9 | LINK PLATE COMPLETE       |    | 1  |     |     |     |    |
| 031   | 233175-2 | COMPRESSION SPRING 9      |    | 1  |     |     |     |    |
| 032   | 265995-6 | TAPPING SCREW 4X18        |    | 1  |     |     |     |    |
| 033   | 267195-4 | FLAT WASHER 4             |    | 1  |     |     |     |    |
| 034   | 168321-7 | BRAKE BAND                |    | 1  |     |     |     |    |
| 035   | 140488-3 | BEARING HOUSING COMPLETE  |    | 1  |     |     |     |    |
| 036   | 213039-6 | O RING 6                  |    | 1  |     |     |     |    |
| 037   | 422058-3 | CONNECTOR                 |    | 1  |     |     |     |    |
| 038   | 210028-2 | BALL BEARING 606ZZ        |    | 1  |     |     |     |    |
| 039   | 961006-2 | RETAINING RING S-10       |    | 1  |     |     |     |    |

# 型號 BUC250C 250MM CORDLESS CHAIN SAW

| 分解圖號  | 零件編號      | 品名                         | 交換 | 數量 | N/O | 選擇1 | 選擇2 | 註記 |
|-------|-----------|----------------------------|----|----|-----|-----|-----|----|
| 040   | 221422-3  | WORM GEAR                  |    | 1  |     |     |     |    |
| 041   | 227251-2  | SPUR GEAR 73               |    | 1  |     |     |     |    |
| 042   | 325931-5  | SPINDLE                    |    | 1  |     |     |     |    |
| 043   | 210109-2  | BALL BEARING 6001DDW       |    | 1  |     |     |     |    |
| 044   | 265995-6  | TAPPING SCREW 4X18         |    | 4  |     |     |     |    |
| 045-1 | 257311-6  | RING 28                    |    | 1  |     |     |     |    |
| 046   | 168393-2  | OIL PUMP                   |    | 1  |     |     |     |    |
| 047   | 421875-8  | GROMMET                    |    | 1  |     |     |     |    |
| 048   | 265995-6  | TAPPING SCREW 4X18         |    | 2  |     |     |     |    |
| 049   | 422057-5  | CONNECTOR                  |    | 1  |     |     |     |    |
| 050   | 450437-5  | FILTER                     |    | 1  |     |     |     |    |
| 051   | 451974-2  | OIL TANK                   |    | 1  |     |     |     |    |
| 052   | 424326-0  | SPONGE SHEET               |    | 1  |     |     |     |    |
| 053   | 188910-2  | HOUSING SET                |    | 1  | *   |     |     |    |
| C10   | 263005-3  | RUBBER PIN 6               |    | 2  | *   |     |     |    |
| D10   |           | INC. 10                    |    |    | *   |     |     |    |
| 053-1 | 187378-9  | HOUSING SET                | <  | 1  |     |     |     |    |
| C10   | 263005-3  | RUBBER PIN 6               |    | 2  |     |     |     |    |
| D10   |           | INC. 10                    |    |    |     |     |     |    |
| 054   | 158810-0  | TANK CAP COMPLETE          |    | 1  |     |     |     |    |
| 055   | 221528-7  | SPROCKET 9                 |    | 1  |     |     |     |    |
| 056   | 961014-3  | STOP RING E-8              |    | 1  |     |     |     |    |
| 057   | 265995-6  | TAPPING SCREW 4X18         |    | 9  |     |     |     |    |
| 058   | 266007-8  | TAPPING SCREW BIND PT 3X10 |    | 1  |     |     |     |    |
| 059   | 419241-1  | COVER                      |    | 1  |     |     |     |    |
| 060   | 227496-2  | STRAIGHT BEVEL GEAR 14     |    | 1  |     |     |     |    |
| 061   | 227495-4  | STRAIGHT BEVEL GEAR 14     |    | 1  |     |     |     |    |
| 062   | 324620-9  | ADJUST SCREW               |    | 1  |     |     |     |    |
| 063   | 324621-7  | ADJUST PIN                 |    | 1  |     |     |     |    |
| 064   | 233033-2  | COMPRESSION SPRING 4       |    | 1  |     |     |     |    |
| 065   | 216008-6  | STEEL BALL 4               |    | 1  |     |     |     |    |
| 066   | 140486-7  | SPROCKET COVER COMPLETE    |    | 1  |     |     |     |    |
| 067   | 252168-0  | HEX. NUT M8-13             |    | 1  |     |     |     |    |
| 068   | 231025-5  | COMPRESSION SPRING 8       |    | 1  |     |     |     |    |
| 069   | 317977-5  | LEVER HOLDER               |    | 1  |     |     |     |    |
| 070   | 419271-2  | CUP WASHER 20              |    | 1  |     |     |     |    |
| 071   | 154763-1  | LEVER COMPLETE             |    | 1  |     |     |     |    |
| C10   | 816853-5  | INDICATION LABEL           |    | 1  |     |     |     |    |
| 072   | 951122-8  | SPRING PIN 4-28            |    | 1  |     |     |     |    |
| 073   | 915106-0  | BINDING HEAD SCREW M4X8    |    | 1  |     |     |     |    |
| 074   | 253874-0  | FLAT WASHER 4              |    | 1  |     |     |     |    |
| 075   | 419233-0  | DIAL 40                    |    | 1  |     |     |     |    |
| A01   | 182229-1  | OIL SUPPLY 100CC           |    | 1  |     |     |     |    |
| A02   | 168407-7  | GUIDE BAR 10               |    | 1  |     |     |     |    |
| A03   | 452093-7  | GUIDE BAR CASE             |    | 1  |     |     |     |    |
| A04   | 194098-8  | SAW CHAIN SET              |    | 1  |     |     |     |    |
| A05   | 744003-1  | FILE 4                     |    | 1  |     |     |     |    |
| A06F  | ***DC36RA | DC36RA FAST CHARGER        |    | 1  |     |     |     |    |

