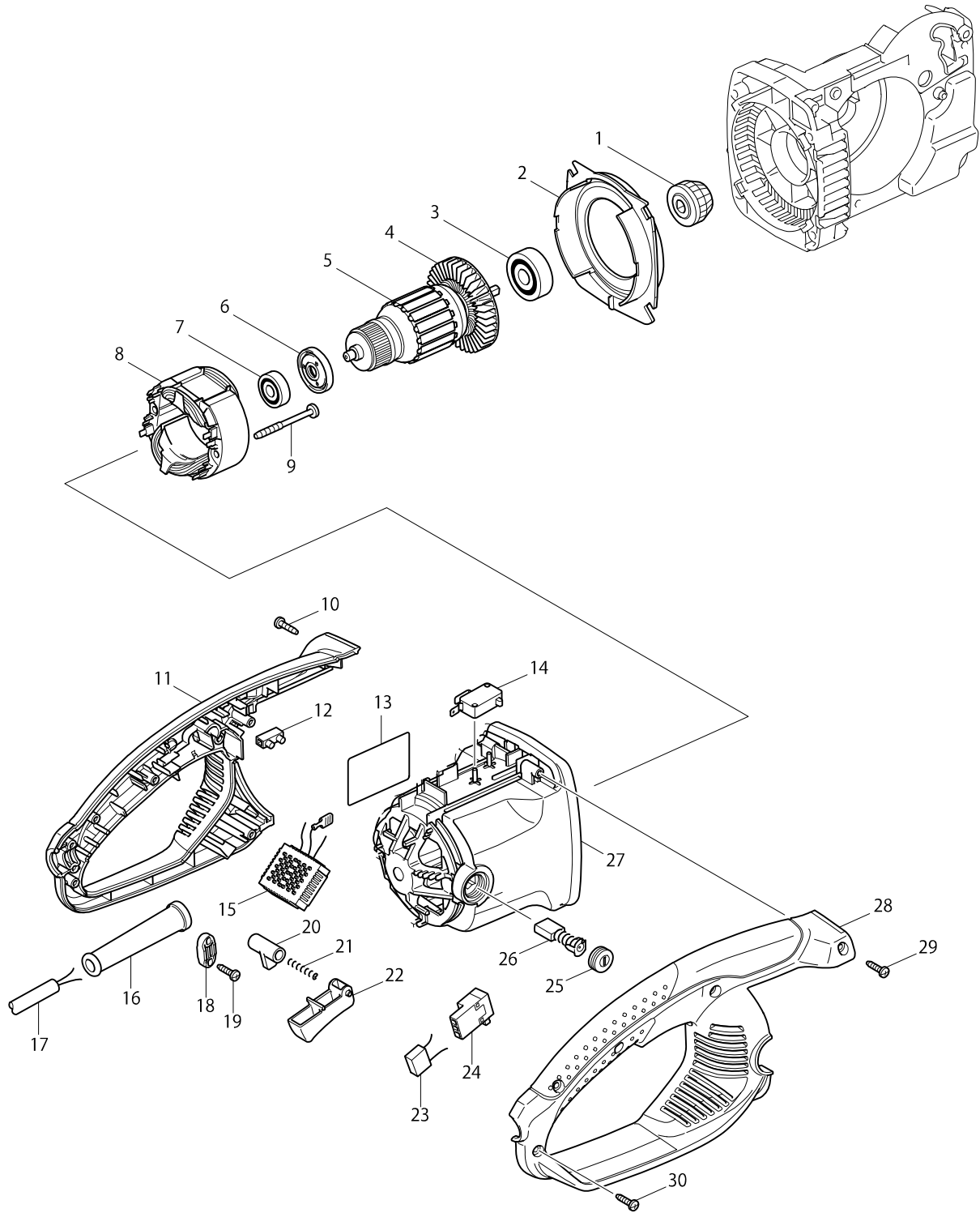
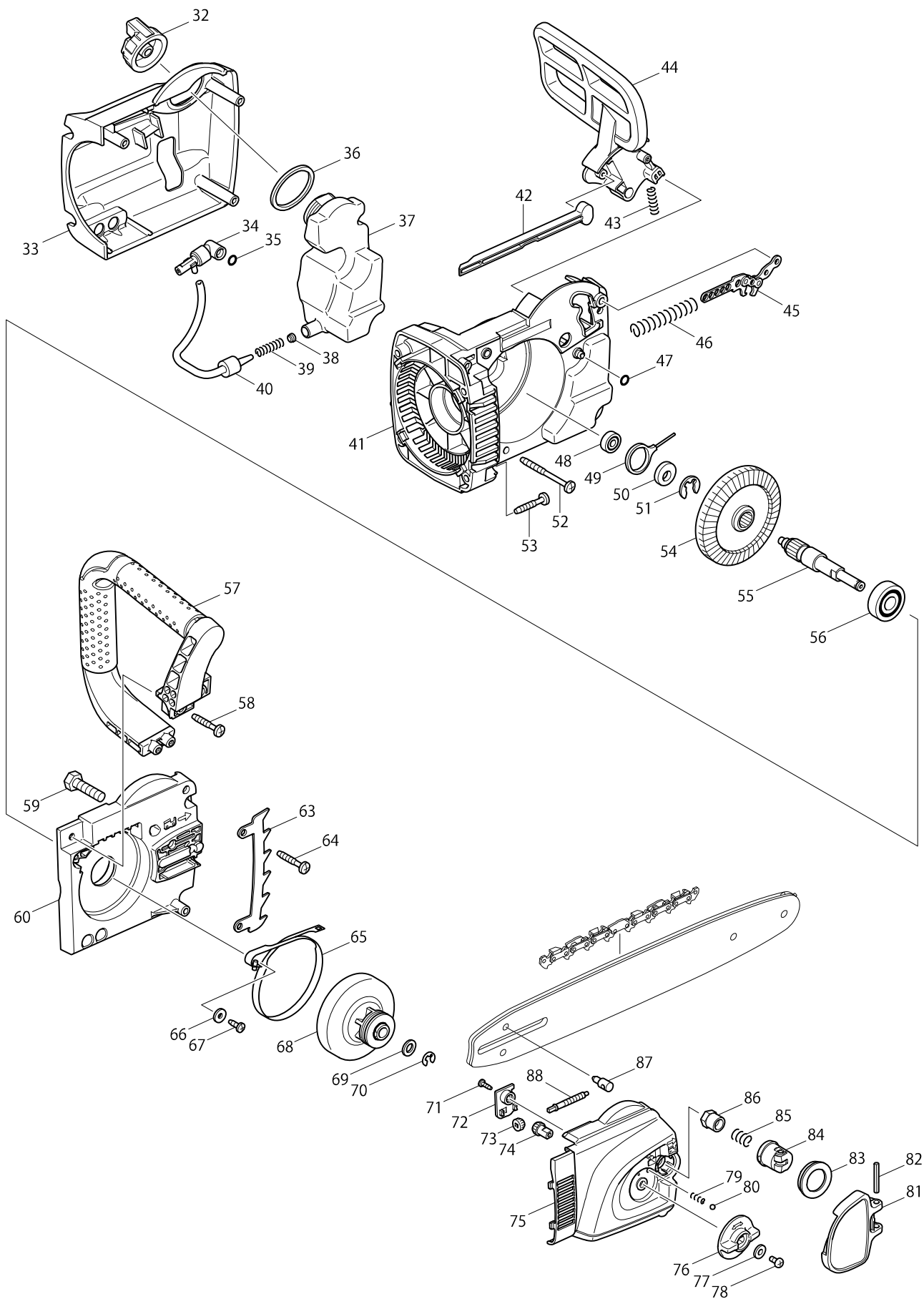


# 型號 UC3030A CHAIN SAW 300MM



# 型號 UC3030A CHAIN SAW 300MM



| 分解圖號  | 零件編號     | 品名                          | 交換 | 數量 | N/O | 選擇1 | 選擇2 | 註記 |
|-------|----------|-----------------------------|----|----|-----|-----|-----|----|
| 001   | 226743-8 | STRAIGHT BEVEL GEAR 14      |    | 1  |     |     |     |    |
| 002   | 419410-4 | BAFFLE PLATE                |    | 1  |     |     |     |    |
| 003   | 211111-8 | BALL BEARING 6301LLB        |    | 1  |     |     |     |    |
| 004   | 240001-8 | FAN 80                      |    | 1  |     |     |     |    |
| 005   | 616966-0 | ARMATURE 115V               |    | 1  |     |     |     |    |
| 006   | 681666-1 | INSULATION WASHER           |    | 1  | *   |     |     |    |
| 006-1 | 681666-1 | INSULATION WASHER           | O  | 1  |     |     |     |    |
| 007   | 210081-8 | BALL BEARING 629ZZ          |    | 1  |     |     |     |    |
| 008   | 639532-6 | FIELD 115V                  |    | 1  |     |     |     |    |
| 009   | 266095-5 | TAPPING SCREW 5X55          |    | 2  |     |     |     |    |
| 010   | 265995-6 | TAPPING SCREW 4X18          |    | 1  |     |     |     |    |
| 011   | 188818-0 | HANDLE SET                  |    | 1  |     |     |     |    |
| C10   | 810198-3 | CAUTION LABEL               |    | 1  |     |     |     |    |
| D10   |          | INC. 28                     |    |    |     |     |     |    |
| 013   | 867103-1 | UC3030A NAME PLATE          |    | 1  |     |     |     |    |
| 014   | 650577-1 | SWITCH SD-006-BB2AA-AA      |    | 1  |     |     |     |    |
| 015   | 631720-1 | CONTROLLER                  |    | 1  |     |     |     |    |
| 016   | 682575-7 | CORD GUARD 12-90            |    | 1  |     |     |     |    |
| 017   | 693574-4 | POWER SUPPLY CORD 2.0-2-5.0 |    | 1  |     |     |     |    |
| 018   | 687149-9 | STRAIN RELIEF               |    | 1  |     |     |     |    |
| 019   | 265995-6 | TAPPING SCREW 4X18          |    | 2  |     |     |     |    |
| 020   | 416178-3 | LOCK-OFF BUTTON             |    | 1  |     |     |     |    |
| 021   | 233173-6 | COMPRESSION SPRING 4        |    | 1  |     |     |     |    |
| 022   | 419411-2 | SWITCH LEVER                |    | 1  |     |     |     |    |
| 024   | 651923-1 | SWITCH TG70B                |    | 1  |     |     |     |    |
| 025   | 643650-4 | BRUSH HOLDER CAP 6.5-13.5   |    | 2  |     |     |     |    |
| 026   | 181047-4 | CARBON BRUSH CB-154         |    | 1  |     |     |     |    |
| 027   | 154867-9 | MOTOR HOUSING COMPLETE      |    | 1  |     |     |     |    |
| C10   | 643653-8 | BRUSH HOLDER 6.5-13.5       |    | 2  |     |     |     |    |
| 028   | 188818-0 | HANDLE SET                  |    | 1  |     |     |     |    |
| C10   | 810198-3 | CAUTION LABEL               |    | 1  |     |     |     |    |
| D10   |          | INC. 11                     |    |    |     |     |     |    |
| 029   | 265995-6 | TAPPING SCREW 4X18          |    | 1  |     |     |     |    |
| 030   | 265995-6 | TAPPING SCREW 4X18          |    | 5  |     |     |     |    |
| 032   | 154870-0 | TANK CAP COMPLETE           |    | 1  |     |     |     |    |
| 033   | 158049-5 | GEAR HOUSING COVER COMPLETE |    | 1  |     |     |     |    |
| C10   | 816767-8 | INDICATION LABEL            |    | 1  |     |     |     |    |
| 034   | 140089-7 | OIL PUMP COMPLETE           |    | 1  | *   |     |     |    |
| 034-1 | 142002-1 | OIL PUMP COMPLETE           | <  | 1  |     |     |     |    |
| 035   | 213039-6 | O RING 6                    |    | 1  |     |     |     |    |
| 036   | 421959-2 | SPONGE SEAL                 |    | 1  |     |     |     |    |
| 037   | 419407-3 | OIL TANK                    |    | 1  |     |     |     |    |
| 038   | 416274-7 | CAP                         |    | 1  |     |     |     |    |
| 039   | 231975-4 | SPRING                      |    | 1  |     |     |     |    |
| 040   | 421958-4 | OIL TUBE                    |    | 1  |     |     |     |    |
| 041   | 419408-1 | GEAR HOUSING                |    | 1  |     |     |     |    |
| 042   | 419413-8 | ROD                         |    | 1  |     |     |     |    |
| 043   | 233174-4 | COMPRESSION SPRING 6        |    | 1  |     |     |     |    |

| 分解圖號  | 零件編號     | 品名                         | 交換 | 數量 | N/O | 選擇1 | 選擇2 | 註記 |
|-------|----------|----------------------------|----|----|-----|-----|-----|----|
| 044   | 451130-4 | FRONT HAND GUARD           |    | 1  |     |     |     |    |
| 045   | 158044-5 | LINK PLATE COMPLETE        |    | 1  |     |     |     |    |
| 046   | 234005-0 | COMPRESSION SPRING 9       |    | 1  |     |     |     |    |
| 047   | 213039-6 | O RING 6                   |    | 1  |     |     |     |    |
| 048   | 211012-0 | BALL BEARING 606ZZ         |    | 1  |     |     |     |    |
| 049   | 450230-7 | CRANK                      |    | 1  |     |     |     |    |
| 050   | 417405-1 | CAM                        |    | 1  |     |     |     |    |
| 051   | 259034-2 | RETAINING RING E TYPE 10   |    | 1  |     |     |     |    |
| 052   | 266095-5 | TAPPING SCREW 5X55         |    | 2  | *   |     |     |    |
| 052-1 | 266044-2 | TAPPING SCREW 5X60         | S  | 2  |     |     |     |    |
| 053   | 266173-1 | TAPPING SCREW 5X30         |    | 4  |     |     |     |    |
| 054   | 226741-2 | STRAIGHT BEVEL GEAR 43     |    | 1  |     |     |     |    |
| 055   | 324662-3 | SPINDLE                    |    | 1  |     |     |     |    |
| 056   | 211107-9 | BALL BEARING 6201ZZ        |    | 1  |     |     |     |    |
| 057   | 419409-9 | FRONT HANDLE               |    | 1  | *   |     |     |    |
| 057-1 | 455487-5 | FRONT HANDLE               | S  | 1  |     |     |     |    |
| 058   | 266173-1 | TAPPING SCREW 5X30         |    | 2  |     |     |     |    |
| 059   | 921452-1 | HEX. BOLT M8X30            |    | 1  |     |     |     |    |
| 060   | 318013-0 | BEARING HOUSING            |    | 1  |     |     |     |    |
| 063   | 345651-5 | SPIKE BUMPER               |    | 1  |     |     |     |    |
| 064   | 266173-1 | TAPPING SCREW 5X30         |    | 2  |     |     |     |    |
| 065   | 168426-3 | BRAKE BAND                 |    | 1  |     |     |     |    |
| 066   | 267195-4 | FLAT WASHER 4              |    | 1  |     |     |     |    |
| 067   | 266026-4 | TAPPING SCREW BIND CT 4X12 |    | 1  |     |     |     |    |
| 068   | 125331-7 | BRAKE DRUM ASSEMBLY        |    | 1  |     |     |     |    |
| 069   | 253215-0 | FLAT WASHER 8              |    | 1  |     |     |     |    |
| 070   | 259033-4 | RETAINING RING E TYPE 6    |    | 1  |     |     |     |    |
| 071   | 266007-8 | TAPPING SCREW BIND PT 3X10 |    | 1  |     |     |     |    |
| 072   | 419241-1 | COVER                      |    | 1  |     |     |     |    |
| 073   | 227496-2 | STRAIGHT BEVEL GEAR 14     |    | 1  |     |     |     |    |
| 074   | 227495-4 | STRAIGHT BEVEL GEAR 14     |    | 1  |     |     |     |    |
| 075   | 154869-5 | SPROCKET COVER COMPLETE    |    | 1  |     |     |     |    |
| 076   | 419233-0 | DIAL 40                    |    | 1  |     |     |     |    |
| 077   | 253874-0 | FLAT WASHER 4              |    | 1  |     |     |     |    |
| 078   | 915106-0 | BINDING HEAD SCREW M4X8    |    | 1  |     |     |     |    |
| 079   | 233033-2 | COMPRESSION SPRING 4       |    | 1  |     |     |     |    |
| 080   | 216008-6 | STEEL BALL 4               |    | 1  |     |     |     |    |
| 081   | 154763-1 | LEVER COMPLETE             |    | 1  |     |     |     |    |
| 082   | 951122-8 | SPRING PIN 4-28            |    | 1  |     |     |     |    |
| 083   | 419271-2 | CUP WASHER 20              |    | 1  |     |     |     |    |
| 084   | 317977-5 | LEVER HOLDER               |    | 1  |     |     |     |    |
| 085   | 231025-5 | COMPRESSION SPRING 8       |    | 1  |     |     |     |    |
| 086   | 252168-0 | HEX. NUT M8-13             |    | 1  |     |     |     |    |
| 087   | 324621-7 | ADJUST PIN                 |    | 1  |     |     |     |    |
| 088   | 324620-9 | ADJUST SCREW               |    | 1  |     |     |     |    |
| 089   | 188858-8 | SPROCKET COVER SET         |    | 1  |     |     |     |    |
| D10   |          | INC. 71-88                 |    |    |     |     |     |    |
| 090   | 188859-6 | LEVER COMPLETE SET         |    | 1  |     |     |     |    |

