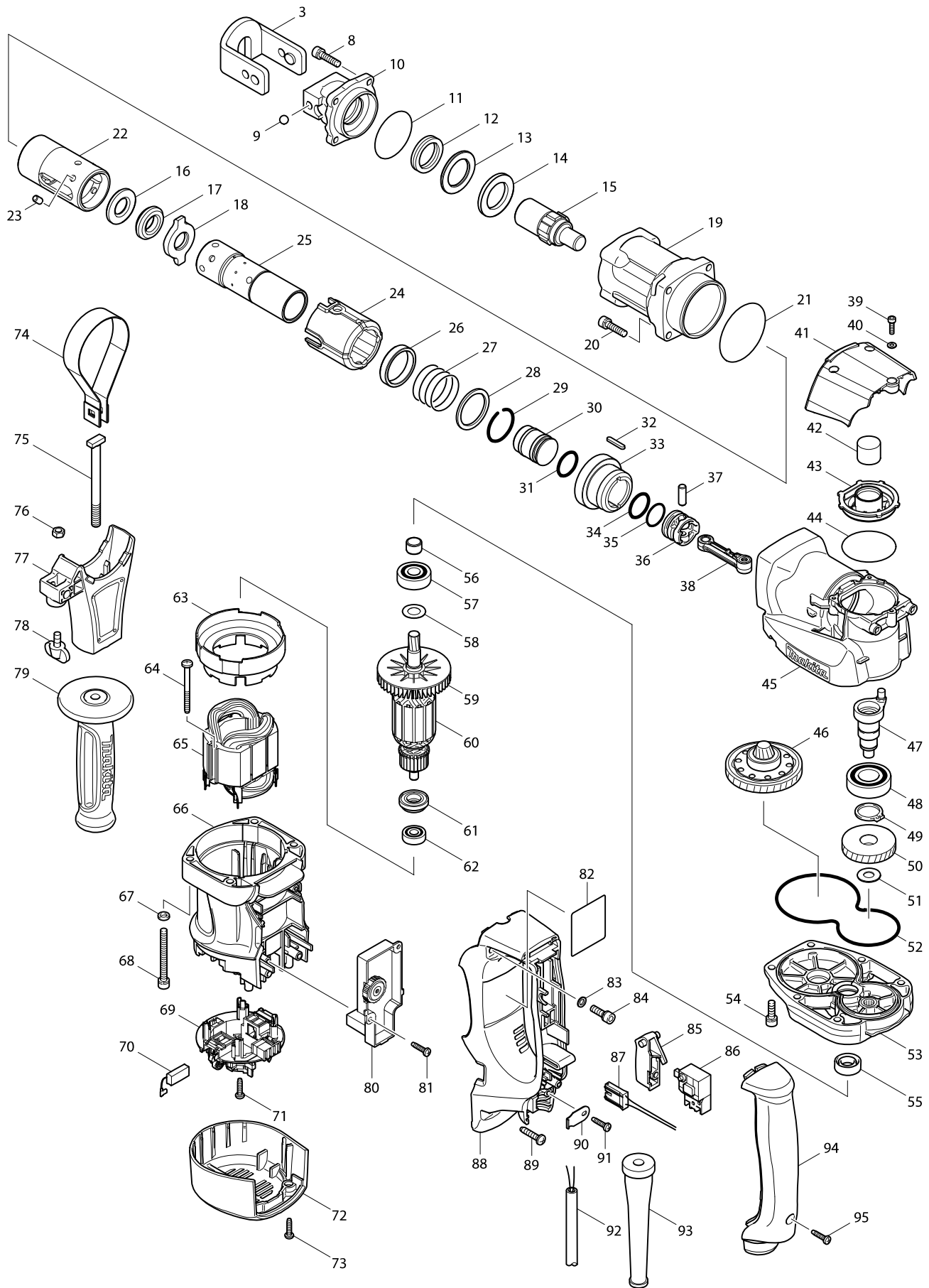


型號 HR4030C ROTARY HAMMER 40MM



型號 HR4030C ROTARY HAMMER 40MM

分解圖號	零件編號	品名	交換	數量	N/O	選擇1	選擇2	註記
003	165227-0	TOOL RETAINER		1				
008	265914-2	HEX. SOCKET HEAD BOLT M6X25		4				
009	216004-4	STEEL BALL 7.9		1				
010	324728-9	TOOL HOLDER		1				
011	213606-7	O RING 48		1				
012	213428-5	X RING 28		1				
013	261133-8	NYLON WASHER 29		1				
014	267338-8	FLAT WASHER 29		1				
015	324723-9	IMPACT BOLT		1				
016	324726-3	WASHER 17		1				
017	262119-5	RUBBER RING 18		1				
018	324724-7	SLIDE PLATE		1				
019	158117-4	BARREL COMPLETE		1				
020	266158-7	HEX. SOCKET HEAD BOLT M6X30		4				
021	213654-6	O RING 60		1				
022	331730-5	CYLINDER A		1				
023	256266-2	PIN 6		4				
024	419670-8	SLIDE SLEEVE		1				
025	331731-3	CYLINDER B		1				
026	331732-1	RING 34		1				
027	234016-5	COMPRESSION SPRING 35		1				
028	267339-6	FLAT WASHER 34		1				
029	233945-9	RING SPRING 32		1				
030	324725-5	STRIKER		1				
031	213962-5	O RING 22		1				
032	254231-5	KEY 4		2				
033	227508-1	SPIRAL BEVEL GEAR 27		1				
034	213962-5	O RING 22		1				
035	213379-2	O RING 21		1				
036	419004-5	PISTON		1				
037	256197-5	PIN 7		1				
038	419679-0	CONECTING ROD		1				
039	266148-0	HEX. SOCKET HEAD BOLT M4X14		3				
040	941052-1	FLAT WASHER 4		3				
041	419672-4	CRANK CAP COVER		1				
042	443127-7	FILTER		1				
043	419671-6	CRANK CAP		1				
044	213604-1	O RING 50		1				
045	158118-2	CRANK HOUSING COMPLETE		1				
046	125375-7	TORQUE LIMITTER ASS'Y		1				
047	324550-4	CRANK SHAFT		1				
048	211332-2	BALL BEARING 6004LLU		1				
049	961060-6	RETAINING RING S-20		1				
050	226642-4	HELICAL GEAR 38		1				
051	253180-3	FLAT WASHER 10		1				
052	421976-2	SEAL RING		1				
053	158119-0	GEAR HOUSING COMPLETE		1				
054	922331-6	HEX. SOCKET HEAD BOLT M6X20		2				

型號 HR4030C ROTARY HAMMER 40MM

分解圖號	零件編號	品名	交換	數量	N/O	選擇1	選擇2	註記
055	213231-4	OIL SEAL 15		1				
056	331596-3	SLEEVE 12		1				
057	211137-0	BALL BEARING 6201LLU		1				
058	253084-9	FLAT WASHER 12		1				
059	241863-7	FAN 70		1				
060	513691-3	ARMATURE ASS'Y 115V		1				
D10		INC. 59,61,62						
061	681650-6	INSULATION WASHER		1				
062	210005-4	BALL BEARING 608DDW		1				
063	419673-2	BAFFLE PLATE		1				
064	266095-5	TAPPING SCREW 5X55		2				
065	625756-0	FIELD 115V		1				
066	419674-0	MOTOR HOUSING		1				
067	941151-9	FLAT WASHER 6		4				
068	922381-1	HEX. SOCKET HEAD BOLT M6X60		4				
069	638501-4	BRUSH HOLDER UNIT		1				
C10	643816-6	BRUSH HOLDER		2				
C20	266007-8	TAPPING SCREW BIND PT 3X10		4				
070	194160-9	CARBON BRUSH CB-350		1	*			
070-1	197245-0	CARBON BRUSH CB-351	O	1				
071	265995-6	TAPPING SCREW 4X18		4				
072	419675-8	REAR COVER		1				
073	265995-6	TAPPING SCREW 4X18		2				
074	345763-4	GRIP SPRING 66		1				
075	266406-4	SQUARE BOLT M8X95		1	*			
075-1	266322-0	SQUARE BOLT M8X80	S	1	*			
075-2	266322-0	SQUARE BOLT M8X80	<	1				
076	931302-2	HEX. NUT M6		1				
077	419678-2	SIDE GRIP BASE 66		1	*			
077-1	450332-9	SIDE GRIP BASE 66	S	1				
078	265701-9	SCREW M6X14		1				
079	158131-0	GRIP 36 COMPLETE		1				
080	631741-3	CONTROLLER		1				
081	265995-6	TAPPING SCREW 4X18		2	*			
081-1	266300-0	TAPPING SCREW 4X18	<	2				
082	863282-3	HR4030C NAME PLATE		1				
083	941152-7	FLAT WASHER 6		2				
084	922331-6	HEX. SOCKET HEAD BOLT M6X20		2	*			
084-1	265905-3	HEX. SOCKET HEAD BOLT M6X20	<	2				
085	418549-0	SWITCH LEVER		1				
086	651922-3	SWITCH TG71B		1	*			
086-1	650677-7	SWITCH C3PA-1112	<	1	*			
086-2	651922-3	SWITCH TG71B	<	1	*			
086-3	650677-7	SWITCH C3PA-1112	<	1				
087	638509-8	LEAD UNIT		1				
088	158263-3	HANDLE COMPLETE		1				
089	266041-8	TAPPING SCREW 5X25		2				
090	687678-2	STRAIN RELIEF		1				

分解圖號	零件編號	品名	交換	數量	N/O	選擇1	選擇2	註記
091	265995-6	TAPPING SCREW 4X18		1				
092	693574-4	POWER SUPPLY CORD 2.0-2-5.0		1				
093	682561-8	CORD GUARD 11.5		1				
094	419677-4	HANDLE COVER		1				
095	265995-6	TAPPING SCREW 4X18		1				
A01	158280-3	PLASTIC CARRYING CASE COMPLETE		1	*			
C10	162202-7	LATCH		2	*			
C20	416549-4	HANDLE		1	*			
C30	416556-7	COVER		2	*			
C40	819140-1	MAKITA LOGO LABEL		1	*			
C50	810960-6	CAUTION LABEL		1	*			
A01-1	824796-7	PLASTIC CARRYING CASE	<	1				
C10	162202-7	LATCH		2				
C20	416549-4	HANDLE		1				
C30	416556-7	COVER		2				
C40	819140-1	MAKITA LOGO LABEL		1				
A02	321248-4	DEPTH GAUGE		1				
A03	805218-6	HR4030C MODEL NO.LABEL		1	*			
A04	805219-4	HR4030C PRODUCT TYPE LABEL		1				
A05	805221-7	HR4030C PLASTIC CASE LABEL		2				