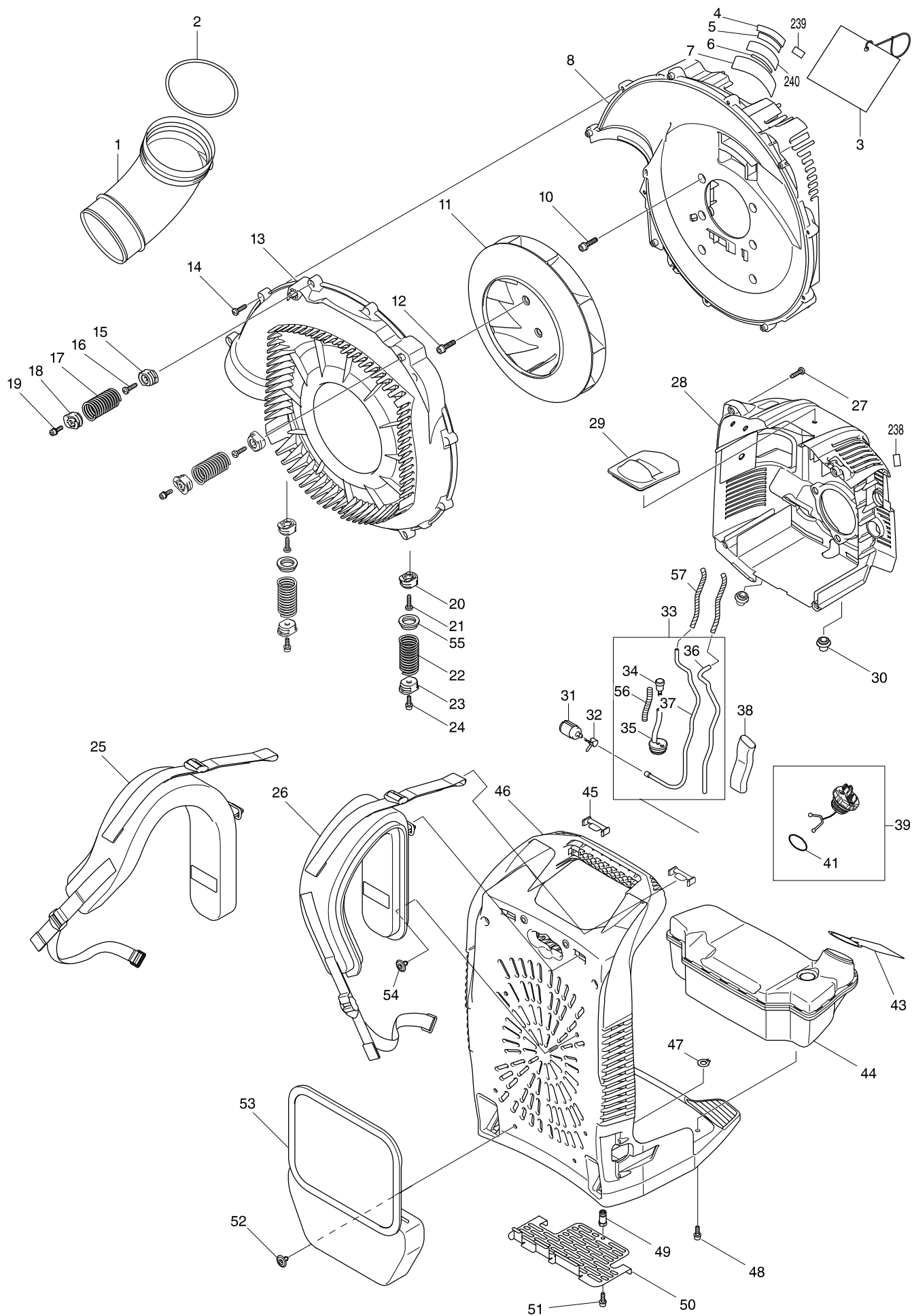
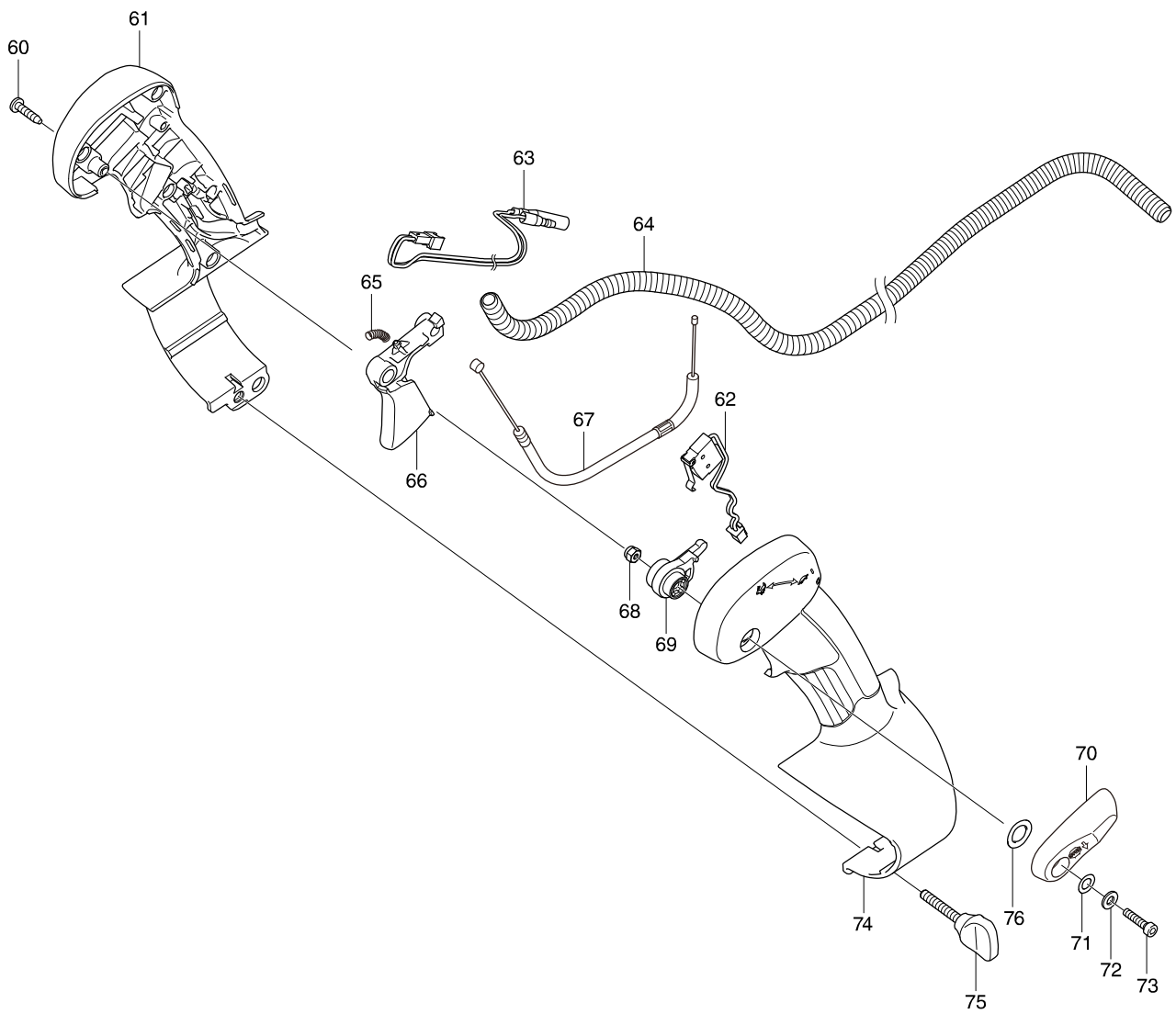


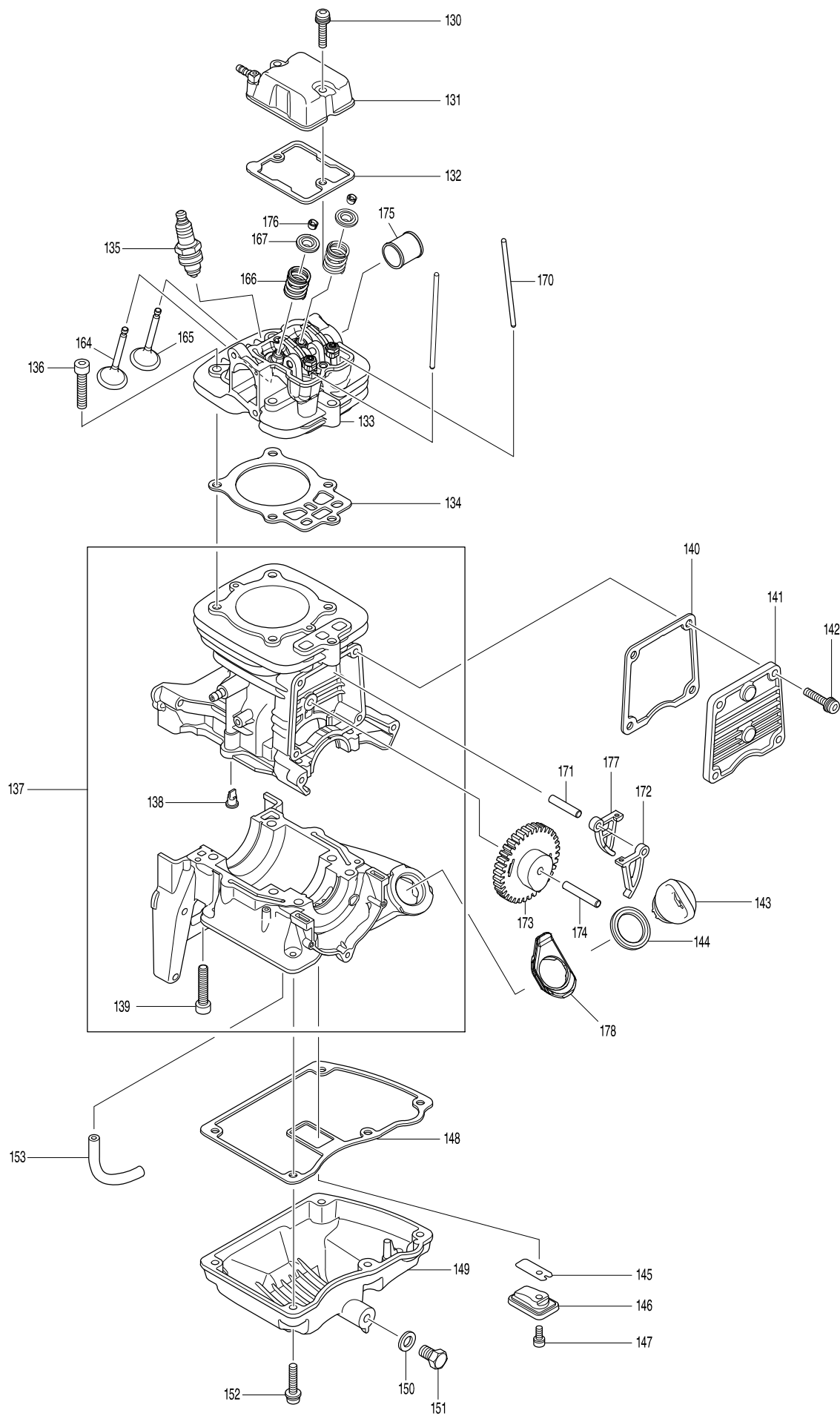
型號 EB7650TH PETROL BLOWER



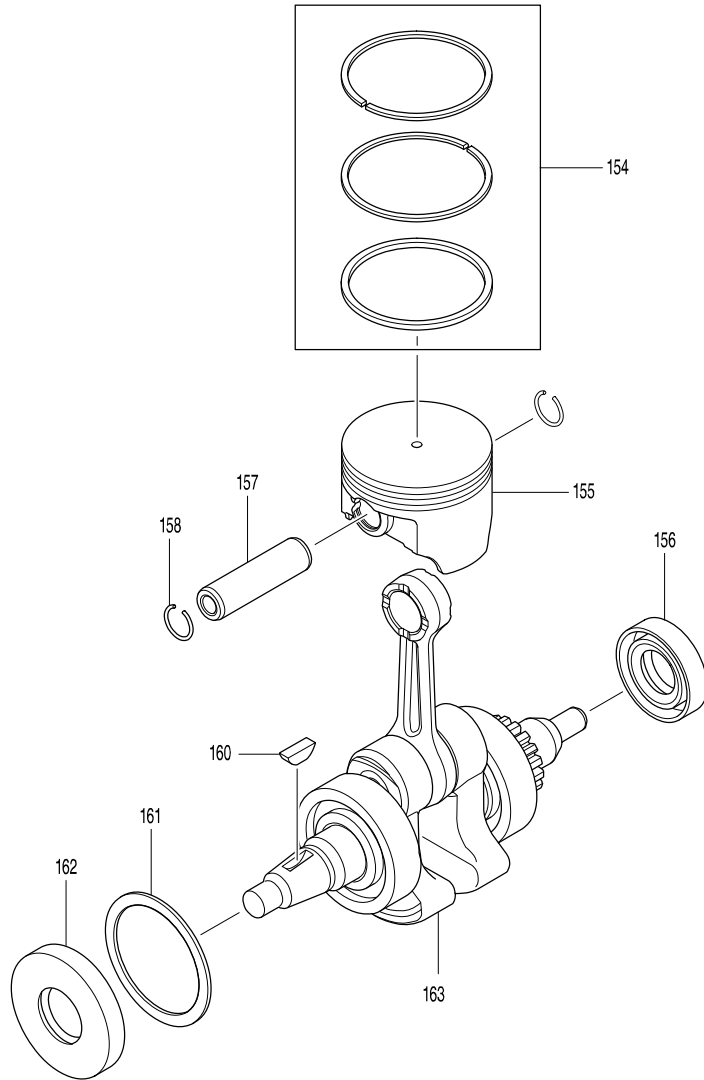
型號 EB7650TH PETROL BLOWER



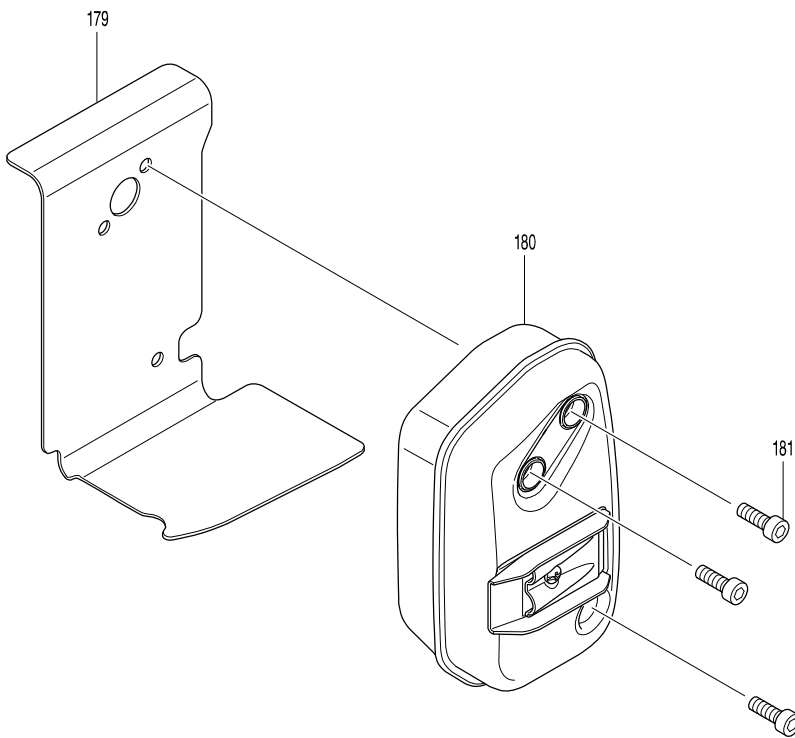
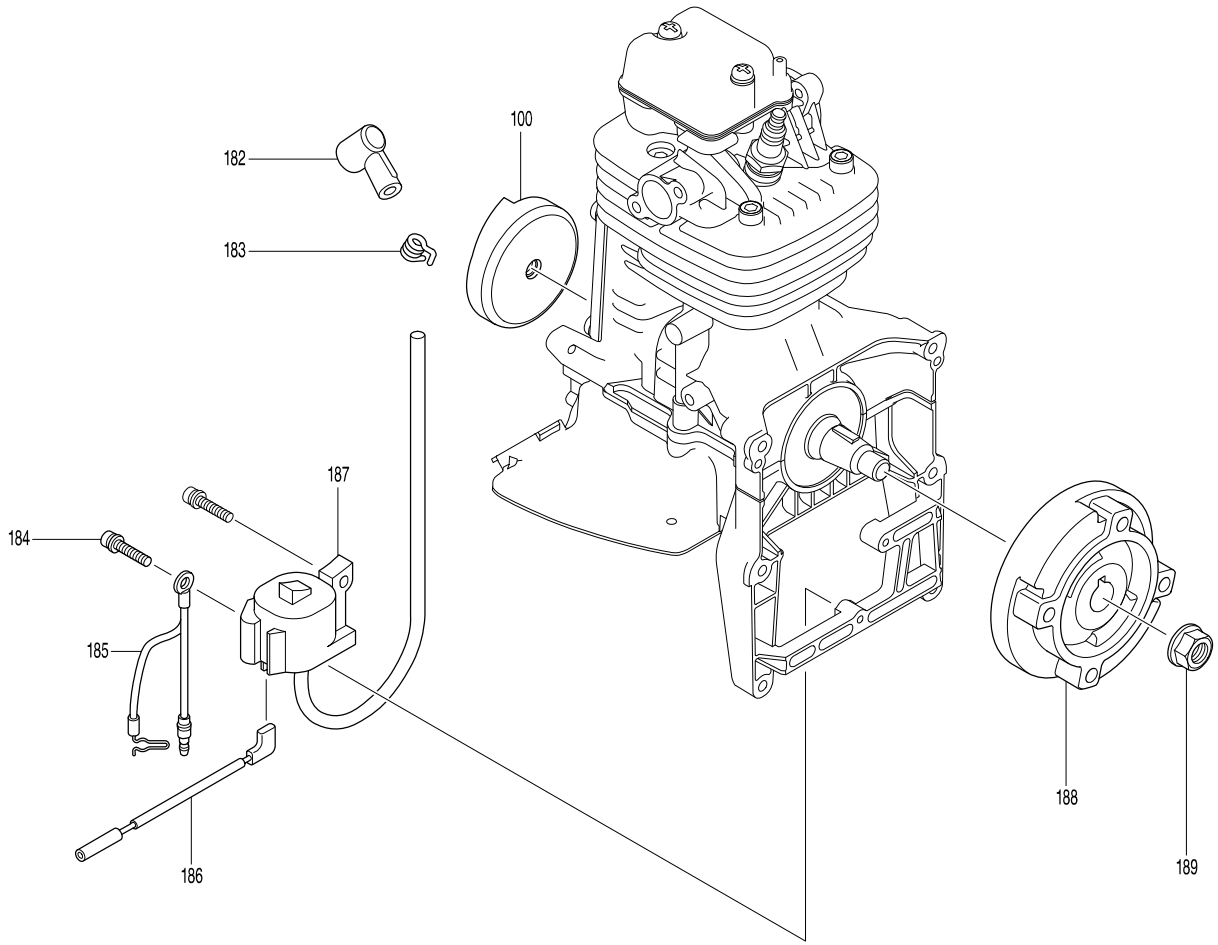
型號 EB7650TH PETROL BLOWER



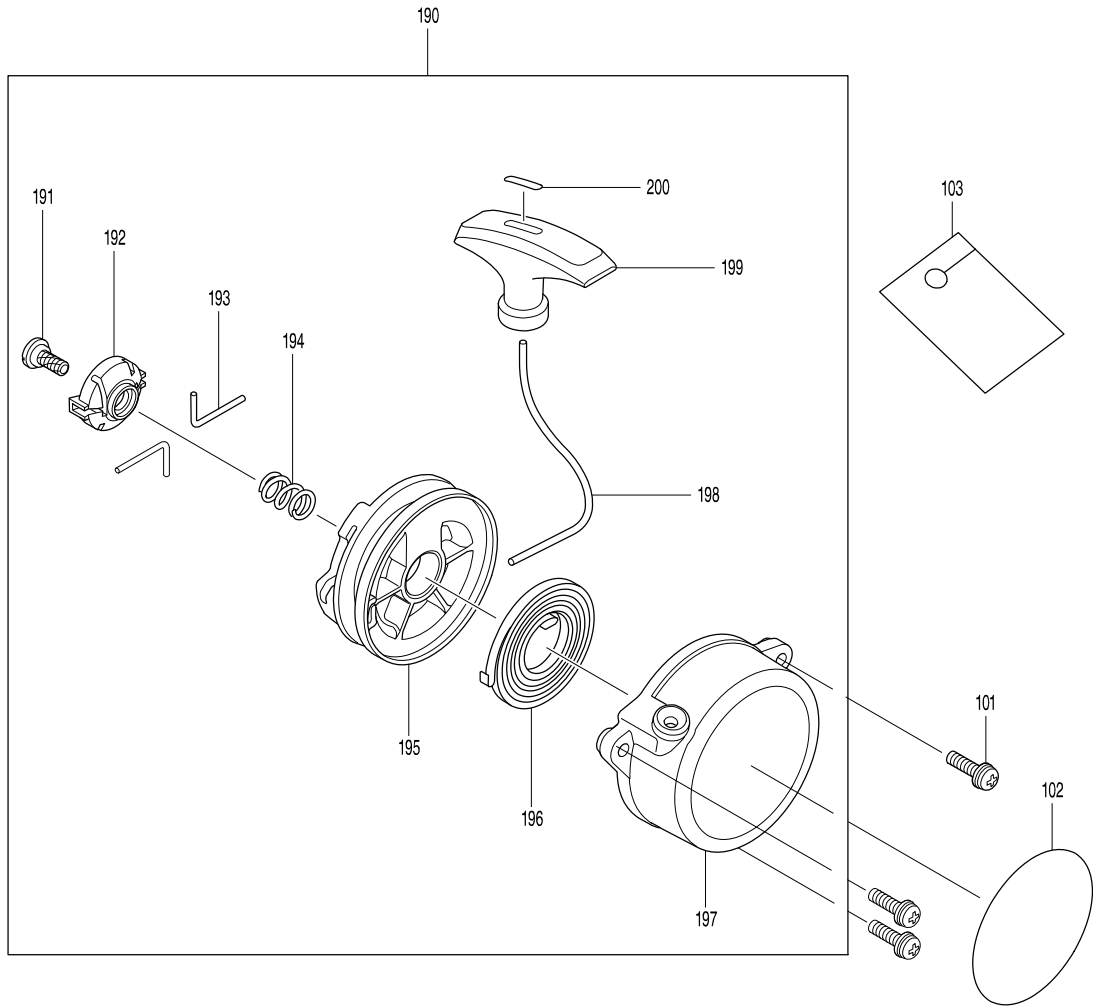
型號 EB7650TH PETROL BLOWER



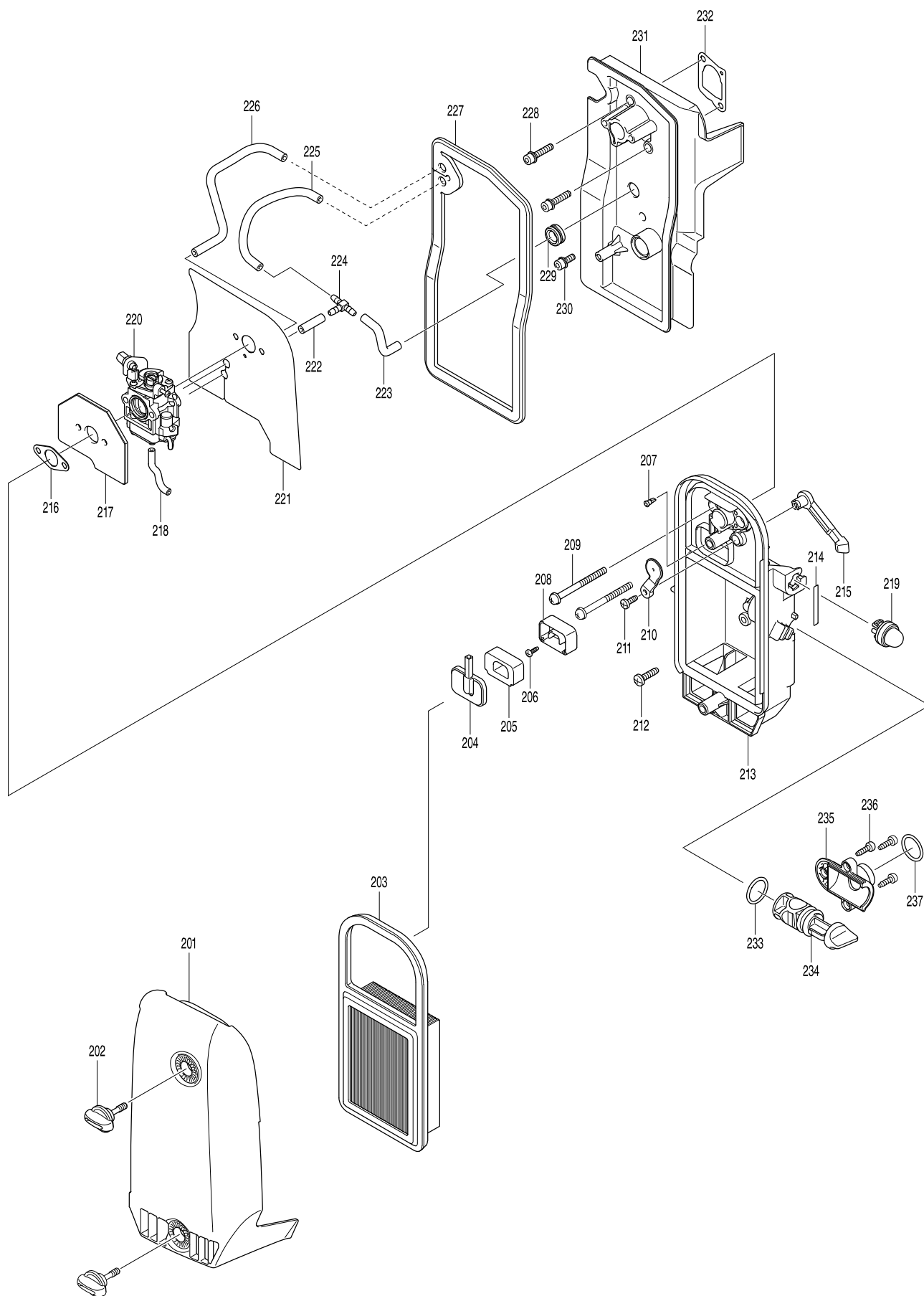
型號 EB7650TH PETROL BLOWER



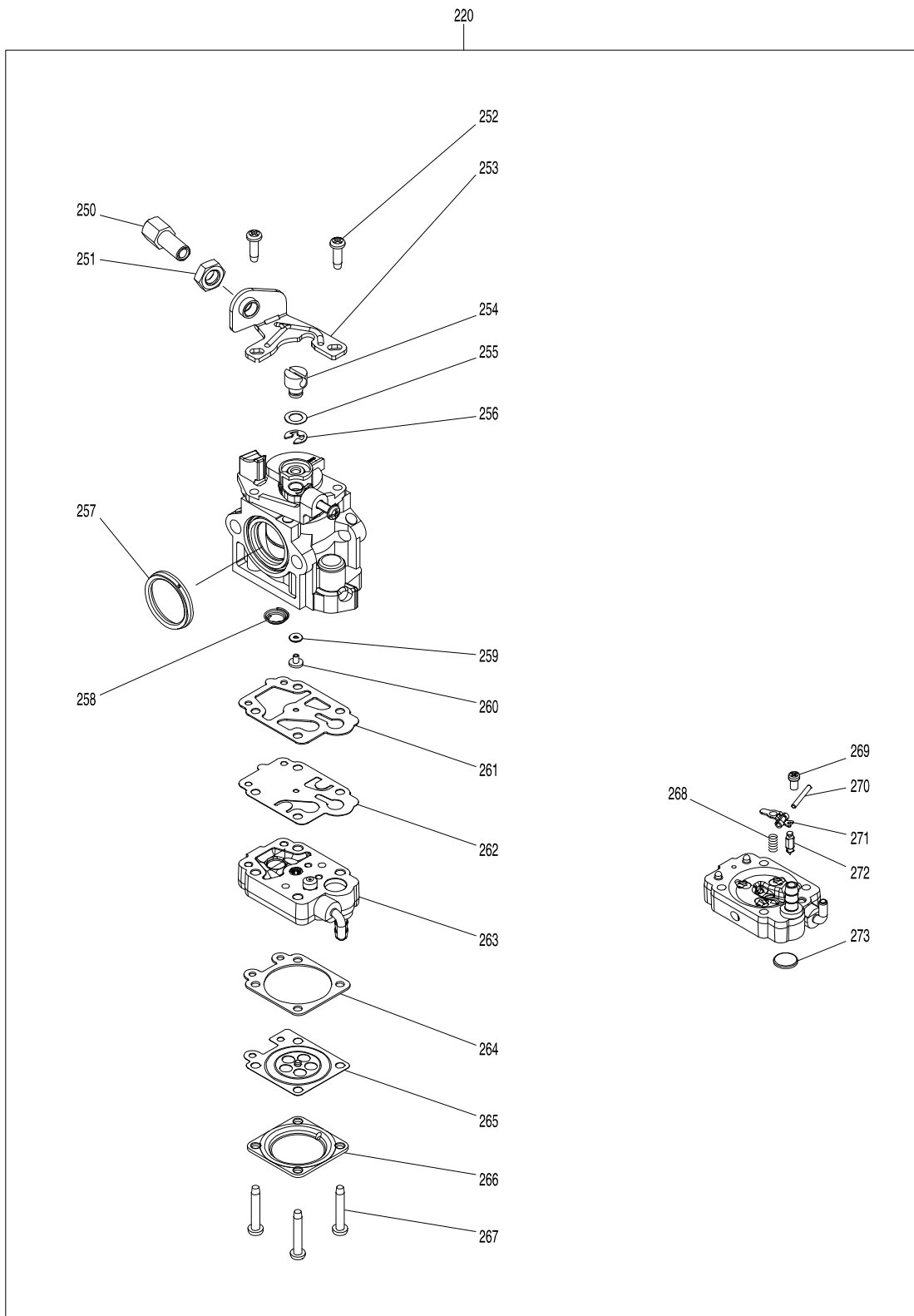
型號 EB7650TH PETROL BLOWER



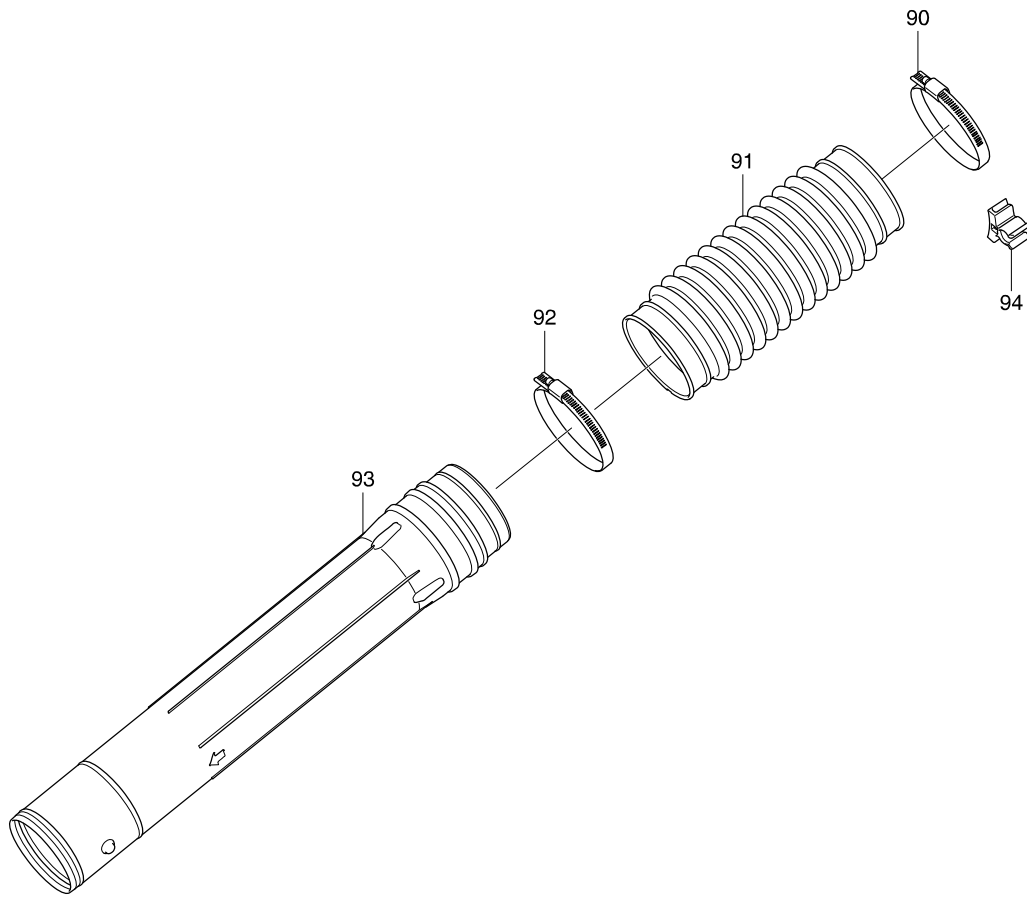
型號 EB7650TH PETROL BLOWER



型號 EB7650TH PETROL BLOWER



型號 EB7650TH PETROL BLOWER



型號 EB7650TH PETROL BLOWER

分解圖號	零件編號	品名	交換	數量	N/O	選擇1	選擇2	註記
001	412144-8	ELBOW		1				
002	213645-7	O RING 93		1				
006	814E64-6	SERIAL NO. LABEL		1				
007	803T61-7	CAUTION LABEL		1				
008	454893-1	FRONT VOLUTE CASE		1				
010	922343-9	H.S.H.BOLT M6X25 WITH WR		6				
011	240152-7	FAN 250		1				
012	922343-9	H.S.H.BOLT M6X25 WITH WR		4				
013	454892-3	REAR VOLUTE CASE		1				
014	266420-0	TAPPING SCREW 5X20		11				
015	454903-4	SPRING HOLDER A		2				
016	266420-0	TAPPING SCREW 5X20		2				
017	234324-4	COMPRESSION SPRING 22		2				
018	454904-2	SPRING HOLDER B		2				
019	922223-9	H.S.H.BOLT M5X16 WITH WR		2				
020	454903-4	SPRING HOLDER A		2				
021	266420-0	TAPPING SCREW 5X20		2				
022	234333-3	COMPRESSION SPRING 22		2				
023	454904-2	SPRING HOLDER B		2				
024	922223-9	H.S.H.BOLT M5X16 WITH WR		2				
025	166125-1	BAND L COMPLETE		1				
026	166126-9	BAND R COMPLETE		1				
027	266420-0	TAPPING SCREW 5X20		4				
028	142426-1	ENGIN COVER COMPLETE		1				
C10	898343-0	CAUTION LABEL		1				
029	424619-5	PLUG COVER		1				
030	424620-0	DAMPER		2				
031	163532-9	FILTER		1				
032	345920-4	HOSE CLAMP		1				
033	126586-7	TUBE ASSEMBLY		1				
D10		INC. 34-37,56						
034	168396-6	BREATHER		1				
035	424505-0	GROMMET		1				
036	412120-2	FUEL TUBE 3-370		1				
037	412114-7	FUEL TUBE 3-370		1				
038	422137-7	TUBE GUARD 20-102		1				
039	140831-6	TANK CAP COMPLETE		1				
D10		INC. 41						
041	213080-9	O RING 29.5		1	*			
041-1	213831-0	O-RING 29.5	<	1				
043	898428-2	CAUTION PLATE		1				
044	142427-9	FUEL TANK COMPLETE		1				
045	454905-0	BAND HOLDER		2				
046	454894-9	FRAME		1				
047	961005-4	RETAINING RING S-9		1				
048	922223-9	H.S.H.BOLT M5X16 WITH WR		2				
049	264098-3	HEX NUT M5-10		1				
050	346771-8	GUARD		1				

型號 EB7650TH PETROL BLOWER

分解圖號	零件編號	品名	交換	數量	N/O	選擇1	選擇2	註記
051	922223-9	H.S.H.BOLT M5X16 WITH WR		1				
052	6672500300	ROCK RIVET		4				
053	166127-7	CUSHION		1				
054	6672500300	ROCK RIVET		2				
055	424678-9	RUBBER RING 25		2				
056	326356-6	COIL SPRING 8		1				
057	454425-4	SPIRAL TUBE 6-100		2				
060	266326-2	TAPPING SCREW 4X18		5				
061	187804-8	LEVER CASE SET		1				
D10		INC. 74						
062	638642-6	SWITCH UNIT		1				
063	632C07-2	LEAD UNIT		1				
064	455191-6	CORRUGATE TUBE		1				
065	231469-9	COMPRESSION SPRING 4		1				
066	454899-9	THROTTLE LEVER A		1				
067	168843-7	CONTROL CABLE		1				
068	252126-6	HEX. LOCKING NUT M4-7		1				
069	454924-6	THROTTLE LINK		1				
070	454900-0	THROTTLE LEVER B		1				
071	253903-9	WAVE WASHER 6		1				
072	267010-2	FLAT WASHER 5		1				
073	922132-2	HEX. SOCKET HEAD BOLT M4X18		1				
074	187804-8	LEVER CASE SET		1				
D10		INC. 61						
075	265762-9	THUMB SCREW M5X30		1				
076	253052-2	FLAT WASHER 12		1				
090	282025-8	HOSE CLAMP 100		1				
091	454934-3	FLEXIBLE PIPE		1				
092	282025-8	HOSE CLAMP 100		1				
093	168832-2	SWIVEL PIPE COMPLETE		1				
094	454922-0	CABLE HOLDER		1				
100	5975500000	PULLEY		1				
101	911233-1	PAN HEAD SCREW M5X20		3				
102	803T55-2	EB7650TH MODEL NO. LABEL		1				
103	819432-8	CAUTION TAG		1				
130	266789-2	H.S.H.BOLT M5X30 WITH WR		2	*			
130-1	922253-0	H.S.H.BOLT M5X30 WITH WR	O	2				
131	141771-1	ROCKER COVER COMPLETE		1				
132	5971500900	ROCKER COVER GASKET		1				
133	142771-4	CYLINDER HEAD COMPLETE		1				
C10	264024-2	HEX. NUT M5		1				
C20	266728-2	ADJUSTING SCREW		1				
134	442167-2	CYLINDER HEAD GASKET		1				
135	168401-9	SPARK PLUG		1				
136	266586-6	H.S.H.BOLT M6X35		5				
137	135631-7	CYLINDER BLOCK ASSEMBLY		1				
D10		INC. 138,139						
138	424201-0	CHECK VALVE		2				

型號 EB7650TH PETROL BLOWER

分解圖號	零件編號	品名	交換	數量	N/O	選擇1	選擇2	註記
139	922352-8	HEX. SOCKET HEAD BOLT M6X30		6				
140	442168-0	CAM GEAR GASKET		1				
141	318725-5	CAM GEAR COVER		1				
142	266813-1	H.S.H.BOLT M5X16 WITH WR		4				
143	452047-4	OIL CAP		1				
144	424343-0	GASKET		1				
145	346083-9	LEAD VALVE		1				
146	5931501300	RETAINER PLATE		1				
147	0119049980	SOCKET HEAD BOLT M4X10		1	*			
147-1	922112-8	HEX. SOCKET HEAD BOLT M4X10	O	1				
148	5976500100	OIL CASE GASKET		1				
149	319008-6	OIL CASE		1				
150	346452-4	GASKET		1				
151	266916-1	HEX. BOLT M8X12		1				
152	0119059390	SOCKET HEAD BOLT M5X25		5	*			
152-1	922243-3	HEX. SOCKET HEAD BOLT M5X25	O	5				
153	0851109960	TUBE		1				
154	197040-8	PISTON RING SET		1				
155	318726-3	PISTON		1				
156	213599-8	OIL SEAL 17		1				
157	326039-8	PISTON PIN		1				
158	233995-4	RING SPRING 12		2				
160	254001-2	WOODRUFF KEY 4		1				
161	267448-1	FLAT WASHER 41		1				
162	213598-0	OIL SEAL(L)		1				
163	143043-0	CRANK SHAFT COMPLETE		1				
164	331964-0	INTAKE VALVE		1				
165	331965-8	EXHAUST VALVE		1				
166	234212-5	COMPRESSION SPRING 11		2				
167	331966-6	RETAINER		2				
170	256526-2	PUSH ROD		2				
171	256186-0	PIN 5		1				
172	313266-6	CAM LIFTER L		1				
173	5973002002	CAMGEAR ASSY		1				
174	256200-2	PIN 5		1				
175	331937-3	EXHAUST PORT SPACER		1				
176	331967-4	COTTER		4				
177	313267-4	CAM LIFTER R		1				
178	424621-8	OIL GUARD		1				
179	346772-6	MUFFLER GASKET		1				
180	5973001003	MUFFLER EXHAUST		1				
181	266771-1	SOCKET HEAD BOLT M6X18		3				
182	424105-6	PLUG CAP		1				
183	324891-8	PLUG CAP SPRING		1				
184	0119049970	SOCKET HEAD BOLT M4X20		2				
185	632C08-0	LEAD UNIT		1				
186	638710-5	LEAD WIRE		1				
187	5977001010	IGNITION COIL		1				

型號 EB7650TH PETROL BLOWER

分解圖號	零件編號	品名	交換	數量	N/O	選擇1	選擇2	註記
188	5977001020	FLYWHEEL COMPL		1				
189	264054-3	FLANGE NUT M10		1				
190	126165-1	RECOIL		1				
D10		INC. 191-200						
191	266585-8	TAPPING SCREW 5X12		1				
192	424516-5	COLLAR		1				
193	326200-7	SWING ARM		2				
194	234257-3	FRICTION SPRING		1				
195	441075-4	REEL		1				
196	232262-4	SPIRAL SPRING		1				
197	141649-8	STARTER CASE COMPLETE		1				
198	444043-6	STARTER ROPE		1				
199	424361-8	STARTER KNOB		1				
200	424360-0	ROPE STOPPER		1				
201	454914-9	AIR CLEANER COVER		1				
202	265799-6	THUMB SCREW M5X20		2				
203	412145-6	AIR CLEANER ELEMENT		1				
204	162346-3	SEPARATOR PLATE		1				
205	352020-3	SEPARATOR MESH		1				
206	266007-8	TAPPING SCREW BIND PT 3X10		1				
207	424316-3	CHECK VALVE		1				
208	453865-3	SEPARATOR CASE		1				
209	911283-6	PAN HEAD SCREW M5X60		2				
210	454910-7	CHOKE PLATE		1				
211	266192-7	TAPPING SCREW 4X14		1				
212	266420-0	TAPPING SCREW 5X20		1				
213	454913-1	AIR CLEANER CASE		1				
214	815N78-2	SERIAL NO. LABEL		1				
215	454902-6	CHOKE LEVER		1				
216	5233504200	CARBURETOR GASKET		1				
217	346770-0	PLATE 31		1				
218	412112-1	TUBE 3-60		1				
219	168398-2	PRIMER PUMP		1				
220	168859-2	CARBURETOR		1				
D10		INC. 250-273						
221	442206-8	CARBURETOR GASKET		1				
222	422096-5	TUBE 3-25		1				
223	422127-0	TUBE 3-55		1				
224	452952-5	HOSE JOINT		1				
225	412121-0	TUBE 3-130		1				
226	422126-2	TUBE 3-160		1				
227	424622-6	INSULATOR SEAL		1				
228	266749-4	HEX. S.H.B. M5X25 WITH WR		2				
229	424623-4	GROMMET		1				
230	0119059490	SOCKET HEAD BOLT M5X14 (W,SW)		1				
231	142926-1	INSULATOR COMPLETE		1				
232	162333-2	INSULATOR GASKET		1				
233	213304-3	O RING 20		1				

