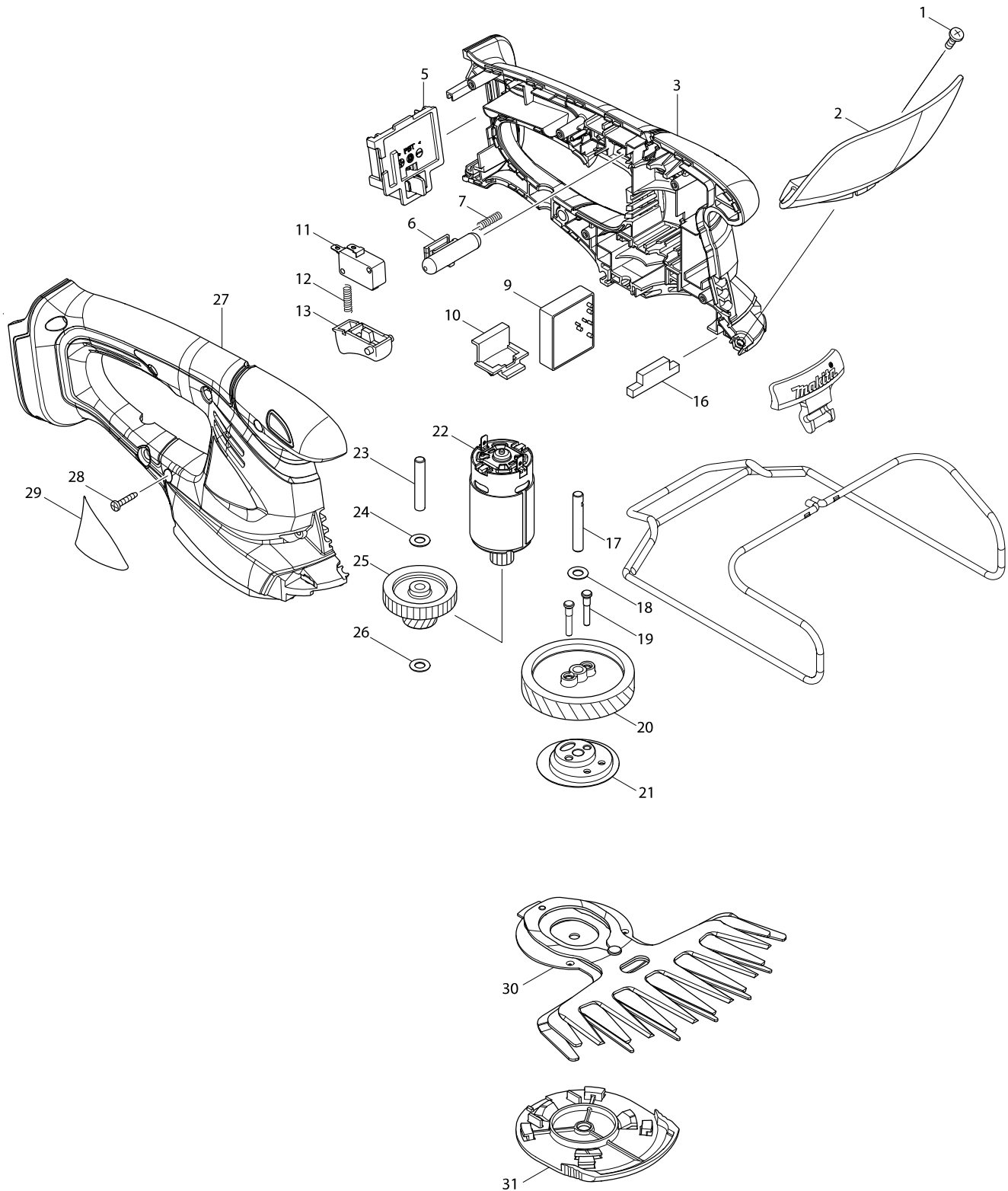


型號 DUM168 160MM CORDLESS GRASS SHEAR



型號 DUM168 160MM CORDLESS GRASS SHEAR

分解圖號	零件編號	品名	交換	數量	N/O	選擇1	選擇2	註記
001	915116-7	BINDING HEAD SCREW M4X12		1				
002	140599-4	PROTECTOR COMPLETE		1				
C10	819948-3	CAUTION LABEL		1				
003	187426-4	HOUSING SET		1				
C10	931102-0	HEX. NUT M4		1				
C20	346275-0	PLATE		2				
C30	263005-3	RUBBER PIN 6		2				
D10		INC. 27						
005	643852-2	TERMINAL		1				
006	452438-9	LOCK OFF BUTTON		1				
007	231473-8	COMPRESSION SPRING 4		1				
009	620119-5	CONTROLLER		1				
010	451812-8	LOCK LEVER		1				
011	651891-8	SWITCH V-15-3A6		1				
012	231473-8	COMPRESSION SPRING 4		1				
013	417564-1	SWITCH LEVER		1				
016	451814-4	DUST GUARD		1				
017	268254-7	PIN 6		1				
018	261122-3	WASHER 6		1				
019	268256-3	PIN 4		2				
020	227728-7	HELICAL GEAR 47		1				
021	165609-6	CRANK COMPLETE		1				
022	629943-3	DC MOTOR		1				
023	268076-5	PIN 6		1				
024	261122-3	WASHER 6		1				
025	226831-1	GEAR 12-31		1				
026	261122-3	WASHER 6		1				
027	187426-4	HOUSING SET		1				
C10	931102-0	HEX. NUT M4		1				
C20	346275-0	PLATE		2				
C30	263005-3	RUBBER PIN 6		2				
D10		INC. 3						
028	266429-2	TAPPING SCREW 3X16		6				
029	815V20-1	DUM168 NAME PLATE		1				
030	195267-4	SHEAR BLADE ASSEMBLY SET		1				
C10	188369-3	OIL VESSEL SET		1				
031	140451-6	UNDER COVER COMPLETE		1				
A01	326146-7	BASE FRAME		1				
A02	451813-6	CHANGE LEVER		1				
A03	452055-5	BLADE COVER		1				
A04B	***DC18RC	DC18RC FAST CHARGER		1	*			
A04-1B	***DC18RC	DC18RC FAST CHARGER	<	1				
A05B	196789-7	BATTERY BL1830 SET		1	*			
A05-1B	196789-7	BATTERY BL1830 SET	O	1	*			
A05-2B	196974-2	BATTERY BL1830 SET	<	1				