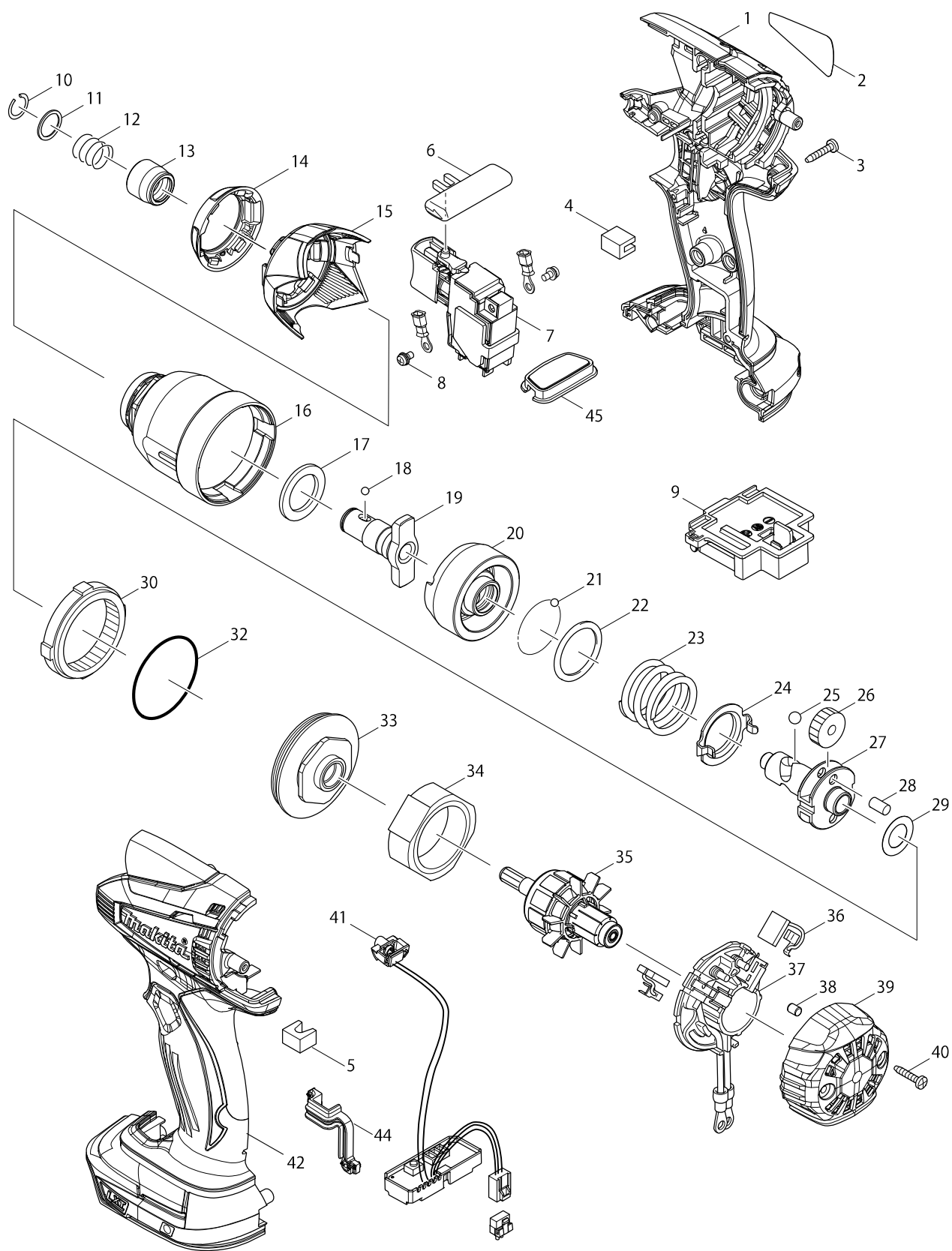


型號 DTD146 CORDLESS IMPACT DRIVER



型號 DTD146 CORDLESS IMPACT DRIVER

分解圖號	零件編號	品名	交換	數量	N/O	選擇1	選擇2	註記
001	187116-9	HOUSING SET		1				
C10	263005-3	RUBBER PIN 6		2				
D10		INC. 42						
002	815D17-2	DTD146 NAME PLATE		1				
003	266429-2	TAPPING SCREW 3X16		8				
004	423423-9	SPONGE B		1				
005	423422-1	SPONGE A		1				
006	419041-9	F/R CHANGE LEVER		1				
007	650722-8	SWITCH TG573FSB-1		1				
008	652045-0	+PAN HEAD SCREW M3.5X5		2				
009	643852-2	TERMINAL		1				
010	231951-8	RING SPRING 11		1				
011	267085-1	FLAT WASHER 12		1				
012	233005-7	COMPRESSION SPRING 13		1				
013	326068-1	BIT SLEEVE		1				
014	424429-0	BUMPER		1				
015	452837-5	HAMMER CASE COVER		1				
016	140946-9	HAMMER CASE COMPLETE		1				
017	261151-6	NYLON WASHER 19		1				
018	216001-0	STEEL BALL 3.5		2	*			
018-1	216040-0	STEEL BALL 3.5	O	2				
019	326067-3	ANVIL N		1				
020	326054-2	HAMMER		1				
021	216001-0	STEEL BALL 3.5		24	*			
021-1	216040-0	STEEL BALL 3.5	O	24				
022	267175-0	FLAT WASHER 24		1				
023	233430-2	COMPRESSION SPRING 24		1				
024	346466-3	PLATE		1				
025	216011-7	STEEL BALL 5.6		2	*			
025-1	216041-8	STEEL BALL 5.6	O	2				
026	227233-4	SPUR GEAR 22		2	*			
026-1	227362-3	SPUR GEAR 22	<	2				
027	326066-5	SPINDLE		1				
028	256253-1	PIN 5		2				
029	253362-7	THIN WASHER 12		1				
030	227150-8	INTERNAL GEAR 51		1				
032	213507-9	O RING 40		1				
033	158145-9	BEARING BOX COMPLETE		1				
034	638396-5	YOKE UNIT		1				
035	619247-1	ARMATURE		1	*			
035-1	619372-8	ARMATURE	<	1				
036	194427-5	CARBON BRUSH CB-440		1				
037	638387-6	BRUSH HOLDER COMPLETE		1				
038	263032-0	RUBBER PIN 4		2				
039	452832-5	REAR COVER		1				
040	266429-2	TAPPING SCREW 3X16		2				
041	620052-1	LIGHT CIRCUIT		1				
042	187116-9	HOUSING SET		1				

型號 DTD146 CORDLESS IMPACT DRIVER

分解圖號	零件編號	品名	交換	數量	N/O	選擇1	選擇2	註記
C10	263005-3	RUBBER PIN 6		2				
D10		INC. 1						
044	424430-5	SEAL		1				
045	140963-9	SWITCH PLATE COMPLETE		1				
A01	266622-8	+ TRUSS HEAD SCREW M4X12		1				
A02A	346449-3	HOOK		1				
A02B	346317-0	HOOK		1				
A02C	346317-0	HOOK		1				
A02D	346317-0	HOOK		1				
A03B	450128-8	BATTERY COVER		1				
A03C	450128-8	BATTERY COVER		1				
A03D	450128-8	BATTERY COVER		2				
A04B	***DC18RC	DC18RC FAST CHARGER		1	*			
A04C	***DC18RC	DC18RC FAST CHARGER		1	*			
A04D	***DC18RC	DC18RC FAST CHARGER		1	*			
A04-1B	***DC18RC	DC18RC FAST CHARGER	<	1				
A04-1C	***DC18RC	DC18RC FAST CHARGER	<	1				
A04-1D	***DC18RC	DC18RC FAST CHARGER	<	1				
A05B	194204-5	BATTERY BL1830 SET		2	*			
A05C	196791-0	BATTERY BL1840 SET		2	*			
A05D	196789-7	BATTERY BL1830 SET		3	*			
A05-1B	196789-7	BATTERY BL1830 SET	O	2	*			
A05-1C	196791-0	BATTERY BL1840 SET	O	2	*			
A05-1D	196789-7	BATTERY BL1830 SET	O	3	*			
A05-2B	196789-7	BATTERY BL1830 SET	O	2	*			
A05-2C	196976-8	BATTERY BL1840 SET	<	2				
A05-2D	196974-2	BATTERY BL1830 SET	<	3				
A05-3B	196974-2	BATTERY BL1830 SET	<	2				
A06B	824979-9	PLASTIC CARRYING CASE		1				
A06C	824979-9	PLASTIC CARRYING CASE		1				
A06D	824979-9	PLASTIC CARRYING CASE		1				
A07B	802S10-5	DTD146RFE PLASTIC CASE LABEL		2				
A07C	804M06-6	DTD146RME PLASTIC CASE LABEL		2				
A07D	802S17-1	DTD146RFE3 PLASTIC CASE LABEL		2				