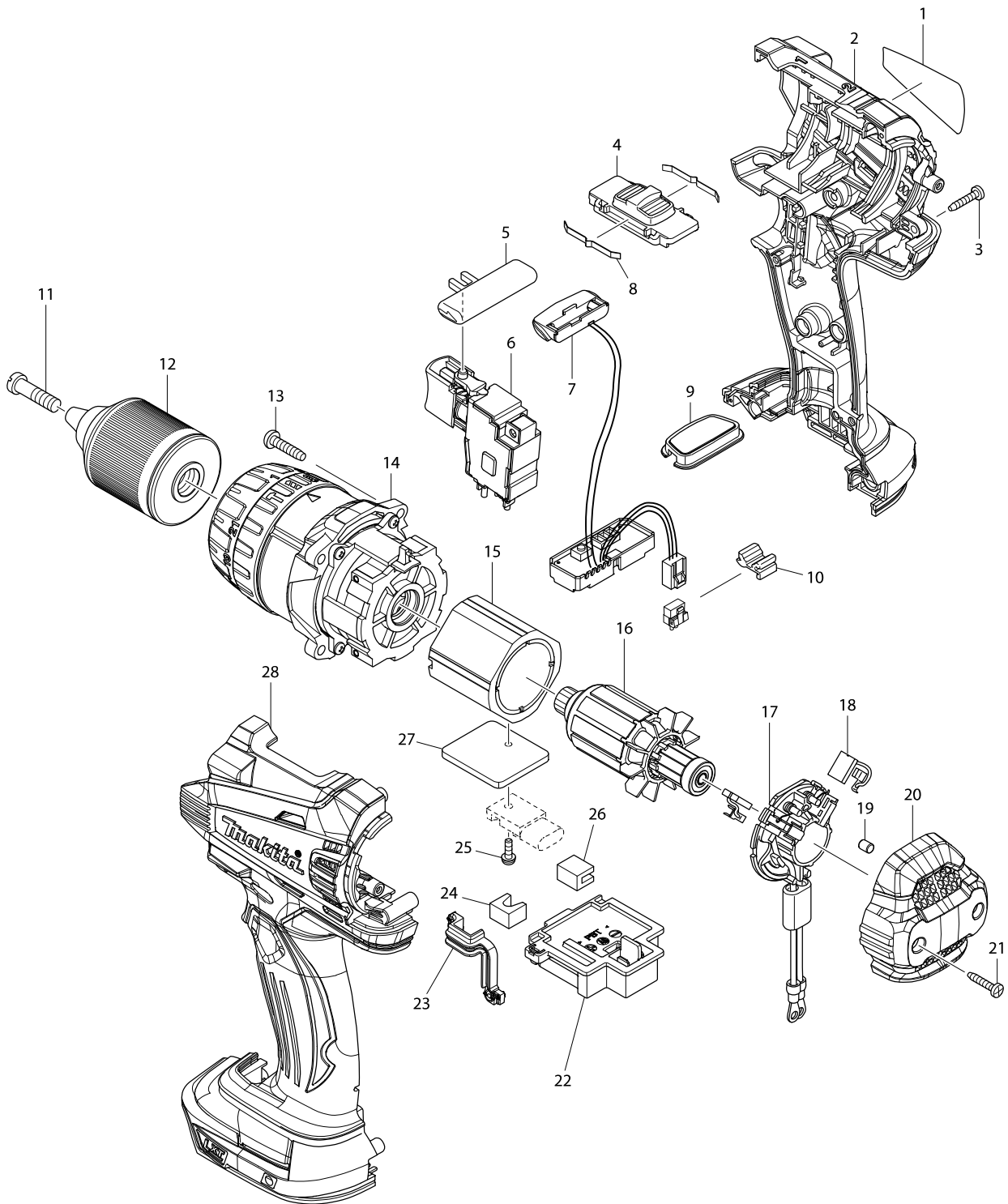


型號 DHP458 CORDLESS HAMMER DRIVER DRILL



型號 DHP458 CORDLESS HAMMER DRIVER DRILL

分解圖號	零件編號	品名	交換	數量	N/O	選擇1	選擇2	註記
001	814Y76-9	DHP458 NAME PLATE		1				
002	187430-3	HOUSING SET		1				
C10	263005-3	RUBBER PIN 6		2				
C20	252126-6	HEX. LOCKING NUT M4-7		2				
D10		INC. 28						
003	266130-9	TAPPING SCREW BIND PT 3X16		7				
004	126100-9	SPEED CHANGE LEVER ASSEMBLY		1				
C10	233438-6	COMPRESSION SPRING 4		2				
005	419250-0	F/R CHANGE LEVER		1				
006	650724-4	SWITCH TG573FSB-3		1				
007	620138-1	LIGHT CIRCUIT		1				
008	232220-0	LEAF SPRING		2				
009	140963-9	SWITCH PLATE COMPLETE		1				
010	424476-1	CUSHION		1				
011	251468-5	- FLAT HEAD SCREW M6X22		1				
012	766015-4	KEYLESS DRILL CHUCK 13		1				
013	265995-6	TAPPING SCREW 4X18		4				
014C	126099-8	GEAR ASSEMBLY		1	*			
014D	126099-8	GEAR ASSEMBLY		1	*			
014-1C	126448-9	GEAR ASSEMBLY	<	1				
014-1D	126448-9	GEAR ASSEMBLY	<	1				
014-1E	126448-9	GEAR ASSEMBLY		1				
014-1F	126448-9	GEAR ASSEMBLY		1				
015	638989-8	YOKE UNIT		1				
016	619301-1	ARMATURE		1				
017	638614-1	BRUSH HOLDER COMPLETE		1				
018	194427-5	CARBON BRUSH CB-440		1				
019	263032-0	RUBBER PIN 4		2				
020	453394-6	REAR COVER		1				
021	266130-9	TAPPING SCREW BIND PT 3X16		2				
022	644808-8	TERMINAL		1				
023	424430-5	SEAL		1				
024	423422-1	SPONGE A		1				
025	911013-5	PAN HEAD SCREW M3X10		1				
026	423423-9	SPONGE B		1				
027	689176-2	HEAT SINK		1				
028	187430-3	HOUSING SET		1				
C10	263005-3	RUBBER PIN 6		2				
C20	252126-6	HEX. LOCKING NUT M4-7		2				
D10		INC. 2						
A01C	126131-8	GRIP ASSEMBLY		1	*			
C10	154935-8	GRIP 36 COMPLETE		1	*			
C20	266750-9	SQUARE BOLT M8X100		1	*			
C30	346566-9	GRIP SPRING 60		1	*			
C40	453584-1	GRIP BASE 60		1	*			
C50	265785-7	THUMB SCREW M5X10		1	*			
C60	931202-6	HEX. NUT M5		1	*			
A01D	126131-8	GRIP ASSEMBLY		1	*			

型號 DHP458 CORDLESS HAMMER DRIVER DRILL

分解圖號	零件編號	品名	交換	數量	N/O	選擇1	選擇2	註記
C10	154935-8	GRIP 36 COMPLETE		1	*			
C20	266750-9	SQUARE BOLT M8X100		1	*			
C30	346566-9	GRIP SPRING 60		1	*			
C40	453584-1	GRIP BASE 60		1	*			
C50	265785-7	THUMB SCREW M5X10		1	*			
C60	931202-6	HEX. NUT M5		1	*			
A01-1C	123257-7	GRIP ASSEMBLY	<	1				
C10	154935-8	GRIP 36 COMPLETE		1				
C20	266899-5	SQUARE BOLT M8X140		1				
C30	346566-9	GRIP SPRING 60		1				
C40	455189-3	GRIP BASE 60		1				
C50	265785-7	THUMB SCREW M5X10		1				
C60	931202-6	HEX. NUT M5		1				
A01-1D	123257-7	GRIP ASSEMBLY	<	1				
C10	154935-8	GRIP 36 COMPLETE		1				
C20	266899-5	SQUARE BOLT M8X140		1				
C30	346566-9	GRIP SPRING 60		1				
C40	455189-3	GRIP BASE 60		1				
C50	265785-7	THUMB SCREW M5X10		1				
C60	931202-6	HEX. NUT M5		1				
A01-1E	123257-7	GRIP ASSEMBLY		1				
C10	154935-8	GRIP 36 COMPLETE		1				
C20	266899-5	SQUARE BOLT M8X140		1				
C30	346566-9	GRIP SPRING 60		1				
C40	455189-3	GRIP BASE 60		1				
C50	265785-7	THUMB SCREW M5X10		1				
C60	931202-6	HEX. NUT M5		1				
A01-1F	123257-7	GRIP ASSEMBLY		1				
C10	154935-8	GRIP 36 COMPLETE		1				
C20	266899-5	SQUARE BOLT M8X140		1				
C30	346566-9	GRIP SPRING 60		1				
C40	455189-3	GRIP BASE 60		1				
C50	265785-7	THUMB SCREW M5X10		1				
C60	931202-6	HEX. NUT M5		1				
A02	251314-2	+ SCREW M4X12		2				
A03	346317-0	HOOK		1				
A04	452947-8	BIT HOLDER		1				
A05	784637-8	+- BIT 2-45		2				
A06	122576-8	STOPPER POLE ASSY		1				
A07C	***DC18RC	DC18RC FAST CHARGER		1	*			
A07E	***DC18RC	DC18RC FAST CHARGER		1	*			
A07F	***DC18RC	DC18RC FAST CHARGER		1	*			
A07-1C	***DC18RC	DC18RC FAST CHARGER	<	1				
A07-1E	***DC18RC	DC18RC FAST CHARGER	<	1				
A07-1F	***DC18RC	DC18RC FAST CHARGER	<	1				
A08C	194204-5	BATTERY BL1830 SET		2	*			
A08E	196791-0	BATTERY BL1840 SET		2	*			
A08F	196789-7	BATTERY BL1830 SET		3	*			

