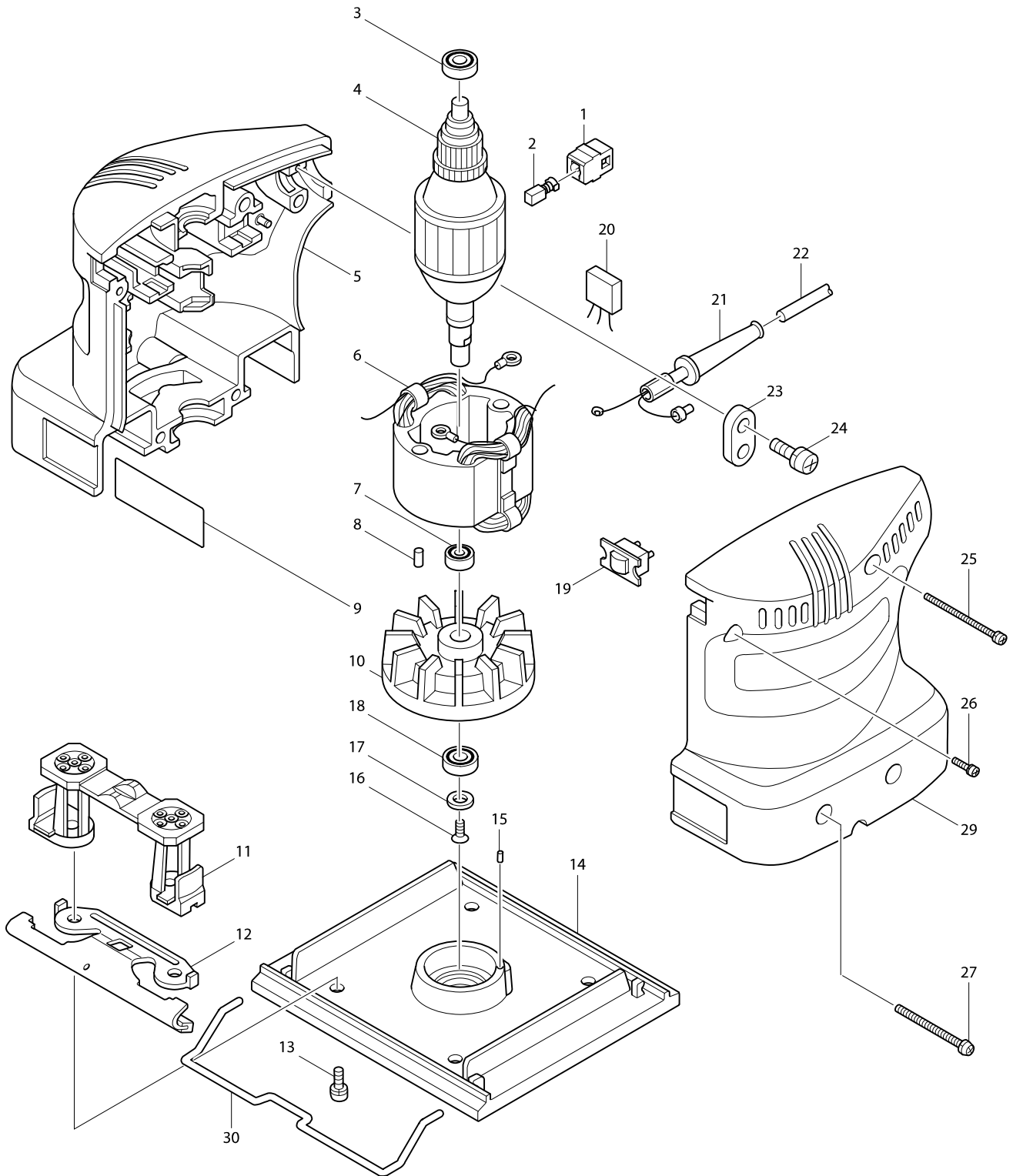


# 型號 BO4510 FINISHING SANDER



# 型號 BO4510 FINISHING SANDER

分解圖號	零件編號	品名	交換	數量	N/O	選擇1	選擇2	註記
001	643552-4	BRUSH HOLDER 5-8		2				
002-1	191956-9	CARBON BRUSH CB-75		1				
003-1	210025-8	BALL BEARING 627LLB		1				
004A	515120-2	ARMATURE ASS'Y 100V		1	*			
D10		INC. 3,7			*			
004-1A	510078-0	ARMATURE ASS'Y 100V	O	1	*			
D10		INC. 3,7			*			
004-2A	510078-0	ARMATURE ASS'Y 100V	O	1	*			
D10		INC. 3,7			*			
004-3A	515120-2	ARMATURE ASS'Y 100V	O	1				
D10		INC. 3,7						
004C_E	515123-6	ARMATURE ASS'Y 220V		1	*			
D11		INC. 3,7-1			*			
004C1E	510081-1	ARMATURE ASS'Y 220V	O	1	*			
D11		INC. 3,7-1			*			
004C2E	510081-1	ARMATURE ASS'Y 220V	O	1	*			
D11		INC. 3,7-1			*			
004C3E	515123-6	ARMATURE ASS'Y 220V	O	1				
D11		INC. 3,7-1						
005D_	181328-6	HOUSING SET		1				
C10	817647-1	CAUTION LABEL		1				
D10		INC. 8,29D						
006A	525105-0	FIELD ASS'Y 100V		1				
C10	654038-3	INSULATED TERMINAL FT1.25-M4		2	*			
C11	654038-3	INSULATED TERMINAL FT1.25-M4	O	2	*			
C12	654038-3	INSULATED TERMINAL FT1.25-M4	O	2	*			
C13	654038-3	INSULATED TERMINAL FT1.25-M4	O	2				
006F_E	528113-0	FIELD ASS'Y 220V		1				
C10	654038-3	INSULATED TERMINAL FT1.25-M4		2	*			
C11	654038-3	INSULATED TERMINAL FT1.25-M4	O	2	*			
C12	654038-3	INSULATED TERMINAL FT1.25-M4	O	2	*			
C13	654038-3	INSULATED TERMINAL FT1.25-M4	O	2				
007-1	211092-6	BALL BEARING 629DDW		1	*			
007-2	210078-7	BALL BEARING 629DDW	O	1	*			
007-3	211092-6	BALL BEARING 629DDW	O	1				
008	263002-9	RUBBER PIN 4		1				
009	815215-4	NAME PLATE BO4510		1				
010-1	241652-0	FAN 65		1				
011-1	410918-1	FOOT		2				
012A_	155674-3	CLAMPER		2				
C10	413039-8	CLAMPER COVER		2				
013A_	911111-5	PAN HEAD SCREW M4X10		4				
014B_	155304-6	BASE COMPLETE		1				
C10	443046-7	FELT 100X110		1				
D10		INC. 15						
015	263002-9	RUBBER PIN 4		1				
016	912112-6	COUNTERSUNK HEAD SCREW M4X10		1				
017	253825-3	FLAT WASHER 6		1				

# 型號 BO4510 FINISHING SANDER

分解圖號	零件編號	品名	交換	數量	N/O	選擇1	選擇2	註記
018-1	211066-7	BALL BEARING 6200LLB		1				
019A_	651600-5	SWITCH SS106A		1				
020A_	645105-5	NOISE SUPPRESSOR		1				
021A	682504-0	CORD GUARD 10-85		1				
021A_E	682502-4	CORD GUARD 8-85		1				
022A	661014-0	POWER SUPPLY CORD 0.75-2-2.5		1				
022T_E	694022-6	POWER SUPPLY CORD 1.0-2-2.5		1				
023A	687001-1	STRAIN RELIEF		1				
023D_E	687031-2	STRAIN RELIEF		1				
024-1	911133-5	PAN HEAD SCREW M4X18		2				
025	911188-0	PAN HEAD SCREW M4X60		1				
026	911148-2	PAN HEAD SCREW M4X25		1				
027	911198-7	PAN HEAD SCREW M4X70		2				
029D_	181328-6	HOUSING SET		1				
C10	817647-1	CAUTION LABEL		1				
D10		INC. 5D,8						
400	794195-6	ABRASIVE PAPER SET 114X100		1				