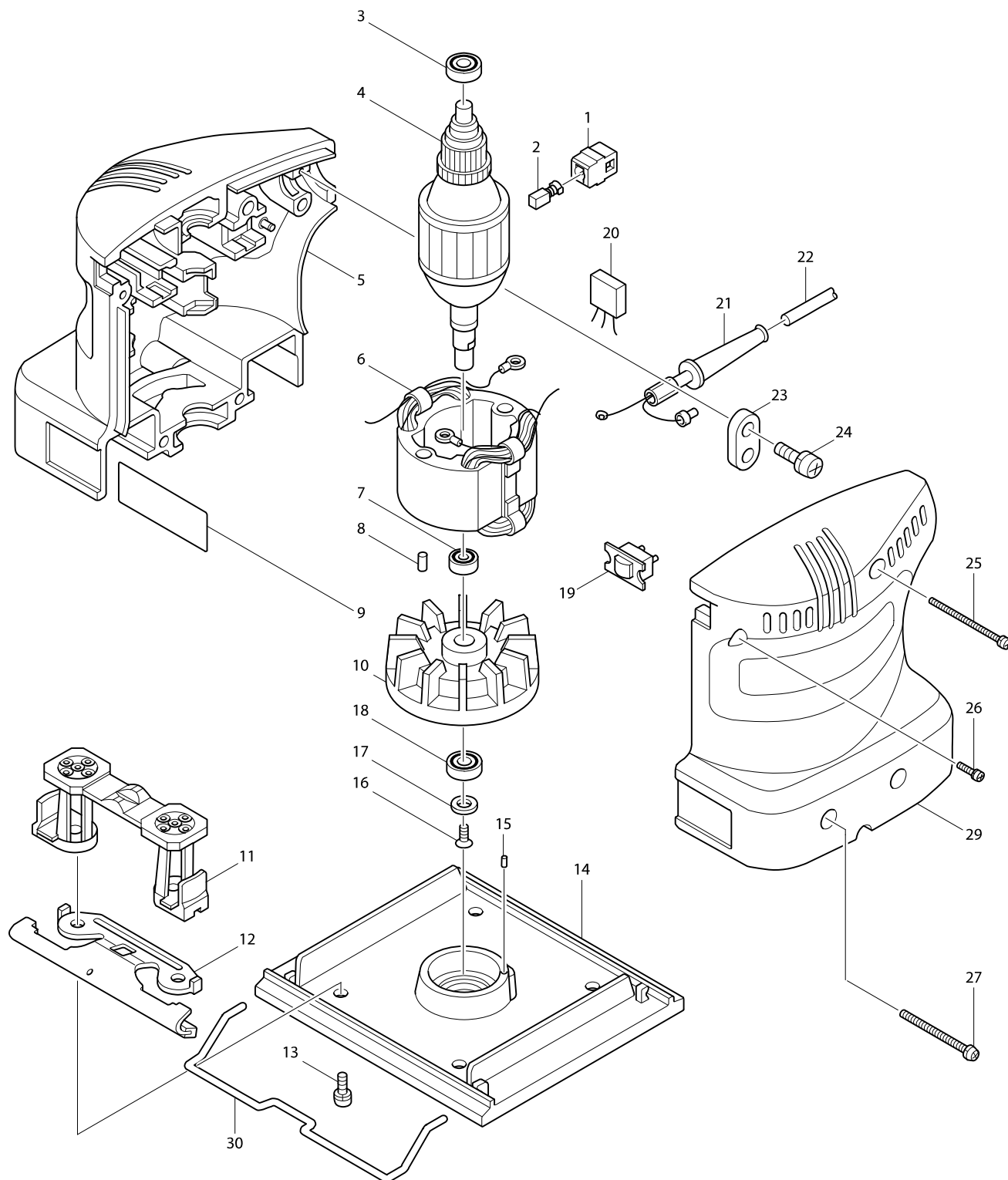


型號 BO4510 FINISHING SANDER



型號 BO4510 FINISHING SANDER

| 分解圖號 | 零件編號 | 品名 | 交換 | 數量 | N/O | 選擇1 | 選擇2 | 註記 |
|--------|----------|------------------------------|----|----|-----|-----|-----|----|
| 001 | 643552-4 | BRUSH HOLDER 5-8 | | 2 | | | | |
| 002-1 | 191956-9 | CARBON BRUSH CB-75 | | 1 | | | | |
| 003-1 | 210025-8 | BALL BEARING 627LLB | | 1 | | | | |
| 004A | 515120-2 | ARMATURE ASS'Y 100V | | 1 | * | | | |
| D10 | | INC. 3,7 | | | * | | | |
| 004-1A | 510078-0 | ARMATURE ASS'Y 100V | O | 1 | * | | | |
| D10 | | INC. 3,7 | | | * | | | |
| 004-2A | 510078-0 | ARMATURE ASS'Y 100V | O | 1 | * | | | |
| D10 | | INC. 3,7 | | | * | | | |
| 004-3A | 515120-2 | ARMATURE ASS'Y 100V | O | 1 | | | | |
| D10 | | INC. 3,7 | | | | | | |
| 004C_E | 515123-6 | ARMATURE ASS'Y 220V | | 1 | * | | | |
| D11 | | INC. 3,7-1 | | | * | | | |
| 004C1E | 510081-1 | ARMATURE ASS'Y 220V | O | 1 | * | | | |
| D11 | | INC. 3,7-1 | | | * | | | |
| 004C2E | 510081-1 | ARMATURE ASS'Y 220V | O | 1 | * | | | |
| D11 | | INC. 3,7-1 | | | * | | | |
| 004C3E | 515123-6 | ARMATURE ASS'Y 220V | O | 1 | | | | |
| D11 | | INC. 3,7-1 | | | | | | |
| 005D_ | 181328-6 | HOUSING SET | | 1 | | | | |
| C10 | 817647-1 | CAUTION LABEL | | 1 | | | | |
| D10 | | INC. 8,29D | | | | | | |
| 006A | 525105-0 | FIELD ASS'Y 100V | | 1 | | | | |
| C10 | 654038-3 | INSULATED TERMINAL FT1.25-M4 | | 2 | * | | | |
| C11 | 654038-3 | INSULATED TERMINAL FT1.25-M4 | O | 2 | * | | | |
| C12 | 654038-3 | INSULATED TERMINAL FT1.25-M4 | O | 2 | * | | | |
| C13 | 654038-3 | INSULATED TERMINAL FT1.25-M4 | O | 2 | | | | |
| 006F_E | 528113-0 | FIELD ASS'Y 220V | | 1 | | | | |
| C10 | 654038-3 | INSULATED TERMINAL FT1.25-M4 | | 2 | * | | | |
| C11 | 654038-3 | INSULATED TERMINAL FT1.25-M4 | O | 2 | * | | | |
| C12 | 654038-3 | INSULATED TERMINAL FT1.25-M4 | O | 2 | * | | | |
| C13 | 654038-3 | INSULATED TERMINAL FT1.25-M4 | O | 2 | | | | |
| 007-1 | 211092-6 | BALL BEARING 629DDW | | 1 | * | | | |
| 007-2 | 210078-7 | BALL BEARING 629DDW | O | 1 | * | | | |
| 007-3 | 211092-6 | BALL BEARING 629DDW | O | 1 | | | | |
| 008 | 263002-9 | RUBBER PIN 4 | | 1 | | | | |
| 009 | 815215-4 | NAME PLATE BO4510 | | 1 | | | | |
| 010-1 | 241652-0 | FAN 65 | | 1 | | | | |
| 011-1 | 410918-1 | FOOT | | 2 | | | | |
| 012A_ | 155674-3 | CLAMPER | | 2 | | | | |
| C10 | 413039-8 | CLAMPER COVER | | 2 | | | | |
| 013A_ | 911111-5 | PAN HEAD SCREW M4X10 | | 4 | | | | |
| 014B_ | 155304-6 | BASE COMPLETE | | 1 | | | | |
| C10 | 443046-7 | FELT 100X110 | | 1 | | | | |
| D10 | | INC. 15 | | | | | | |
| 015 | 263002-9 | RUBBER PIN 4 | | 1 | | | | |
| 016 | 912112-6 | COUNTERSUNK HEAD SCREW M4X10 | | 1 | | | | |
| 017 | 253825-3 | FLAT WASHER 6 | | 1 | | | | |

