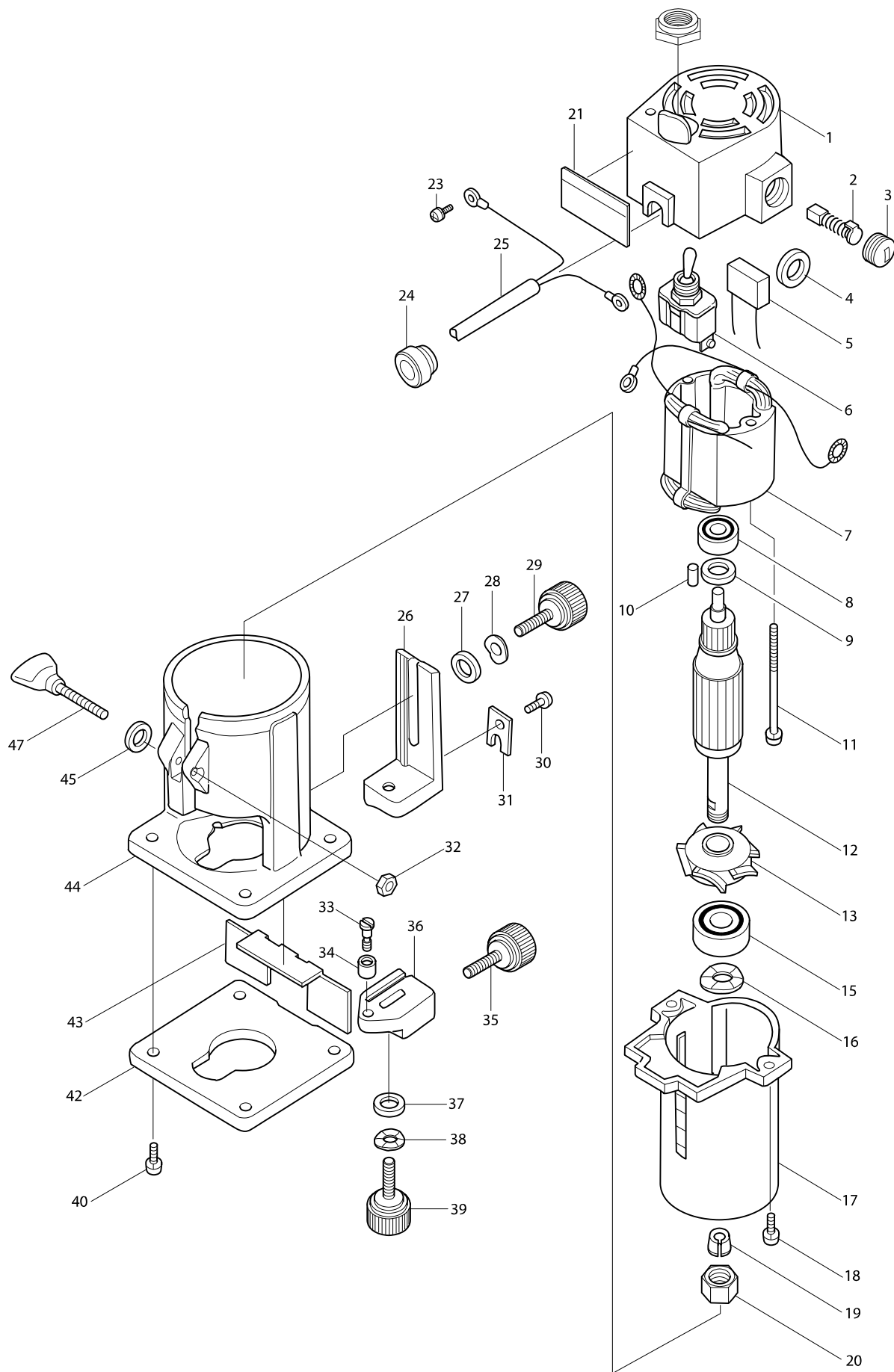


# 型號 3701 TRIMMER 6MM



分解圖號	零件編號	品名	交換	數量	N/O	選擇1	選擇2	註記
001D_	151759-3	MOTOR REAR HOUSING COMPLETE		1				
C10	643556-6	BRUSH HOLDER 5-8		2				
C20	913206-0	SET SCREW M5X8		2				
D10		INC. 10						
002B_	191947-0	CARBON BRUSH CB-76		1				
003	643550-8	BRUSH HOLDER CAP 5-8		2				
004	681000-5	INSULATION WASHER		2				
005A	645121-7	NOISE SUPPRESSOR		1				
006A	651403-7	SWITCH ST115A-31		1	*			
006-1A	651433-8	SWITCH ST115A-31	<	1				
006A1E	651467-1	SWITCH STE206K		1				
007-1A	593160-0	FIELD ASS'Y 100V		1				
C10	654018-9	RING TERMINAL		1				
C20	654501-6	CONNECTOR P-1.25		1				
007F_E	599336-7	FIELD ASS'Y 220V		1				
C10	654018-9	RING TERMINAL		1				
C20	654501-6	CONNECTOR P-1.25		1				
008	211028-5	BALL BEARING 627LB		1				
009	253133-2	FLAT WASHER 7		1				
010	263002-9	RUBBER PIN 4		1				
011-1	911581-8	PAN HEAD SCREW M4X55		2				
012A_A	511931-3	ARMATURE ASS'Y 115V		1				
D10		INC. 8,9,13,15						
012C_E	511933-9	ARMATURE ASS'Y 220V		1				
D10		INC. 8,9,13,15						
013A	241615-6	FAN 52		1	*			
013E	241615-6	FAN 52		1	*			
013-1A	241516-8	FAN 52	X	1	*			
013-1E	241516-8	FAN 52	X	1	*			
013-2	241615-6	FAN 52	X	1				
015A	211227-9	BALL BEARING 6002DDW		1	*			
015E	211227-9	BALL BEARING 6002DDW		1	*			
015-1	211236-8	BALL BEARING 6002DDW	O	1				
016	253905-5	WAVE WASHER 23		1				
017A_	317244-8	MOTOR HOUSING		1				
018	911116-5	PAN HEAD SCREW M4X12		2				
019	763607-0	COLLET CONE 6MM		1	*			
019-1	763607-0	COLLET CONE 6MM	O	1				
020	763606-2	COLLET NUT 6		1				
021	854534-3	NAME PLATE N3701		1				
023	652014-1	PAN HEAD SCREW M4X8		1				
024C_	687105-9	STRAIN RELIEF		1				
025-1A	661128-5	POWER SUPPLY CORD 0.75-3-2.5		1	*			
025-2A	661198-4	POWER SUPPLY CORD 0.75-3-2.5	O	1	*			
025-3A	661128-5	POWER SUPPLY CORD 0.75-3-2.5	<	1				
025S_E	694211-3	POWER SUPPLY CORD 1.5-3-2.5		1				
026	312396-0	GUIDE HOLDER		1	*			
026-1	317788-8	GUIDE HOLDER	O	1				

分解圖號	零件編號	品名	交換	數量	N/O	選擇1	選擇2	註記
027	941151-9	FLAT WASHER 6		1				
028	253903-9	WAVE WASHER 6		1	*			
029	251815-0	SCREW M6X25		1	*			
029-1	265763-7	THUMB SCREW M6X25	O	1				
030	912116-8	COUNTERSUNK HEAD SCREW M4X12		1	*			
030-1	265135-6	+ COUNTERSUNK HEAD SCREW M4X	O	1				
031	341136-9	HOOK		1				
032A	931202-6	HEX. NUT M5		1	*			
032E	931202-6	HEX. NUT M5		1	*			
032-1	252156-7	HEX. NUT M5-8	O	1				
033	251420-3	- FLAT HEAD SCREW M5		1	*			
033-1	251471-6	- FLAT HEAD SCREW M5	O	1				
034	323495-3	ROLLER 11		1	*			
034-1	324378-0	ROLLER 11	O	1				
035	251819-2	SCREW M6		1	*			
035-1	265764-5	THUMB SCREW M6	O	1				
036	312650-2	TRIMMER GUIDE		1	*			
036-1	317789-6	TRIMMER GUIDE	O	1				
037	941151-9	FLAT WASHER 6		1				
038	253903-9	WAVE WASHER 6		1	*			
039	251815-0	SCREW M6X25		1	*			
039-1	265763-7	THUMB SCREW M6X25	O	1				
040	251308-7	+ PAN HEAD SCREW M4X10		4				
042	410585-2	BASE PROTECTOR		1				
043	411115-2	CHIP DEFLECTOR		1	*			
043-1	418647-0	CHIP DEFLECTOR	O	1				
044	411930-4	BASE		1				
045	941101-4	FLAT WASHER 5		1				
047	251867-1	SCREW M5X30		1				
400	251919-8	CAP SQUARE NECK BOLT M6X20		1				
401	253903-9	WAVE WASHER 6		1				
402	941151-9	FLAT WASHER 6		1				
403	343593-7	GUIDE PLATE		1				
404	343594-5	STRAIGHT GUIDE		1				
405	934301-3	WING NUT M6		1				
406	343577-5	TEMPLET GUIDE 10		1				
407	793076-1	STRAIGHT BIT 6		1	*			
407-1	D-09167	STRAIGHT BITS 6	O	1				
409	781003-0	WRENCH 10		1				
410	781008-0	WRENCH 17		1				
500	122391-0	STRAIGHT GUIDE ASS'Y		1				
D10		INC. 400-405						
503-1	122389-7	TRIMMER GUIDE ASS'Y		1	*			
D10		INC. 26,30,31,33-39			*			
503-2	122703-7	TRIMMER GUIDE ASS'Y	O	1				
D10		INC. 26,30,31,33-37,39						
900E	632919-1	LINE COIL UNIT		1				
901E	632920-6	CAPACITOR UNIT		1				

分解圖號	零件編號	品名	交換	數量	N/O	選擇1	選擇2	註記
902-1E	632935-3	CHOKE COIL UNIT		1				
903A	646324-6	LINE COIL		1				