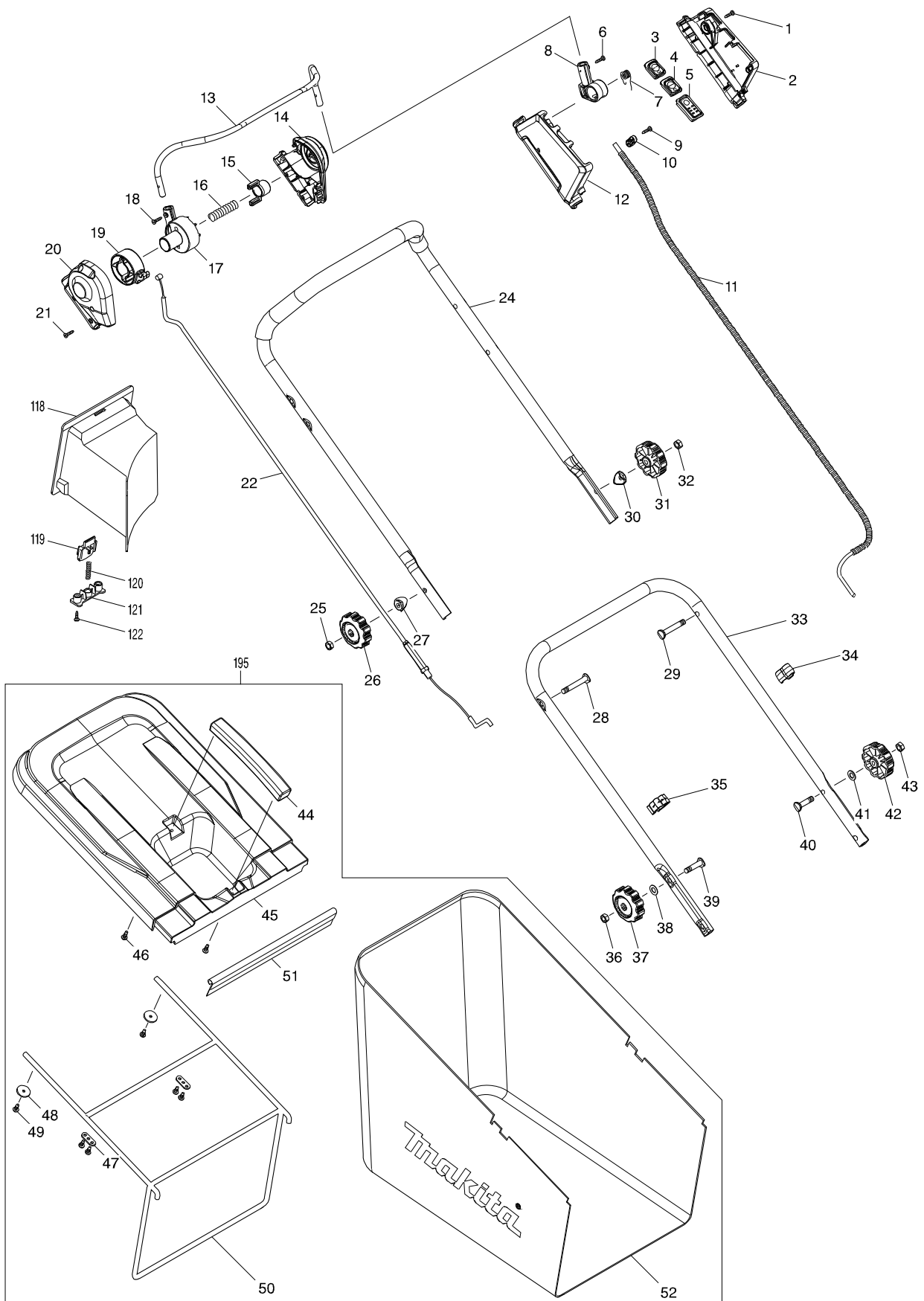
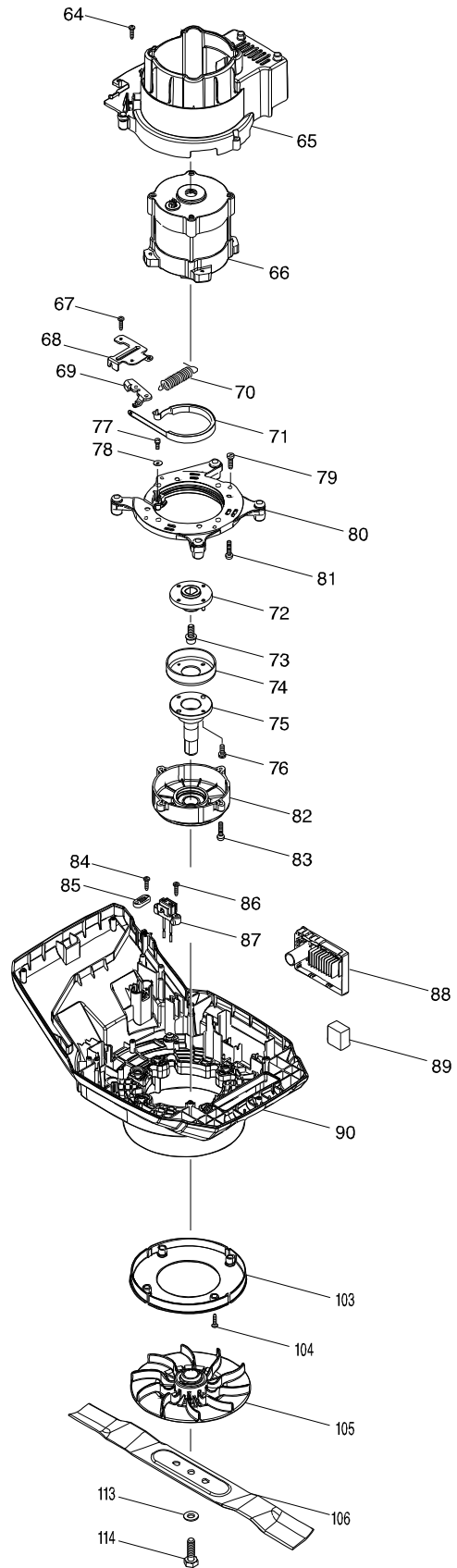
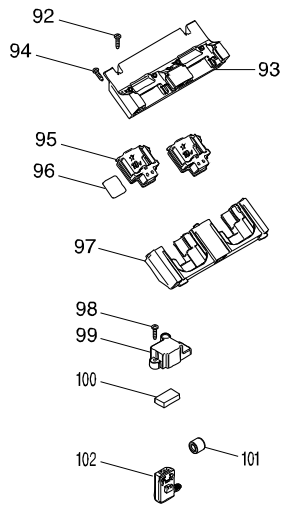
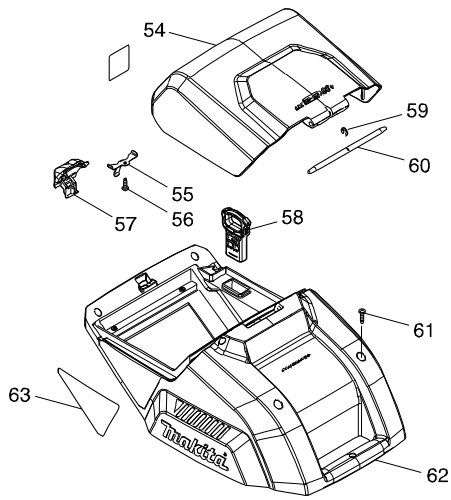


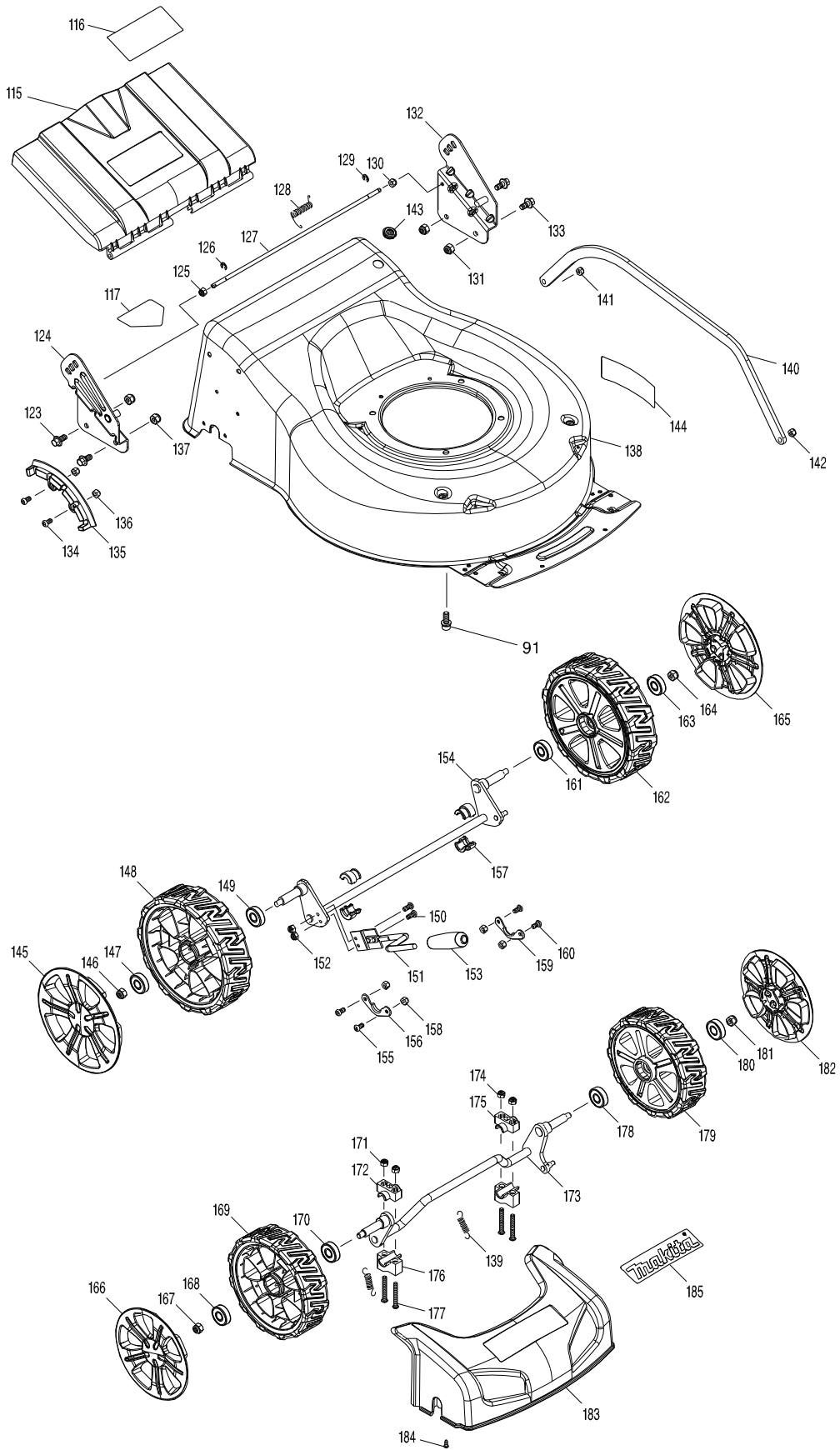
# 型號 DLM460 460MM CORDLESS LAWN MOWER



# 型號 DLM460 460MM CORDLESS LAWN MOWER



# 型號 DLM460 460MM CORDLESS LAWN MOWER



# 型號 DLM460 460MM CORDLESS LAWN MOWER

分解圖號	零件編號	品名	交換	數量	N/O	選擇1	選擇2	註記
001	266326-2	TAPPING SCREW 4X18		4				
002	183K45-0	SWITCH BOX SET		1				
D10		INC. 12						
003	140F09-7	SWITCH CIRCUIT COMPLETE		1				
C10	810D46-0	SWITCH LABEL		1				
004	140F10-2	SWITCH CIRCUIT COMPLETE		1				
C10	818A74-1	SWITCH LABEL		1				
005	140F08-9	LED CIRCUIT COMPLETE		1				
C10	818A73-3	LED CIRCUIT COMPLETE		1				
006	266324-6	TAPPING SCREW 4X22		1				
007	232470-7	TORSION SPRING 12		1				
008	458803-0	LEVER SUPPORT		1				
009	266326-2	TAPPING SCREW 4X18		2				
010	687124-5	STRAIN RELIEF		1				
011	699115-4	POWER SUPPLY CORD UNIT		1				
012	183K45-0	SWITCH BOX SET		1				
D10		INC. 2						
013	327208-4	SWITCH LEVER		1				
014	183K56-5	LEVER BOX SET		1				
C10	818A72-5	INDICATION LABEL		1				
D10		INC. 20						
015	458807-2	LOCK OFF BUTTON		1				
016	231227-3	COMPRESSION SPRING 15		1				
017	458805-6	DRIVING SLEEVE A		1				
018	266324-6	TAPPING SCREW 4X22		1				
019	458806-4	DRIVING SLEEVE B		1				
020	183K56-5	LEVER BOX SET		1				
C10	818A72-5	INDICATION LABEL		1				
D10		INC. 14						
021	266326-2	TAPPING SCREW 4X18		4				
022	162509-1	CONTROL CABLE		1				
024	DA00001255	HANDLE UPPER + GRIP RUBBER		1				
025	DA00000563	HEXAGON NUT M8		1				
026	DA00000564	KNOB		1				
027	DA00000924	PLASTIC SADDLE WASHER 8		1				
028	DA00000569	SADDLE HEAD BOLT M8X58		1				
029	DA00000569	SADDLE HEAD BOLT M8X58		1				
030	DA00000924	PLASTIC SADDLE WASHER 8		1				
031	DA00000564	KNOB		1				
032	DA00000563	HEXAGON NUT M8		1				
033	671001606	LOWER HANDLE BAR		1				
034	458810-3	CABLE CLAMP		1				
035	671611001	CABLE CLIP		1				
036	DA00000563	HEXAGON NUT M8		1				
037	DA00000564	KNOB		1				
038	671007007	FLAT WASHER 8		1				
039	DA00000880	SADDLE HEAD BOLT M8X35		1				
040	DA00000880	SADDLE HEAD BOLT M8X35		1				

請訂購一個零件。

列印日期 2018/12/14

# 型號 DLM460 460MM CORDLESS LAWN MOWER

分解圖號	零件編號	品名	交換	數量	N/O	選擇1	選擇2	註記
041	671007007	FLAT WASHER 8		1				
042	DA00000564	KNOB		1				
043	DA00000563	HEXAGON NUT M8		1				
044	671454001	GRASS CATCHER HANDLE		1				
045	671467001	GRASS CATCHER UPPER BORAD		1				
046	DA00000326	TAPPING SCREW ST5X16		2				
047	DA00000335	RETAINER PLATE		2				
048	DA00000025	WASHER 5		2				
049	DA00000888	TAPPING SCREW ST5X12		6				
050	671001443	GRASS CATCHER FRAME		1				
051	671001353	GRASS CATCHER FRAME SHEATH		1				
052	671001418	GRASS CATCHER CLOTH SET MAKITA		1				
054	140F02-1	BATTERY COVER COMPLETE		1				
C10	890380-0	CAUTION LABEL		1				
C20	818U29-6	INDICATION LABEL		1				
055	232471-5	LEAF SPRING		1				
056	266326-2	TAPPING SCREW 4X18		1				
057	458809-8	LOCK LEVER		1				
058	643535-4	KEY		1				
059	961018-5	STOP RING E-5		1				
060	327209-2	ROD 6		1				
061	266326-2	TAPPING SCREW 4X18		7				
062	458798-7	COWLING UPPER		1				
063	854V20-6	DLM460 NAME PLATE		1				
064	266326-2	TAPPING SCREW 4X18		4				
065	140F01-3	MOTOR COVER COMPLETE		1				
C10	263005-3	RUBBER PIN 6		2				
066	629374-6	DC MOTOR		1				
067	266326-2	TAPPING SCREW 4X18		2				
068	347456-9	LEVER BRACKET		1				
069	347455-1	BRAKE LEVER		1				
070	232469-2	TENSION SPRING 15		1				
071	140F28-3	BRAKE BAND COMPLETE		1	*			
071-1	140K44-5	BRAKE BAND COMPLETE	<	1				
072	140F06-3	DRUM HOLDER COMPLETE		1				
073	922438-8	H.S.H.BOLT M8X22 WITH WR		1				
074	347506-0	BRAKE DRUM		1				
075	327207-6	SPINDLE		1	*			
075-1	327361-6	SPINDLE	<	1				
076	911221-8	PAN HEAD SCREW M5X16		2				
077	922116-0	HEX. SOCKET HEAD BOLT M4X12		1				
078	253874-0	FLAT WASHER 4		1				
079	266420-0	TAPPING SCREW 5X20		4				
080	319768-0	MOTOR BRACKET		1				
081	911243-8	PAN HEAD SCREW M5X25		4				
082	140F51-8	BRAKE COVER COMPLETE		1				
C10	211326-7	BALL BEARING 6004DDW		1				
083	911243-8	PAN HEAD SCREW M5X25		4				

請訂購一個零件。

列印日期 2018/12/14

# 型號 DLM460 460MM CORDLESS LAWN MOWER

分解圖號	零件編號	品名	交換	數量	N/O	選擇1	選擇2	註記
084	266326-2	TAPPING SCREW 4X18		2				
085	687124-5	STRAIN RELIEF		1				
086	266326-2	TAPPING SCREW 4X18		2				
087	632M81-0	LEAD UNIT		1				
088	620939-7	CONTROLLER		1				
089	422351-5	SPONGE		2				
090	458799-5	COWLING LOWER		1				
091	922438-8	H.S.H.BOLT M8X22 WITH WR		4				
092	266326-2	TAPPING SCREW 4X18		2				
093	183K40-0	TERMINAL HOUSING SET		1				
C10	263005-3	RUBBER PIN 6		4				
D10		INC. 97						
094	266326-2	TAPPING SCREW 4X18		3				
095	644809-6	TERMINAL		2				
096	854V26-4	DLM460 SERIAL NO. LABEL		1				
097	183K40-0	TERMINAL HOUSING SET		1				
C10	263005-3	RUBBER PIN 6		4				
D10		INC. 93						
098	266326-2	TAPPING SCREW 4X18		2				
099	458797-9	SWITCH COVER		1				
100	422350-7	SPONGE		1				
101	688163-8	LINE FILTER		1				
102	651083-9	SWITCH C3XA-1PSM		1				
103	458808-0	BUFFLE PLATE		1				
104	266326-2	TAPPING SCREW 4X18		4				
105	140F05-5	BLADE SUPPORT COMPLETE		1				
106	199367-2	BLADE 460 SET		1				
113	941251-5	FLAT WASHER 10		1				
114	921556-9	HEX. BOLT M10X35		1				
115	DA00001252	REAR FLAP		1				
116	818A77-5	CAUTION LABEL		1				
118	671660001	MULCHING PLUG BOX		1				
119	671316004	LOCKING BUTTON		1				
120	671011005	COMPRESSION SPRING		1				
121	671317001	PRESSING BOARD OF LOCKING		1				
122	DA00000603	TAPPING SCREW ST4X16		2				
123	DA00000562	HEX.FLANGE BOLT M8X16		2				
124	DA00001248	HANDLE BRACKET R		1				
125	DA00000543	HEX.FLANGE LOCK NUT M6		1				
126	671009017	STOP RING E-6		1				
127	671001518	REAR FLAP HINGE ROD		1				
128	671011101	REAR FLAP TORSION SPRING		1				
129	671009017	STOP RING E-6		1				
130	DA00000543	HEX.FLANGE LOCK NUT M6		1				
131	DA00000537	HEX.FLANGE LOCK NUT M8		2				
132	DA00001249	HANDLE BRACKET L		1				
133	DA00000562	HEX.FLANGE BOLT M8X16		2				
134	671002019	TRUSS HEAD SCREW M6X12		2				

請訂購一個零件。

列印日期 2018/12/14

# 型號 DLM460 460MM CORDLESS LAWN MOWER

分解圖號	零件編號	品名	交換	數量	N/O	選擇1	選擇2	註記
135	DA00000787	HEIGHT ADJUSTER STOP PLATE		1	*			
135-1	459361-9	ADJUST PLATE	<	1				
136	DA00000543	HEX.FLANGE LOCK NUT M6		2				
137	DA00000537	HEX.FLANGE LOCK NUT M8		2				
138	DA00001250	DECK		1				
139	671011125	HEIGHT ADJUST TENSION SPRING		2				
140	DA00001154	LINK ROD		1				
141	DA00000549	NYLON INSERT HEX.LOCK NUT M6		1				
142	DA00000549	NYLON INSERT HEX.LOCK NUT M6		1				
143	671800104	GROMMET		1				
144	818A76-7	3 IN 1 LOGO LABEL		1				
145	DA00000536	WHEEL COVER 7 INCH		1				
146	DA00000537	HEX.FLANGE LOCK NUT M8		1				
147	DA00000538	BALL BEARING 6201ZZ		1				
148	671020160	WHEEL ASSY 8 INCH		1				
149	DA00000538	BALL BEARING 6201ZZ		1				
150	671002030	PAN. HEAD SCREW M6X14		2				
151	DA00001174	HANDLE		1				
152	DA00000549	NYLON INSERT HEX.LOCK NUT M6		2				
153	DA00001058	HEIGHT ADJUSTMENT KNOB		1				
154	DA00001175	REAR WHEEL AXIS ASSY		1				
155	671002019	TRUSS HEAD SCREW M6X12		2				
156	DA00000542	BEARING CASE RETAINER		1				
157	DA00001025	REAR AXLE MOUNT		4				
158	DA00000543	HEX.FLANGE LOCK NUT M6		4				
159	DA00000542	BEARING CASE RETAINER		1				
160	671002019	TRUSS HEAD SCREW M6X12		2				
161	DA00000538	BALL BEARING 6201ZZ		1				
162	671020160	WHEEL ASSY 8 INCH		1				
163	DA00000538	BALL BEARING 6201ZZ		1				
164	DA00000537	HEX.FLANGE LOCK NUT M8		1				
165	DA00000536	WHEEL COVER 7 INCH		1				
166	671001176	WHEEL COVER 6.5 INCH		1				
167	DA00000537	HEX.FLANGE LOCK NUT M8		1				
168	DA00000538	BALL BEARING 6201ZZ		1				
169	671020150	WHEEL ASSY 7 INCH		1				
170	DA00000538	BALL BEARING 6201ZZ		1				
171	DA00000549	NYLON INSERT HEX.LOCK NUT M6		2				
172	671445001	FRONT AXLE RETAINER		1				
173	671001786	FRONT AXLE		1				
174	DA00000549	NYLON INSERT HEX.LOCK NUT M6		2				
175	671445001	FRONT AXLE RETAINER		1				
176	671418001	FRONT AXLE MOUNT		2				
177	671002028	PAN.HED SCREW M6X45		4				
178	DA00000538	BALL BEARING 6201ZZ		1				
179	671020150	WHEEL ASSY 7 INCH		1				
180	DA00000538	BALL BEARING 6201ZZ		1				
181	DA00000537	HEX.FLANGE LOCK NUT M8		1				

請訂購一個零件。

列印日期 2018/12/14

