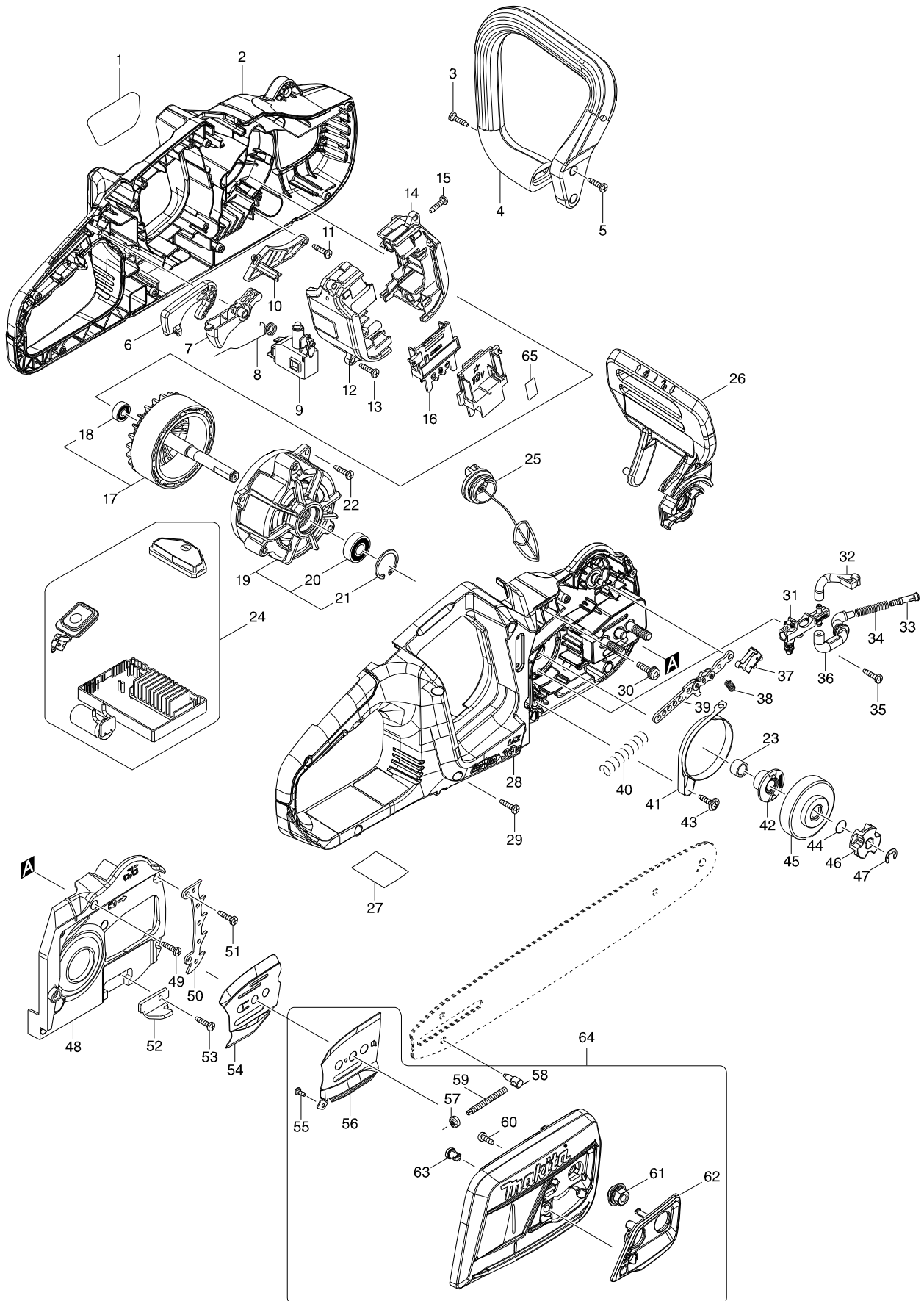


型號 DUC405 400MM CORDLESS CHAIN SAW



型號 DUC405 400MM CORDLESS CHAIN SAW

| 分解圖號 | 零件編號 | 品名 | 交換 | 數量 | N/O | 選擇1 | 選擇2 | 註記 |
|------|----------|------------------------|----|----|-----|-----|-----|----|
| 001 | 818H95-5 | DUC405 MODEL NO. LABEL | | 1 | | | | |
| 002 | 183K77-7 | HOUSING SET | | 1 | | | | |
| C10 | 812D16-5 | CAUTION LABEL | | 1 | | | | |
| D10 | | INC. 28 | | | | | | |
| 003 | 266326-2 | TAPPING SCREW 4X18 | | 2 | | | | |
| 004 | 457007-1 | FRONT HANDLE | | 1 | | | | |
| 005 | 266326-2 | TAPPING SCREW 4X18 | | 2 | | | | |
| 006 | 457013-6 | CATCH LEVER | | 1 | | | | |
| 007 | 457006-3 | SWITCH LEVER | | 1 | | | | |
| 008 | 232318-3 | TORSION SPRING 10 | | 1 | | | | |
| 009 | 650781-2 | SWITCH C3JW-6B-P | | 1 | | | | |
| 010 | 457010-2 | HOUSING L COVER | | 1 | | | | |
| 011 | 266326-2 | TAPPING SCREW 4X18 | | 1 | | | | |
| 012 | 183F15-9 | TERMINAL BOX SET | | 1 | | | | |
| C10 | 263005-3 | RUBBER PIN 6 | | 4 | | | | |
| D10 | | INC. 14 | | | | | | |
| 013 | 266326-2 | TAPPING SCREW 4X18 | | 4 | | | | |
| 014 | 183F15-9 | TERMINAL BOX SET | | 1 | | | | |
| C10 | 263005-3 | RUBBER PIN 6 | | 4 | | | | |
| D10 | | INC. 12 | | | | | | |
| 015 | 266326-2 | TAPPING SCREW 4X18 | | 2 | | | | |
| 016 | 643874-2 | TERMINAL | | 2 | | | | |
| 017 | 519411-3 | ROTOR ASS'Y | | 1 | | | | |
| D10 | | INC. 18 | | | | | | |
| 018 | 210028-2 | BALL BEARING 606ZZ | | 1 | | | | |
| 019 | 592H45-5 | STATOR ASS'Y | | 1 | | | | |
| D10 | | INC. 20,21 | | | | | | |
| 020 | 210059-1 | BALL BEARING 6000DDW | | 1 | | | | |
| 021 | 962105-3 | RETAINING RING R-26 | | 1 | | | | |
| 022 | 266326-2 | TAPPING SCREW 4X18 | | 3 | | | | |
| 023 | 257402-3 | SLEEVE 10 | | 1 | | | | |
| 024 | 144007-7 | CONTROLLER COMPLETE | | 1 | | | | |
| 025 | 168508-1 | TANK CAP COMPLETE | | 1 | | | | |
| C10 | 213355-6 | O-RING 25 | | 1 | | | | |
| 026 | 458418-3 | FRONT HAND GUARD | | 1 | | | | |
| 027 | 855A27-9 | DUC405 NAME PLATE | | 1 | | | | |
| 028 | 183K77-7 | HOUSING SET | | 1 | | | | |
| C10 | 812D16-5 | CAUTION LABEL | | 1 | | | | |
| D10 | | INC. 2 | | | | | | |
| 029 | 266326-2 | TAPPING SCREW 4X18 | | 8 | | | | |
| 030 | 911233-1 | PAN HEAD SCREW M5X20 | | 3 | | | | |
| 031 | 142156-4 | OIL PUMP COMPLETE | | 1 | | | | |
| 032 | 424904-6 | CONNECTOR B | | 1 | | | | |
| 033 | 452666-6 | NIPPLE | | 1 | | | | |
| 034 | 234207-8 | COMPRESSION SPRING 6 | | 1 | | | | |
| 035 | 266326-2 | TAPPING SCREW 4X18 | | 1 | | | | |
| 036 | 424903-8 | CONNECTOR A | | 1 | | | | |
| 037 | 632H47-0 | SWITCH UNIT | | 1 | | | | |

