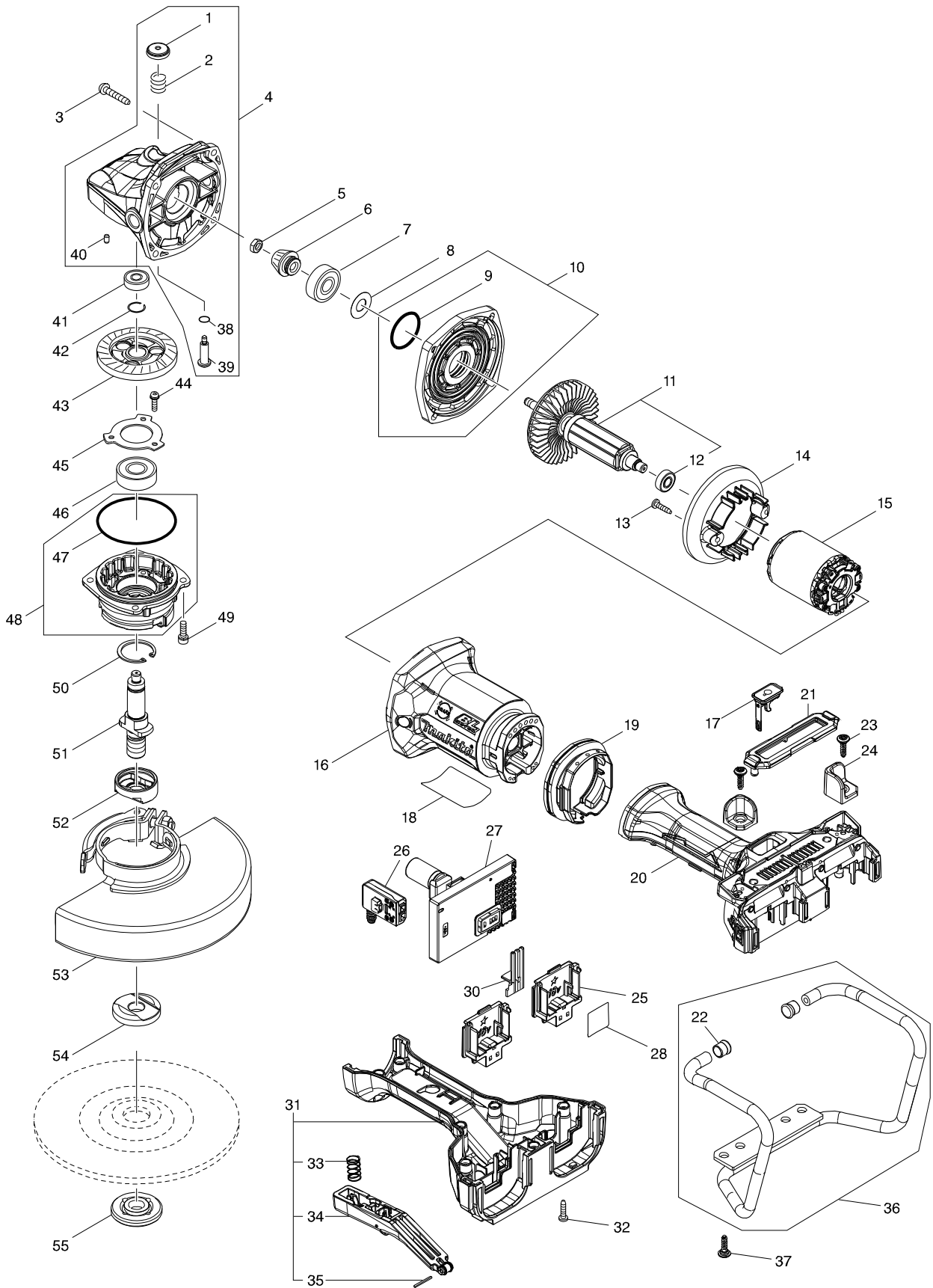


型號 DGA701 180MM CORDLESS ANGLE GRINDER



型號 DGA701 180MM CORDLESS ANGLE GRINDER

| 分解圖號 | 零件編號 | 品名 | 交換 | 數量 | N/O | 選擇1 | 選擇2 | 註記 |
|-------|----------|---------------------------|----|----|-----|-----|-----|----|
| 001 | 451485-7 | 銷蓋 F/GA7050 | | 1 | | | | |
| 002 | 233089-5 | 彈簧12 C/233292-8 F/HR2410 | | 1 | | | | |
| 003 | 266173-1 | 自攻牙螺絲 5X30 | | 4 | | | | |
| 004 | 135918-7 | GEAR HOUSING ASS'Y | | 1 | | | | |
| D10 | | INC. 1,2,38-40 | | | | | | |
| 005 | 264010-3 | 六角螺母M7 | | 1 | | | | |
| 006 | 227564-1 | 傘型齒輪10A F/GA7050 | | 1 | | | | |
| 007 | 211137-0 | 軸承 | | 1 | | | | |
| 008 | 253759-0 | 平板墊片12 | | 1 | | | | |
| 009 | 213459-4 | O形環 32 | | 1 | | | | |
| 010 | 135916-1 | GEAR HOUSING COVER ASS'Y | | 1 | | | | |
| D10 | | INC. 9 | | | | | | |
| 011 | 519436-7 | ROTOR ASS'Y | | 1 | * | | | |
| D10 | | INC. 12 | | | * | | | |
| 011-1 | 519436-7 | ROTOR ASS'Y | O | 1 | | | | |
| D10 | | INC. 12 | | | | | | |
| 012 | 211166-3 | BALL BEARING 698DDW | | 1 | | | | |
| 013 | 266326-2 | 螺絲 M4X18 | | 2 | | | | |
| 014 | 457618-2 | BAFFLE PLATE | | 1 | | | | |
| 015 | 629376-2 | STATOR | | 1 | | | | |
| 016 | 457615-8 | MOTOR HOUSING | | 1 | | | | |
| 017 | 140F99-0 | CAP COMPLETE | | 1 | | | | |
| C10 | 213218-6 | O圈 1 6 | | 1 | | | | |
| C20 | 818H07-8 | CAP LABEL | | 1 | | | | |
| 018 | 854U75-5 | DGA701 NAME PLATE | | 1 | | | | |
| 019 | 457619-0 | VIBRATION PROOF RUBBER | | 1 | | | | |
| 020 | 136022-5 | HANDLE SWITCH LEVER ASS'Y | | 1 | | | | |
| C10 | 263005-3 | 橡皮銷 6 | | 4 | | | | |
| D10 | | INC. 31,33-35 | | | | | | |
| 021 | 457620-5 | DUST COVER | | 1 | | | | |
| 022 | 422230-7 | CAP | | 2 | | | | |
| 023 | 251587-7 | H.L.TAPPING SCREW 5X18 | | 2 | | | | |
| 024 | 327048-0 | PROTECTION BLOCK | | 2 | * | | | |
| 024-1 | 347482-8 | PROTECTION BLOCK | O | 2 | | | | |
| 025 | 644809-6 | TERMINAL | | 2 | | | | |
| 026 | 651083-9 | SWITCH C3XA-1PSPM | | 1 | | | | |
| 027 | 620987-6 | CONTROLLER COMPLETE | | 1 | | | | |
| C10 | 801H41-5 | INDICATION LABEL | | 1 | | | | |
| 028 | 854U82-8 | DGA701 SERIAL NO. LABEL | | 1 | | | | |
| 030 | 457621-3 | LENS | | 1 | | | | |
| 031 | 136022-5 | HANDLE SWITCH LEVER ASS'Y | | 1 | | | | |
| C10 | 263005-3 | 橡皮銷 6 | | 4 | | | | |
| D10 | | INC. 20,33-35 | | | | | | |
| 032 | 265999-8 | 螺絲 4X25 | | 7 | | | | |
| 033 | 234357-9 | COMPRESSION SPRING 11 | | 1 | | | | |
| 034 | 144584-9 | SWITCH LEVER COMPLETE | | 1 | | | | |
| 035 | 951019-1 | SPRING PIN 2-20 | | 1 | | | | |
| 036 | 135919-5 | GUARD PIPE ASS'Y | | 1 | | | | |

請訂購一個零件。

列印日期 2018/12/18

型號 DGA701 180MM CORDLESS ANGLE GRINDER

| 分解圖號 | 零件編號 | 品名 | 交換 | 數量 | N/O | 選擇1 | 選擇2 | 註記 |
|------|----------|-------------------------------|----|----|-----|-----|-----|----|
| D10 | | INC. 22 | | | | | | |
| 037 | 251587-7 | H.L.TAPPING SCREW 5X18 | | 4 | | | | |
| 038 | 213026-5 | O 形環 7 | | 1 | | | | |
| 039 | 256516-5 | 肩銷11 F/GA7050 | | 1 | | | | |
| 040 | 263002-9 | 橡皮銷 4 | | 1 | | | | |
| 041 | 211032-4 | 培林 608ZZ | | 1 | | | | |
| 042 | 233925-5 | 彈簧圈13 | | 1 | | | | |
| 043 | 227562-5 | 傘型齒輪38 F/GA7050 | | 1 | | | | |
| 044 | 911128-8 | 平頭螺絲 4X16 | | 3 | | | | |
| 045 | 285851-4 | 培林保持圈 F/GA7050 | | 1 | | | | |
| 046 | 211228-7 | 培林 620DDW | | 1 | | | | |
| 047 | 213720-9 | O圈 67 | | 1 | | | | |
| 048 | 135917-9 | BEARING BOX ASS'Y | | 1 | | | | |
| D10 | | INC. 47 | | | | | | |
| 049 | 922221-3 | 六角螺絲 M5X16 | | 4 | | | | |
| 050 | 962151-6 | 擋圈 R-32 | | 1 | | | | |
| 051 | 326963-5 | SPINDLE | | 1 | | | | |
| 052 | 310800-3 | LEAD FLANGE | | 1 | | | | |
| 053 | 126635-0 | TOOLLESS WHEEL COVER 180TK AS | | 1 | | | | |
| C10 | 813C74-8 | CAUTION LABEL | | 1 | | | | |
| 054 | 224488-2 | INNER FLANGE 45B | | 1 | | | | |
| 055 | 224485-8 | 鎖定螺母 14-45 | | 1 | | | | |
| A01 | 143486-6 | 齒輪 37 | | 1 | | | | |
| A02 | 782407-9 | 油蓋板手 35 | | 1 | | | | |
| | | | | | | | | |
| | | | | | | | | |
| | | | | | | | | |
| | | | | | | | | |
| | | | | | | | | |
| | | | | | | | | |
| | | | | | | | | |
| | | | | | | | | |
| | | | | | | | | |
| | | | | | | | | |
| | | | | | | | | |
| | | | | | | | | |
| | | | | | | | | |
| | | | | | | | | |
| | | | | | | | | |
| | | | | | | | | |
| | | | | | | | | |
| | | | | | | | | |
| | | | | | | | | |
| | | | | | | | | |
| | | | | | | | | |
| | | | | | | | | |
| | | | | | | | | |
| | | | | | | | | |
| | | | | | | | | |
| | | | | | | | | |
| | | | | | | | | |
| | | | | | | | | |
| | | | | | | | | |
| | | | | | | | | |
| | | | | | | | | |
| | | | | | | | | |
| | | | | | | | | |
| | | | | | | | | |
| | | | | | | | | |
| | | | | | | | | |
| | | | | | | | | |
| | | | | | | | | |
| | | | | | | | | |
| | | | | | | | | |
| | | | | | | | | |
| | | | | | | | | |
| | | | | | | | | |

請訂購一個零件。

列印日期 2018/12/18