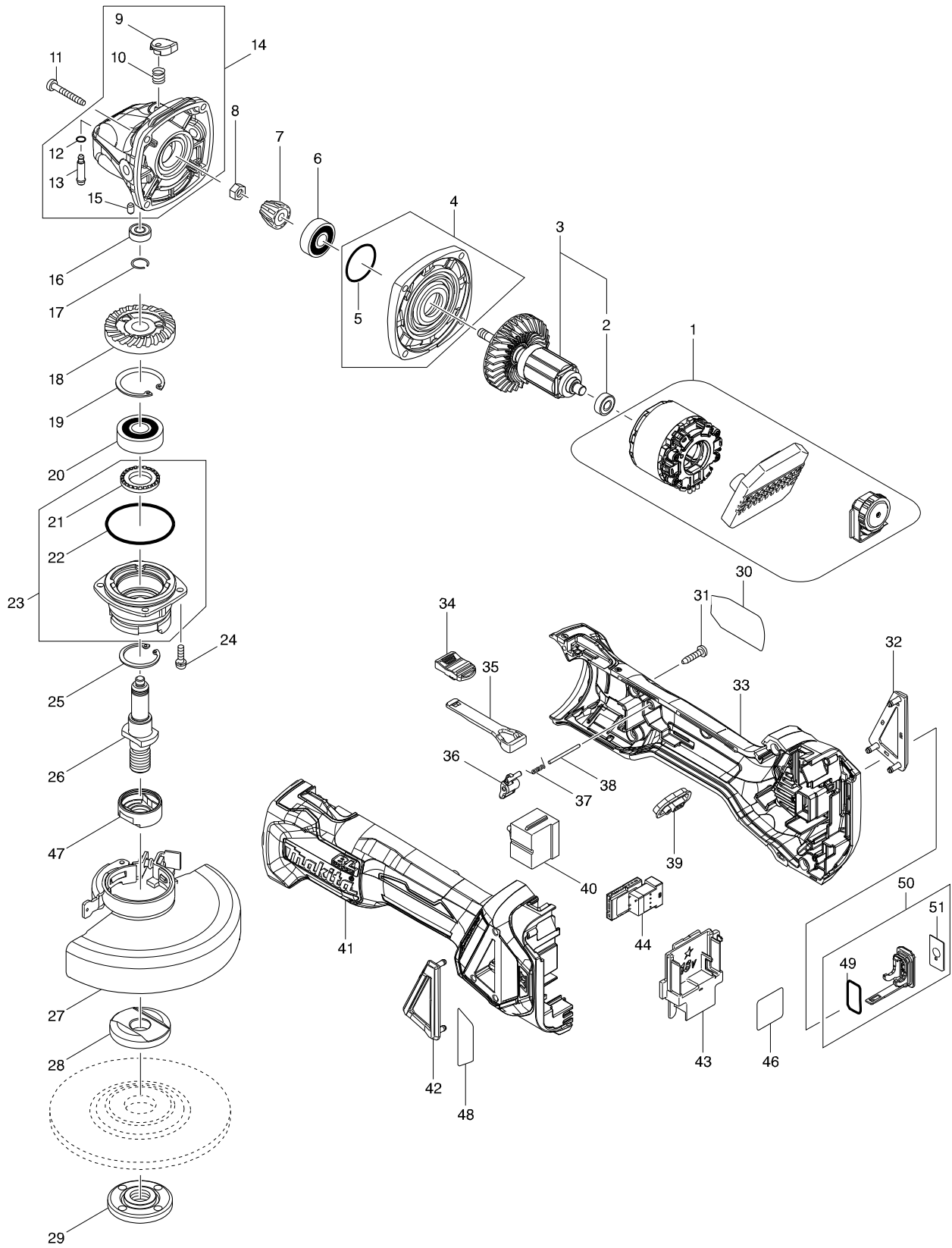


# 型號 DGA514 125MM CORDLESS ANGLE GRINDER



# 型號 DGA514 125MM CORDLESS ANGLE GRINDER

| 分解圖號  | 零件編號     | 品名                             | 交換 | 數量 | N/O | 選擇1 | 選擇2 | 註記 |
|-------|----------|--------------------------------|----|----|-----|-----|-----|----|
| 001   | 629299-4 | STATOR COMPLETE                |    | 1  |     |     |     |    |
| 002   | 211021-9 | 軸承 607LLB                      |    | 1  |     |     |     |    |
| 003   | 510300-5 | 馬達心                            |    | 1  |     |     |     |    |
| D10   |          | INC. 2                         |    |    |     |     |     |    |
| 004   | 135930-7 | GEAR HOUSING COVER ASSEMBLY    |    | 1  |     |     |     |    |
| D10   |          | INC. 5                         |    |    |     |     |     |    |
| 005   | 213445-5 | O圈 26                          |    | 1  |     |     |     |    |
| 006   | 210042-8 | 軸承 F/MT411                     |    | 1  |     |     |     |    |
| 007   | 227541-3 | 傘形齒輪 10                        |    | 1  | *   |     |     |    |
| 007-1 | 226861-2 | SPIRAL BEVEL GEAR 10           | S  | 1  |     |     |     |    |
| 008   | 252186-8 | 六角螺母 M6                        |    | 1  |     |     |     |    |
| 009   | 417771-6 | 銷蓋                             |    | 1  |     |     |     |    |
| 010   | 233072-2 | 彈簧8 F/9520B,MT950-4            |    | 1  |     |     |     |    |
| 011   | 266361-0 | 螺絲 4X30                        |    | 4  |     |     |     |    |
| 012   | 213960-9 | O圈5 F/9553B                    |    | 1  |     |     |     |    |
| 013   | 256546-6 | 鎖銷 4                           |    | 1  |     |     |     |    |
| 014   | 135929-2 | GEAR HOUSING ASSEMBLY          |    | 1  |     |     |     |    |
| D10   |          | INC. 9,10,12,13,15             |    |    |     |     |     |    |
| 015   | 263002-9 | 橡皮銷 4                          |    | 1  |     |     |     |    |
| 016   | 210006-2 | 滾珠軸承 696ZZ                     |    | 1  |     |     |     |    |
| 017   | 233950-6 | 彈簧11                           |    | 1  |     |     |     |    |
| 018   | 227641-9 | 傘形齒輪 37                        |    | 1  | *   |     |     |    |
| 018-1 | 226862-0 | SPIRAL BEVEL GEAR 37           | S  | 1  |     |     |     |    |
| 019   | 962151-6 | 擋圈 R-32                        |    | 1  |     |     |     |    |
| 020   | 211129-9 | 軸承 6201DDW                     |    | 1  |     |     |     |    |
| 021   | 262153-5 | 毛氈環16 F/GA7050                 |    | 1  |     |     |     |    |
| 022   | 213622-9 | O圈45 F/9553B                   |    | 1  |     |     |     |    |
| 023   | 135949-6 | BEARING BOX ASSEMBLY           |    | 1  |     |     |     |    |
| D10   |          | INC. 21,22                     |    |    |     |     |     |    |
| 024   | 911121-2 | 螺絲M4X14                        |    | 4  |     |     |     |    |
| 025   | 962105-3 | 擋圈R-26                         |    | 1  |     |     |     |    |
| 026   | 326672-6 | 軸                              |    | 1  |     |     |     |    |
| 027   | 123472-3 | TOOLLESS WHEEL COVER 125TAK AS |    | 1  |     |     |     |    |
| C10   | 213009-5 | O圈 4                           |    | 1  |     |     |     |    |
| C20   | 265180-1 | 螺絲 M5X16                       |    | 1  |     |     |     |    |
| C30   | 812D46-6 | CAUTION LABEL                  |    | 1  |     |     |     |    |
| 028   | 224488-2 | INNER FLANGE 45B               |    | 1  |     |     |     |    |
| 029   | 224554-5 | 外法蘭士14-45                      |    | 1  |     |     |     |    |
| 030   | 853X98-8 | DGA514 NAME PLATE              |    | 1  |     |     |     |    |
| 031   | 266326-2 | 螺絲 M4X18                       |    | 5  |     |     |     |    |
| 032   | 455450-8 | 防塵罩 R                          |    | 1  |     |     |     |    |
| 033   | 183H84-2 | MOTOR HOUSING SET              |    | 1  |     |     |     |    |
| C10   | 263005-3 | 橡皮銷 6                          |    | 2  |     |     |     |    |
| D10   |          | INC. 41                        |    |    |     |     |     |    |
| 034   | 455447-7 | 開關鈕                            |    | 1  |     |     |     |    |
| 035   | 455446-9 | 開關桿                            |    | 1  |     |     |     |    |
| 036   | 455448-5 | 槓桿                             |    | 1  |     |     |     |    |
| 037   | 231679-8 | 扭力彈簧 2                         |    | 1  |     |     |     |    |

請訂購一個零件。

列印日期 2018/12/18

# 型號 DGA514 125MM CORDLESS ANGLE GRINDER

| 分解圖號   | 零件編號      | 品名                          | 交換 | 數量 | N/O | 選擇1 | 選擇2 | 註記 |
|--------|-----------|-----------------------------|----|----|-----|-----|-----|----|
| 038    | 268330-7  | 銷 2                         |    | 1  |     |     |     |    |
| 039    | 142901-7  | 指示燈面板                       |    | 1  |     |     |     |    |
| 040    | 650579-7  | 起動開關 F/BGA402               |    | 1  |     |     |     |    |
| 041    | 183H84-2  | MOTOR HOUSING SET           |    | 1  |     |     |     |    |
| C10    | 263005-3  | 橡皮銷 6                       |    | 2  |     |     |     |    |
| D10    |           | INC. 33                     |    |    |     |     |     |    |
| 042    | 455449-3  | 防塵罩 L                       |    | 1  |     |     |     |    |
| 043    | 643874-2  | 端子座                         |    | 1  |     |     |     |    |
| 044    | 620752-3  | SUB CONTROLLER              |    | 1  |     |     |     |    |
| 046    | 853Y04-9  | DGA514 SERIAL NO. LABEL     |    | 1  |     |     |     |    |
| 047    | 310514-4  | LEAD FLANGE                 |    | 1  |     |     |     |    |
| 048    | 816D93-9  | INDICATION LABEL            |    | 1  |     |     |     |    |
| 049A   | 213275-4  | O RING 18                   |    | 1  | *   |     |     |    |
| 049B   | 213275-4  | O RING 18                   |    | 1  | *   |     |     |    |
| 049C   | 213218-6  | O圈 1 6                      |    | 1  |     |     |     |    |
| 049D   | 213218-6  | O圈 1 6                      |    | 1  |     |     |     |    |
| 049-1A | 213218-6  | O圈 1 6                      | <  | 1  |     |     |     |    |
| 049-1B | 213218-6  | O圈 1 6                      | <  | 1  |     |     |     |    |
| 050A   | 183H92-3  | CAP SET                     |    | 1  | *   |     |     |    |
| D10    |           | INC. 49,51                  |    |    | *   |     |     |    |
| 050B   | 183H92-3  | CAP SET                     |    | 1  | *   |     |     |    |
| D10    |           | INC. 49,51                  |    |    | *   |     |     |    |
| 050C   | 183J85-2  | CAP SET                     |    | 1  | *   |     |     |    |
| 050D   | 183J85-2  | CAP SET                     |    | 1  | *   |     |     |    |
| 050-1A | 183J85-2  | CAP SET                     | O  | 1  | *   |     |     |    |
| D10    |           | INC. 49,51                  |    |    | *   |     |     |    |
| 050-1B | 183J85-2  | CAP SET                     | O  | 1  | *   |     |     |    |
| D10    |           | INC. 49,51                  |    |    | *   |     |     |    |
| 050-1C | 140G30-2  | CAP COMPLETE                | <  | 1  |     |     |     |    |
| 050-1D | 140G30-2  | CAP COMPLETE                | <  | 1  |     |     |     |    |
| 050-2A | 140G30-2  | CAP COMPLETE                | <  | 1  |     |     |     |    |
| D10    |           | INC. 49,51                  |    |    |     |     |     |    |
| 050-2B | 140G30-2  | CAP COMPLETE                | <  | 1  |     |     |     |    |
| D10    |           | INC. 49,51                  |    |    |     |     |     |    |
| 051    | 813T75-8  | CAP LABEL                   |    | 1  | *   |     |     |    |
| 051-1  | 818H48-4  | CAP LABEL                   | <  | 1  |     |     |     |    |
| A01    | 158237-4  | GRIP 36 COMPLETE            |    | 1  |     |     |     |    |
| A02    | A-80656   | 研磨砂輪片 125MM (25P) WA36N-不鏽鋼 |    | 1  |     |     |     |    |
| A03    | 782423-1  | 板手35                        |    | 1  |     |     |     |    |
| A04A   | 198906-5  | WIRELESS UNIT SET           |    | 1  | *   |     |     |    |
| A04B   | 198906-5  | WIRELESS UNIT SET           |    | 1  | *   |     |     |    |
| A04-1A | 199393-1  | WIRELESS UNIT SET           |    | 1  |     |     |     |    |
| A04-1B | 199393-1  | WIRELESS UNIT SET           |    | 1  |     |     |     |    |
| A05B   | 450128-8  | 電池保護蓋                       |    | 1  |     |     |     |    |
| A05D   | 450128-8  | 電池保護蓋                       |    | 1  |     |     |     |    |
| A06B   | ***DC18RC | 充電器C/195582-6               |    | 1  |     |     |     |    |
| D10    |           | COMPO-PARTS                 |    |    |     |     |     |    |
| A06D   | ***DC18RC | 充電器C/195582-6               |    | 1  |     |     |     |    |

請訂購一個零件。

列印日期 2018/12/18

型號 DGA514 125MM CORDLESS ANGLE GRINDER

| 分解圖號 | 零件編號     | 品名              | 交換 | 數量 | N/O | 選擇1 | 選擇2 | 註記 |
|------|----------|-----------------|----|----|-----|-----|-----|----|
| D10  |          | COMPO-PARTS     |    |    |     |     |     |    |
| A07B | 197287-4 | 鋰電池 顯示型 BL1850B |    | 2  |     |     |     |    |
| A07D | 197287-4 | 鋰電池 顯示型 BL1850B |    | 2  |     |     |     |    |
| A08B | 821734-0 | PLASTIC CASE    |    | 1  |     |     |     |    |
| C10  | 162315-4 | 栓               |    | 2  |     |     |     |    |
| A08D | 821734-0 | PLASTIC CASE    |    | 1  |     |     |     |    |
| C10  | 162315-4 | 栓               |    | 2  |     |     |     |    |
|      |          |                 |    |    |     |     |     |    |
|      |          |                 |    |    |     |     |     |    |
|      |          |                 |    |    |     |     |     |    |
|      |          |                 |    |    |     |     |     |    |
|      |          |                 |    |    |     |     |     |    |
|      |          |                 |    |    |     |     |     |    |
|      |          |                 |    |    |     |     |     |    |
|      |          |                 |    |    |     |     |     |    |
|      |          |                 |    |    |     |     |     |    |
|      |          |                 |    |    |     |     |     |    |
|      |          |                 |    |    |     |     |     |    |
|      |          |                 |    |    |     |     |     |    |
|      |          |                 |    |    |     |     |     |    |
|      |          |                 |    |    |     |     |     |    |
|      |          |                 |    |    |     |     |     |    |
|      |          |                 |    |    |     |     |     |    |
|      |          |                 |    |    |     |     |     |    |
|      |          |                 |    |    |     |     |     |    |
|      |          |                 |    |    |     |     |     |    |
|      |          |                 |    |    |     |     |     |    |
|      |          |                 |    |    |     |     |     |    |
|      |          |                 |    |    |     |     |     |    |
|      |          |                 |    |    |     |     |     |    |
|      |          |                 |    |    |     |     |     |    |
|      |          |                 |    |    |     |     |     |    |
|      |          |                 |    |    |     |     |     |    |
|      |          |                 |    |    |     |     |     |    |
|      |          |                 |    |    |     |     |     |    |
|      |          |                 |    |    |     |     |     |    |
|      |          |                 |    |    |     |     |     |    |
|      |          |                 |    |    |     |     |     |    |
|      |          |                 |    |    |     |     |     |    |
|      |          |                 |    |    |     |     |     |    |
|      |          |                 |    |    |     |     |     |    |
|      |          |                 |    |    |     |     |     |    |
|      |          |                 |    |    |     |     |     |    |
|      |          |                 |    |    |     |     |     |    |
|      |          |                 |    |    |     |     |     |    |
|      |          |                 |    |    |     |     |     |    |
|      |          |                 |    |    |     |     |     |    |
|      |          |                 |    |    |     |     |     |    |

請訂購一個零件。